



# HPE6-A41<sup>Q&As</sup>

Applying Aruba Switching Fundamentals for Mobility

**Pass HP HPE6-A41 Exam with 100% Guarantee**

Free Download Real Questions & Answers **PDF** and **VCE** file from:

<https://www.passapply.com/hpe6-a41.html>

100% Passing Guarantee  
100% Money Back Assurance

Following Questions and Answers are all new published by HP Official Exam Center

-  **Instant Download** After Purchase
-  **100% Money Back** Guarantee
-  **365 Days** Free Update
-  **800,000+** Satisfied Customers





### QUESTION 1

Refer to the exhibit.

Exhibit 1.

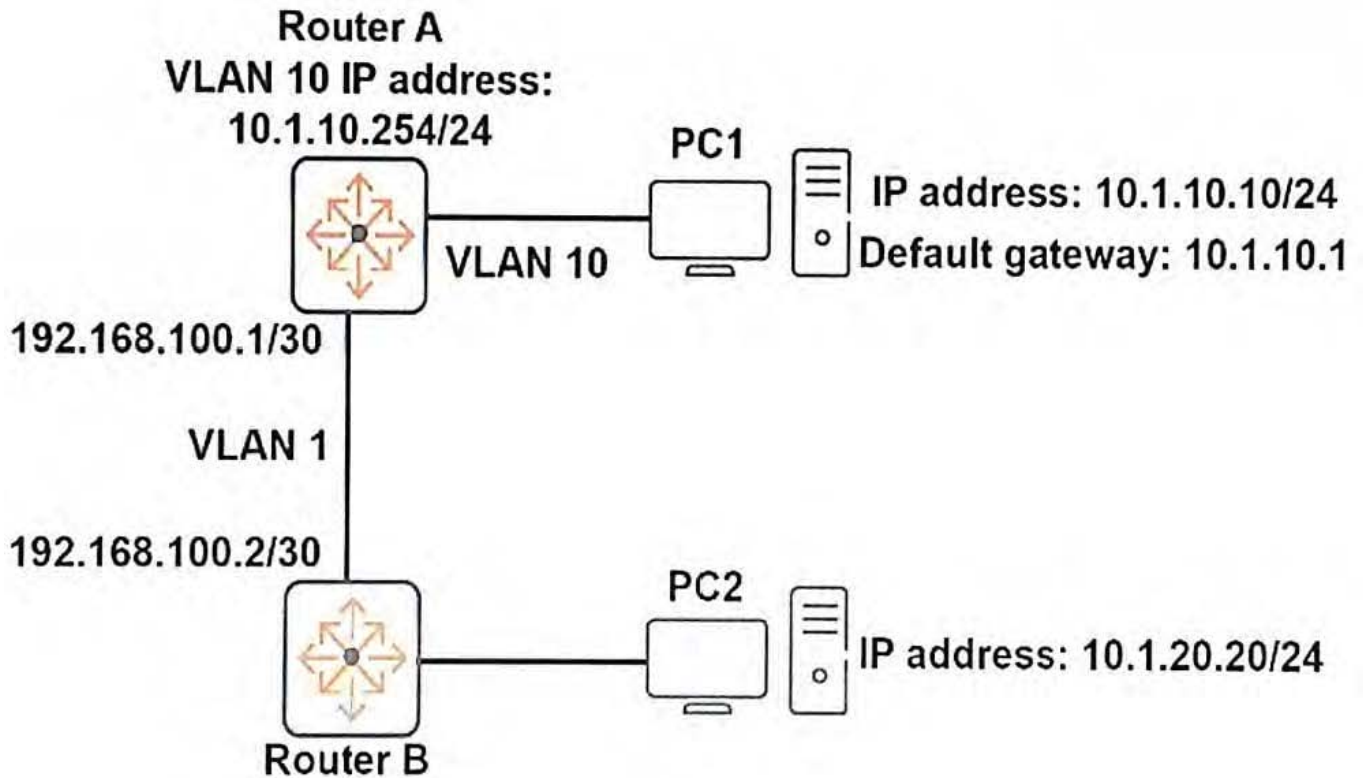


Exhibit 2.

```
Router A IP routing table
Destination Mask      Proto  NextHop      Interface
10.1.10.0/24         Direct 10.1.10.254  vlan10
10.1.20.0/24         Static 192.168.100.2 vlan1
192.168.100.0/30    Direct 192.168.100.1 vlan1
```

PC1 cannot reach PC2.

Based on the exhibits, what could be the cause of this issue?

- A. PC1 has the wrong IP address for its default gateway setting.
- B. Router A has a direct route, instead of a static route, to 10.1.10.0/24.
- C. The next hop address for the 10.1.20.0/24 route is incorrect.
- D. Router A has an invalid subnet mask for the VLAN 1 subnet.

Correct Answer: A



### QUESTION 2

A network administrator uses the console to access an ArubaOS core switch and wants to find the management IP address of another ArubaOS switch that is currently connected to port B1. Which information should the administrator review?

- A. interface with the use of the show interface command
- B. LLDP with the use of the show lldp info remote-device command
- C. ARP with the use of the show arp command
- D. device profile with the use of the show device-profile status command

Correct Answer: B

---

### QUESTION 3

A network administrator wants to disable physical interfaces 13-24 on an ArubaOS switch. How can the administrator do this?

- A. Assign the range of interfaces to a VLAN. Then, disable the VLAN.
- B. Create a named range for interfaces 13-24. Then, disable the named range.
- C. Create a named port group for interfaces 13-24. Then, disable the named port group.
- D. Use the interface disabl command. Specify 13-24 for the ID.

Correct Answer: D

---

### QUESTION 4

Which technology enables a network administrator to group users by logical function instead of physical location, reduce bandwidth waste by limiting broadcast traffic, and improve security by isolating users at Layer2?

- A. 802.1X
- B. SNMPv3
- C. VLANs
- D. Virtual Switching Framework (VSF)

Correct Answer: D

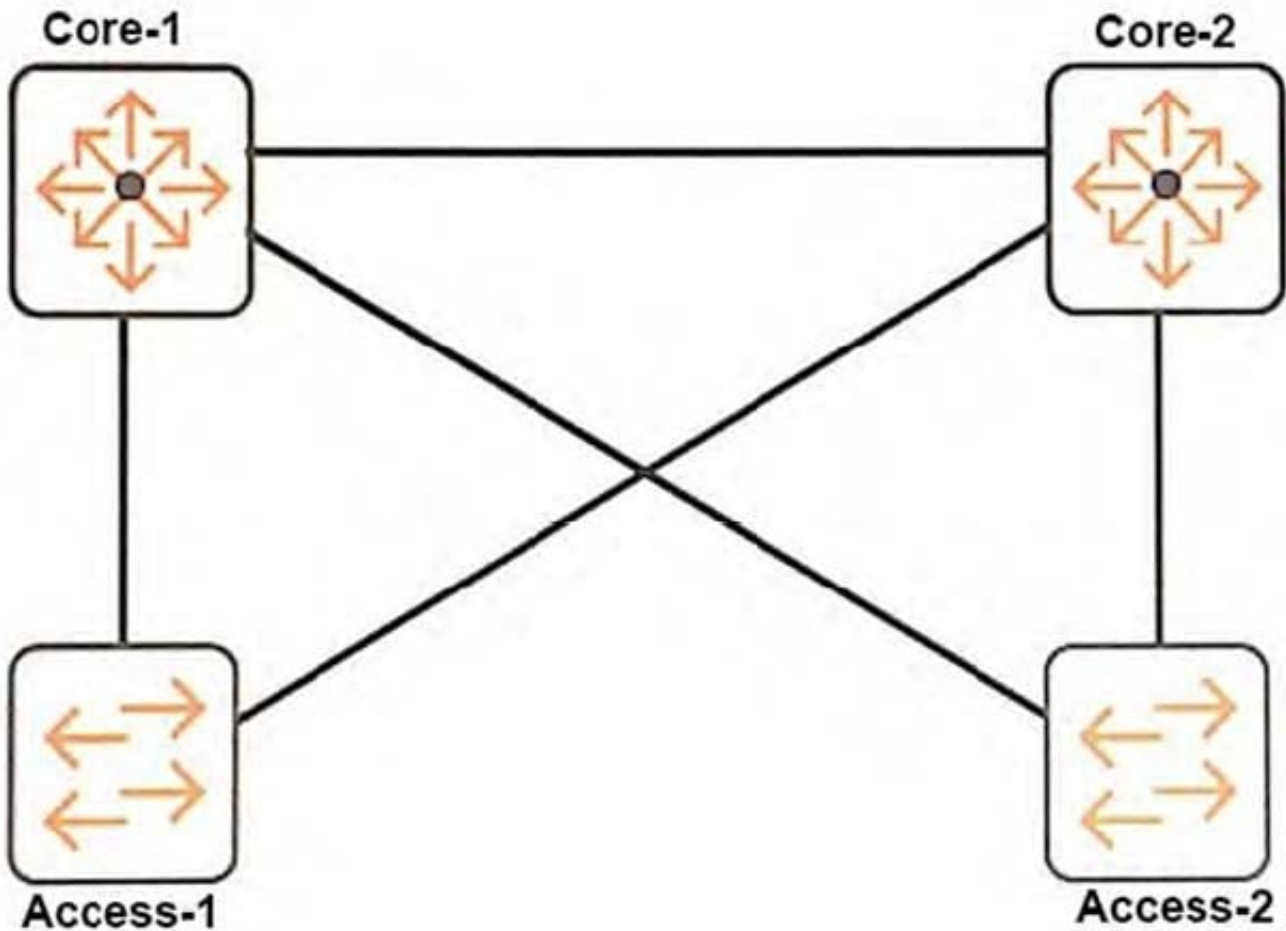
---

### QUESTION 5

Refer to the exhibits.



Exhibit 1 Exhibit 2



```
Core-1 spanning tree related config
#
spanning-tree
spanning-tree priority 0
```

```
All other switch spanning tree related config
#
spanning-tree
```

A network uses RSTP, as shown in the exhibits. The network administrator wants switches to use the link that connects to Core-2 to forward some of the traffic. The administrator enters these commands on every switch shown in the exhibit:

```
Switch(config)# spanning-tree config-name myswitches
Switch(config)# spanning-tree config-revision 1
Switch(config)# spanning-tree instance 1 vlan 10-19
Switch(config)# spanning-tree instance 2 vlan 20-29
```

The administrator then discovers that the links to Core-2 still did not forward any traffic. What should the administrator do to enable these links to carry traffic?



- A. Activate the MSTP region configuration on all switches.
- B. Lower the port cost on the links that connect to Core-2 on the access layer switches.
- C. Configure Core-2 with spanning tree priority 0 in instance 2.
- D. Change the spanning tree mode to MSTP on all switches.

Correct Answer: B

[Latest HPE6-A41 Dumps](#)

[HPE6-A41 PDF Dumps](#)

[HPE6-A41 Exam Questions](#)