



# HPE6-A41<sup>Q&As</sup>

Applying Aruba Switching Fundamentals for Mobility

## Pass HP HPE6-A41 Exam with 100% Guarantee

Free Download Real Questions & Answers **PDF** and **VCE** file from:

<https://www.passapply.com/hpe6-a41.html>

100% Passing Guarantee  
100% Money Back Assurance

Following Questions and Answers are all new published by HP Official Exam Center

-  **Instant Download** After Purchase
-  **100% Money Back** Guarantee
-  **365 Days** Free Update
-  **800,000+** Satisfied Customers





### QUESTION 1

Refer to the exhibit.

```
Switch# show spanning-tree 1, 19, 21 instance ist  
<-output omitted ->
```

Port	Type	Cost	Priority	Role	State	Designated Bridge
1	100/1000T	20000	128	Designated	Forwarding	d4c9ef-851680
19	100/1000T	20000	128	Root	Forwarding	d07e28-cec94f
21	1/1000T	20000	128	Alternate	Blocking	d07e28-ced31e

This switch currently assigns all VLANs to MSTP instance 0 or the Internal Spanning Tree (IST).

Which statement correctly describes interface 21?

- A. The interface is down at Layer 2; it is not available for sending or receiving any traffic.
- B. The interface does not forward or accept data traffic, but it is ready to start forwarding if interface 19 fails.
- C. The interface is an edge port but has received Bridge Protocol Data Units (BPDUs), so it is disabled.
- D. The interface does not support spanning tree; it is possible that it will introduce a loop in the network.

Correct Answer: B

### QUESTION 2

Refer to the exhibit.

Exhibit 1.

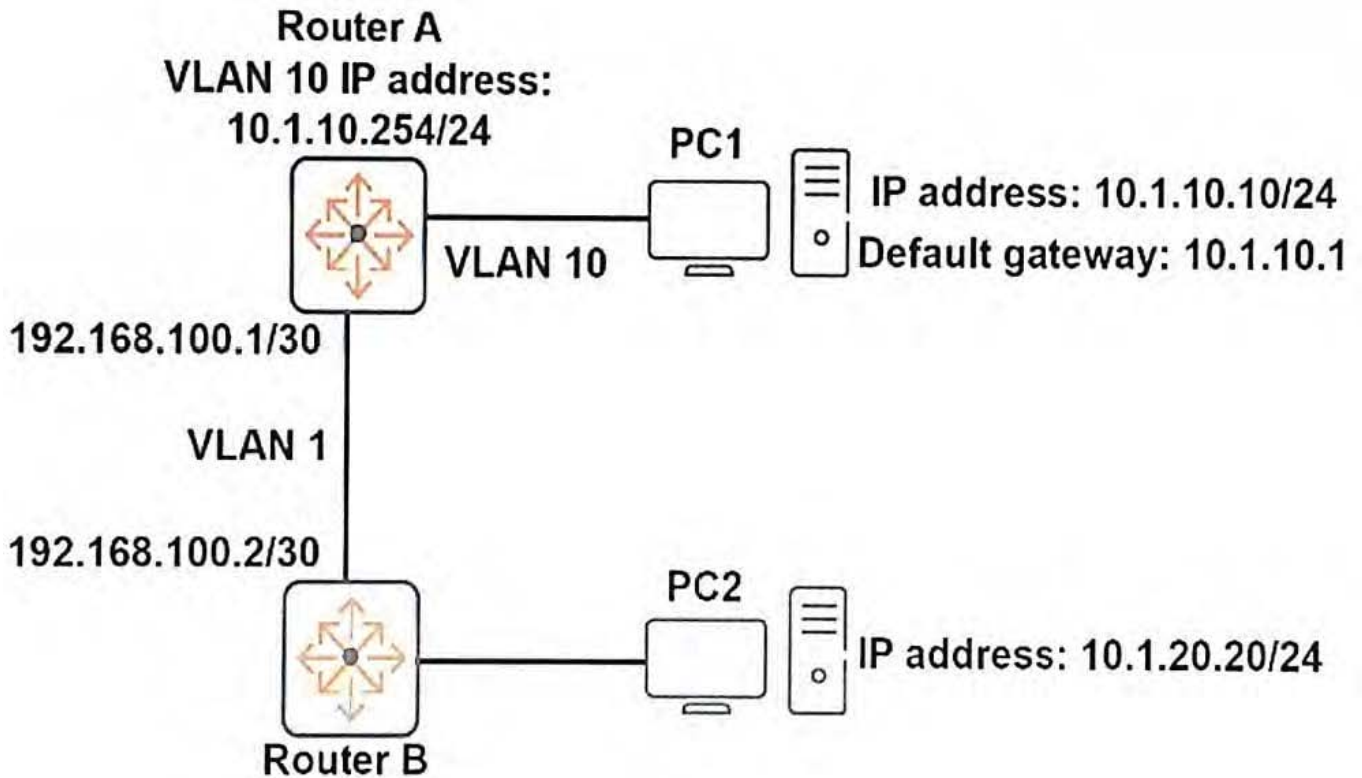


Exhibit 2.

Router A IP routing table			
Destination Mask	Proto	NextHop	Interface
10.1.10.0/24	Direct	10.1.10.254	vlan10
10.1.20.0/24	Static	192.168.100.2	vlan1
192.168.100.0/30	Direct	192.168.100.1	vlan1

PC1 cannot reach PC2.

Based on the exhibits, what could be the cause of this issue?

- A. PC1 has the wrong IP address for its default gateway setting.
- B. Router A has a direct route, instead of a static route, to 10.1.10.0/24.
- C. The next hop address for the 10.1.20.0/24 route is incorrect.
- D. Router A has an invalid subnet mask for the VLAN 1 subnet.

Correct Answer: A

### QUESTION 3

An ArubaOS switch operates at its factory default settings. A network administrator connects the switch to a VLAN with a DHCP server. The switch-to-switch connection carries untagged traffic. The administrator wants to use Telnet log in to the switch CLI.



How should the administrator contact the switch and log in?

- A. Contact the switch at its default IP address 172.16.0.254/24 and log in without entering a password.
- B. Contact the switch at its default IP address 192.168.1.1/24 and log in with the default password admin.
- C. Contact the switch at its DHCP-assigned IP address and log in without entering a password.
- D. Contact the switch at its DHCP-assigned IP address and log in with the default password aruba.

Correct Answer: C

---

#### QUESTION 4

A network administrator needs to configure a static route.

What should the administrator use as the next hop address?

- A. the lowest IP address on the neighboring router in the path towards its destination
- B. the IP address on the local interface that is used to egress traffic towards its destination
- C. the IP address of the default gateway in the destination subnet
- D. the IP address on the connected interface of a neighboring router in the path towards its destination

Correct Answer: D

---

#### QUESTION 5

A network administrator wants to disable physical interfaces 13-24 on an ArubaOS switch. How can the administrator do this?

- A. Assign the range of interfaces to a VLAN. Then, disable the VLAN.
- B. Create a named range for interfaces 13-24. Then, disable the named range.
- C. Create a named port group for interfaces 13-24. Then, disable the named port group.
- D. Use the interface disable command. Specify 13-24 for the ID.

Correct Answer: D

[Latest HPE6-A41 Dumps](#)

[HPE6-A41 Exam Questions](#)

[HPE6-A41 Braindumps](#)