



HPE2-Z39^{Q&As}

Fast Track - Applying Aruba Switching Fundamentals for Mobility

Pass HP HPE2-Z39 Exam with 100% Guarantee

Free Download Real Questions & Answers **PDF** and **VCE** file from:

<https://www.passapply.com/hpe2-z39.html>

100% Passing Guarantee
100% Money Back Assurance

Following Questions and Answers are all new published by HP Official Exam Center

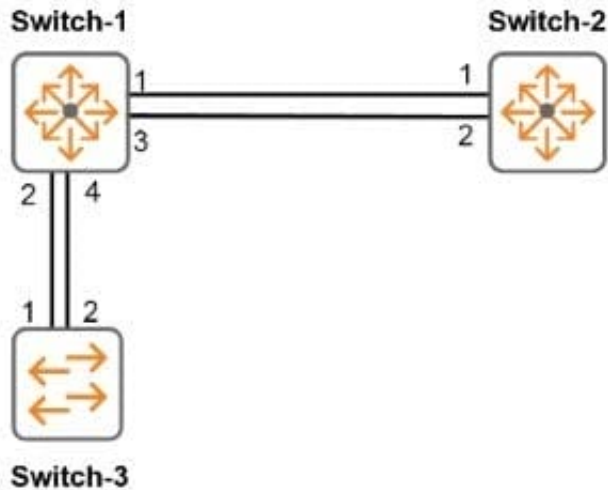
-  **Instant Download** After Purchase
-  **100% Money Back** Guarantee
-  **365 Days** Free Update
-  **800,000+** Satisfied Customers





QUESTION 1

Refer to the exhibit.



A network administrator enters these commands and misconfigures the link aggregations:

```
Switch-1(config)# trunk 1-2 trk1 lacp  
Switch-1(config)# trunk 3-4 trk2 lacp  
Switch-2(config)# trunk 1-2 trk1 lacp  
Switch-3(config)# trunk 1-2 trk1 lacp
```

Which behavior does Switch-1 exhibit on its link aggregations?

- A. It uses LACP to dynamically detect that ports 1 and 3 belong in trk 1, and ports 2 and 4 belong in trk2.
- B. It blocks one or both ports in each link aggregation due to errors detected by LACP.
- C. It sends an SNMP probe to Switch-2 and Switch-3 to determine whether it needs to shut down any of these ports.
- D. It load shares traffic on both ports in each LACP link aggregation, which leads to loops and network disruption.

Correct Answer: B

QUESTION 2

A company needs a modular switch that can be combined with another modular switch into a single logical fabric. Which ArubaOS switch series meets these criteria?

- A. Aruba 2930F Series
- B. Aruba 3800 Series
- C. Aruba 3810 Series
- D. Aruba 5400R Series

Correct Answer: A



QUESTION 3

An ArubaOS switch has an LACP link aggregation with two links. How does the switch balance traffic over the links?

- A. It assigns the first conversation (as defined by the load-balancing algorithm) to the first link, the second conversation to the second link, and so on, in a round-robin fashion.
- B. It assigns the first packet to the first link, the second packet to the second link, and so on, in a round-robin fashion.
- C. It assigns all traffic to the first link until the link reaches a bandwidth threshold; it then assigns traffic to the second link.
- D. It assigns each conversation (as defined by the load-balancing algorithm) to a consistent link, based on a hash.

Correct Answer: B

QUESTION 4

What is the purpose of the organization string that is set in the System > Admin settings of an Aruba Instant UI?

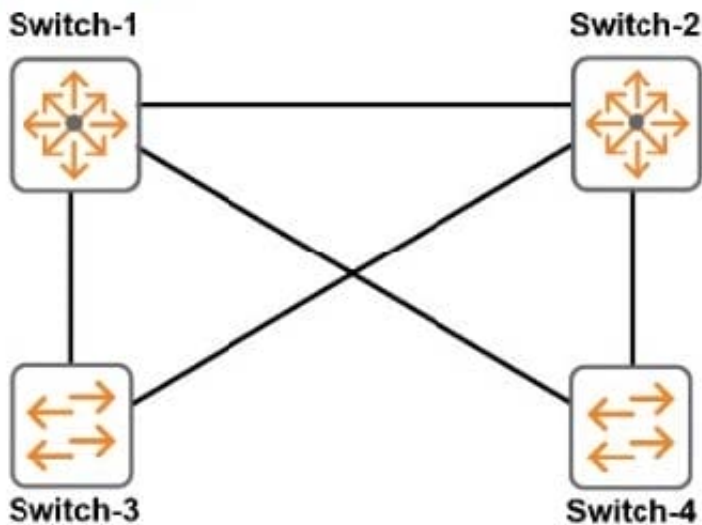
- A. It configures the SNMP credentials that Aruba AirWave uses to discover the cluster
- B. It directs the cluster to the proper Aruba Activate account for Zero Touch Provisioning (ZTP).
- C. It prevents unauthorized APs, which do not have the correct organization string, from joining the cluster.
- D. It defines the group and folder to which the Instant cluster should be assigned in Aruba AirWave.

Correct Answer: D

QUESTION 5



Refer to the exhibit.



All switches are ArubaOS switches that currently have the default spanning tree priority. Switch-1 should be the root of the spanning tree if Switch-1 fails. Switch-2 should become root

Which configuration for spanning tree priorities ensures this behavior?

- A. priority 15 on Switch-1 and priority 14 on Switch-2
- B. priority 0 on Switch-1 and priority 15 on Switch-2
- C. priority 0 on Switch-1 and priority 1 on Switch-2
- D. priority 15 on Switch-1 and priority 9 on Switch-2

Correct Answer: A

[HPE2-Z39 VCE Dumps](#)

[HPE2-Z39 Study Guide](#)

[HPE2-Z39 Braindumps](#)