



HPE0-V14^{Q&As}

Building HPE Hybrid IT Solutions

Pass HP HPE0-V14 Exam with 100% Guarantee

Free Download Real Questions & Answers **PDF** and **VCE** file from:

<https://www.passapply.com/hpe0-v14.html>

100% Passing Guarantee
100% Money Back Assurance

Following Questions and Answers are all new published by HP Official Exam Center

-  **Instant Download** After Purchase
-  **100% Money Back** Guarantee
-  **365 Days** Free Update
-  **800,000+** Satisfied Customers





QUESTION 1

DRAG DROP

A customer needs a new environment to support an ERP system. The sizing information you received shows the following requirements:

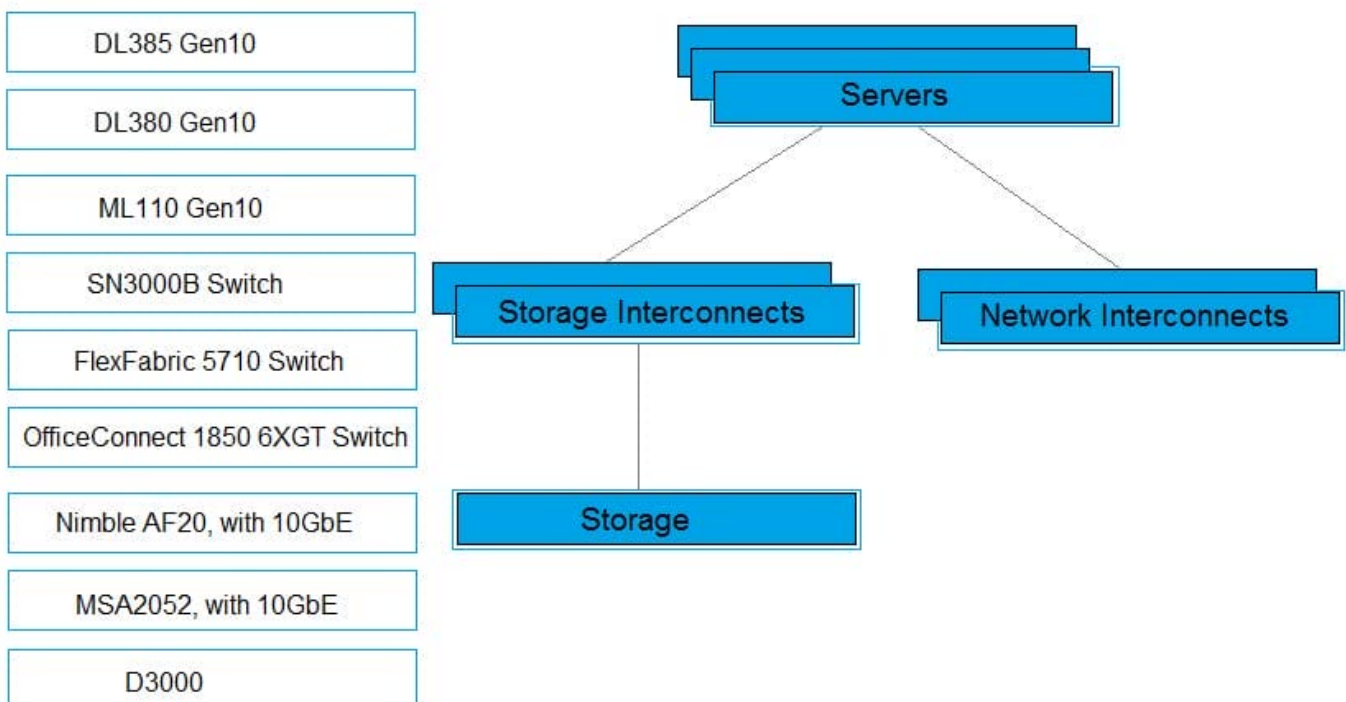
1.
3 servers with dual AMD processors, 256GB RAM, and 10Gb network connectivity
2.
10TB of high performance shared storage
3.
Cloud-based performance monitoring and analytics

The customer prefers rack mounted equipment.

Identify the components that will meet the customer requirements, then drag the correct components on the left to their appropriate location in the environment on the right.

Select and Place:

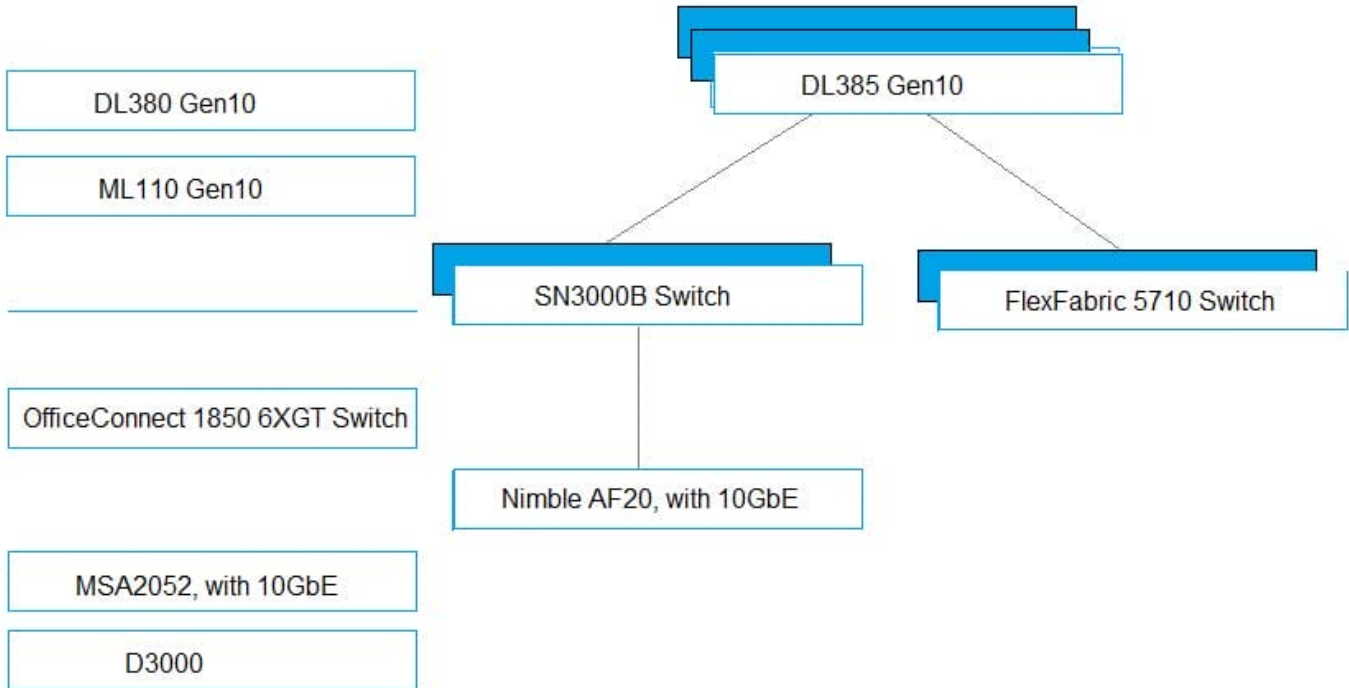
Answer Area



Correct Answer:



Answer Area



QUESTION 2

Which protocol verifies that the ports in common between two switches have compatible settings and removes the likelihood of a misconfigured aggregated link?

- A. RPVST+
- B. LACP
- C. GVRP
- D. 802.1q

Correct Answer: B

<https://support.hpe.com/hpesc/public/docDisplay?docId=c03152924> (LACP Priorities)

QUESTION 3

When is it appropriate for a customer to implement HPE OneView Standard?

- A. To manage multiple servers
- B. To monitor their services



- C. To enable the Advanced iLO license
- D. To update firmware

Correct Answer: B

Reference: <https://h20195.www2.hp.com/v2/GetPDF.aspx/c04111367.pdf>

QUESTION 4

Which HPE tool can securely erase current content of a server and help with consistent and easy operating system installation?

- A. HPE System Insight Manager
- B. HPE Intelligent Management Center (IMC)
- C. HPE OneView
- D. HPE Intelligent Provisioning

Correct Answer: D

QUESTION 5

You are designing a system for a customer that has a contract with a government agency. The contract requires the highest level of security algorithms possible.

Which HPE ProLiant Gen10 feature set will address this customer's needs?

- A. CNSA mode
- B. FIPS 140-2 mode
- C. high security mode
- D. production mode

Correct Answer: A

[HPE0-V14 VCE Dumps](#)

[HPE0-V14 Study Guide](#)

[HPE0-V14 Exam Questions](#)