



# H12-721<sup>Q&As</sup>

HCIP-Security-CISN V3.0

## Pass Huawei H12-721 Exam with 100% Guarantee

Free Download Real Questions & Answers **PDF** and **VCE** file from:

<https://www.passapply.com/h12-721.html>

100% Passing Guarantee  
100% Money Back Assurance

Following Questions and Answers are all new published by Huawei  
Official Exam Center

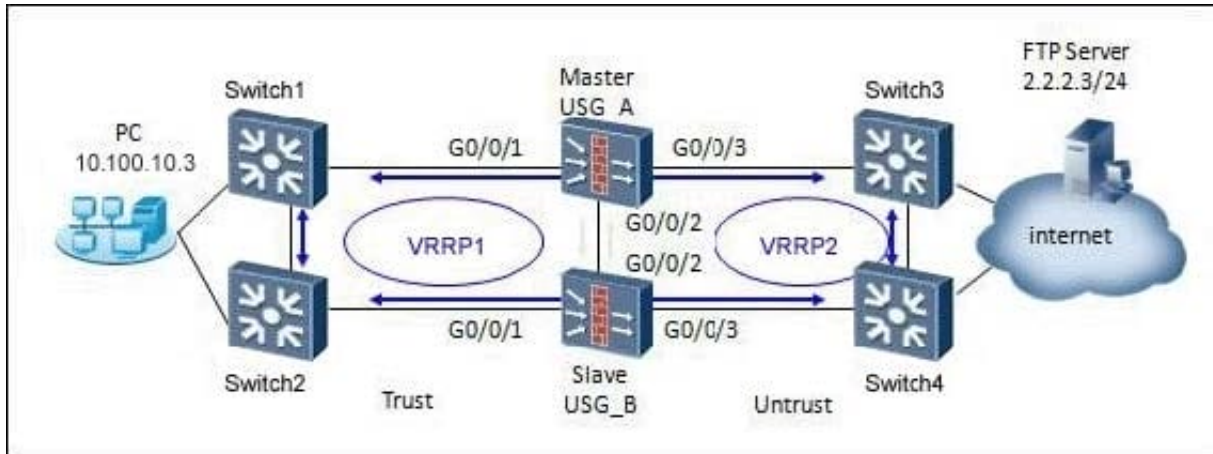
-  **Instant Download** After Purchase
-  **100% Money Back** Guarantee
-  **365 Days** Free Update
-  **800,000+** Satisfied Customers





### QUESTION 1

In the dual-system hot backup networking environment as shown in the standby firewall also need to configure NAT function, assuming that the external address of the VRRP backup group. NAT address pool and NAT Server in the same network segment. Which of the following configuration needs to be on the Server? (choose two answers)



- A. HRP\_M [USG\_A] nat address-group 1 2.2.2.5 2.2.2.6 vrrp 1
- B. HRP\_M [USG\_A] nat address-group 1 2.2.2.5 2.2.2.6 vrrp 2
- C. HRP\_M [USG\_A] nat server global 2.2.2.10 inside 10.100.10.3 vrrp 2
- D. HRP\_M [USG\_A] nat server global 2.2.2.10 inside 10.100.10.3 vrrp 1

Correct Answer: BC

### QUESTION 2

USG remote capture device configuration functions in a way that the device can grab packets downloaded to the device. Users can download to a local service via FTP and use Firewall Packetizer to analyze packet.

- A. TRUE
- B. FALSE

Correct Answer: A

### QUESTION 3

With Blacklist, which part of the packets are examined to determine there is an attack?

- A. The source address
- B. destination address



C. Source Port

D. destination port

Correct Answer: A

---

#### QUESTION 4

When using digital certificates for authentication in IPsec VPN, it should adopt IKE main mode negotiation and validation of certificate is completed in the 5th 6th packet of the packet exchange.

A. TRUE

B. FALSE

Correct Answer: A

---

#### QUESTION 5

Malformed packet attack techniques would use some legitimate data packets; these packets are of a legitimate application type.

A. TRUE

B. FALSE

Correct Answer: B

[Latest H12-721 Dumps](#)

[H12-721 PDF Dumps](#)

[H12-721 VCE Dumps](#)