



H12-261^{Q&As}

HCIE-Routing & Switching (Written) V3.0

Pass Huawei H12-261 Exam with 100% Guarantee

Free Download Real Questions & Answers **PDF** and **VCE** file from:

<https://www.passapply.com/h12-261.html>

100% Passing Guarantee
100% Money Back Assurance

Following Questions and Answers are all new published by Huawei
Official Exam Center

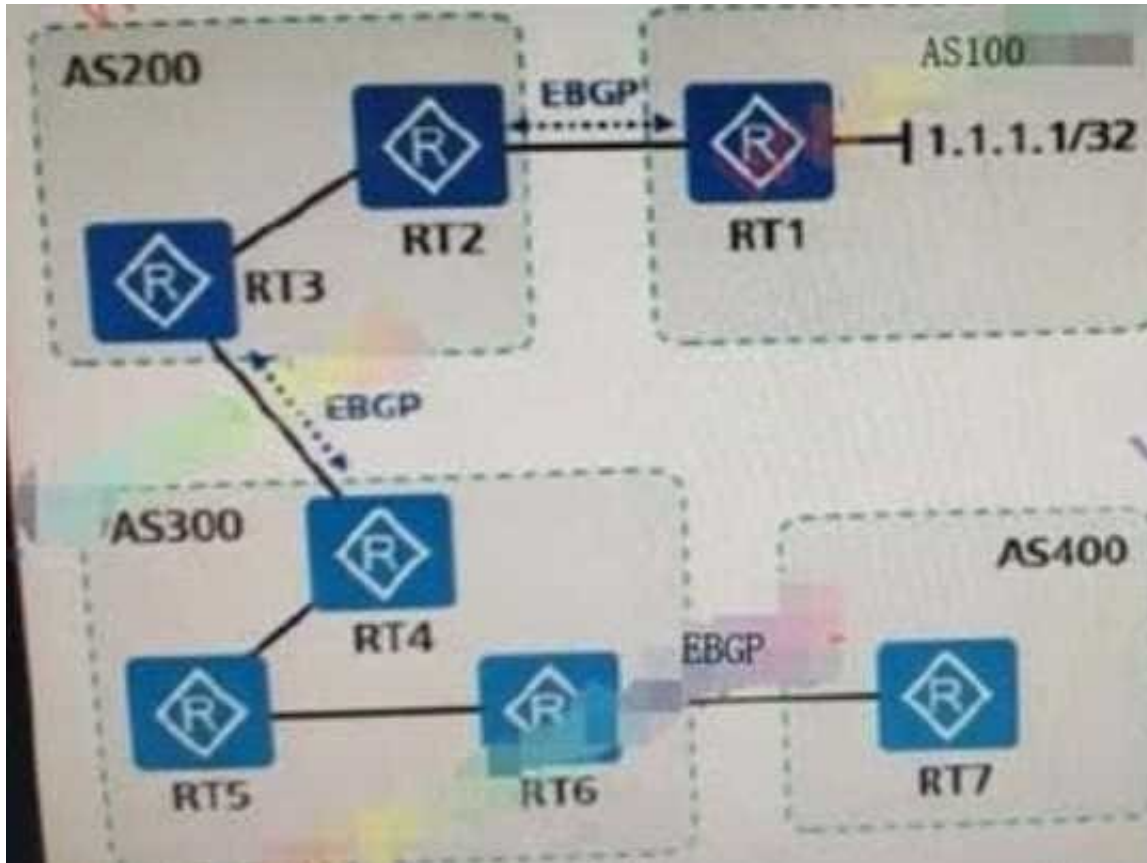
-  **Instant Download** After Purchase
-  **100% Money Back** Guarantee
-  **365 Days** Free Update
-  **800,000+** Satisfied Customers





QUESTION 1

As shown in the following topology, establish a phase relationship, and receive the AS400 AS100 1.1.1.1/32 AS-Path routing network. What is the attribute?



- A. 100 200 300
- B. 400 300 200 100
- C. 100 200 300 400
- D. 300 200 100

Correct Answer: D

QUESTION 2

An MSTP switch considers an RSTP switch to be an MSTP region that consists of only one switch and parses RST BPDUs into MST BPDUs, in which IRPC is 0.

- A. TRUE
- B. FALSE

Correct Answer: A



QUESTION 3

The following is true for the VXLAN?

- A. External destination IP VXLAN VTEP IP address is the address of the tunnel end
- B. Source port number is UDP 4789
- C. Purpose The port number is UDP 4789
- D. VNI 24, VLAN has bits for distinguishing segments

Correct Answer: ACD

QUESTION 4

To deploy multicast video applications on your private internal network, you need to use private multicast IP addresses on the network.

Which range of IP addresses can be used?

- A. 226.0.0.0 ?226.255.255.255
- B. 241.0.0.0 ?241.255.255.255
- C. 224.0.0.0 ?224.255.255.255
- D. 239.0.0.0 ?239.255.255.255
- E. 240.0.0.0 ?254.255.255.255

Correct Answer: D

QUESTION 5

Which of the following statements regarding the VXLAN gateway is false?

- A. VXLAN Layer 3 gateways can be classified into centralized and distributed gateways.
- B. VXLAN Layer 3 gateways allow inter-subnet VXLAN communication and access to external networks.
- C. VXLAN Layer 2 gateways are bound to VPN instances.
- D. VXLAN Layer 2 gateways enable tenants to access VXLAN and are used for communication between subnets on the same VXLAN.

Correct Answer: D

Reference: <https://support.huawei.com/enterprise/it/doc/EDOC1000180270/f334b5b3/gatewayclassification>



VCE & PDF

PassApply.com

<https://www.passapply.com/h12-261.html>

2024 Latest passapply H12-261 PDF and VCE dumps Download

[H12-261 VCE Dumps](#)

[H12-261 Practice Test](#)

[H12-261 Braindumps](#)