



E05-001^{Q&As}

Information Storage and Management v3

Pass EMC E05-001 Exam with 100% Guarantee

Free Download Real Questions & Answers **PDF** and **VCE** file from:

<https://www.passapply.com/e05-001.html>

100% Passing Guarantee
100% Money Back Assurance

Following Questions and Answers are all new published by EMC
Official Exam Center

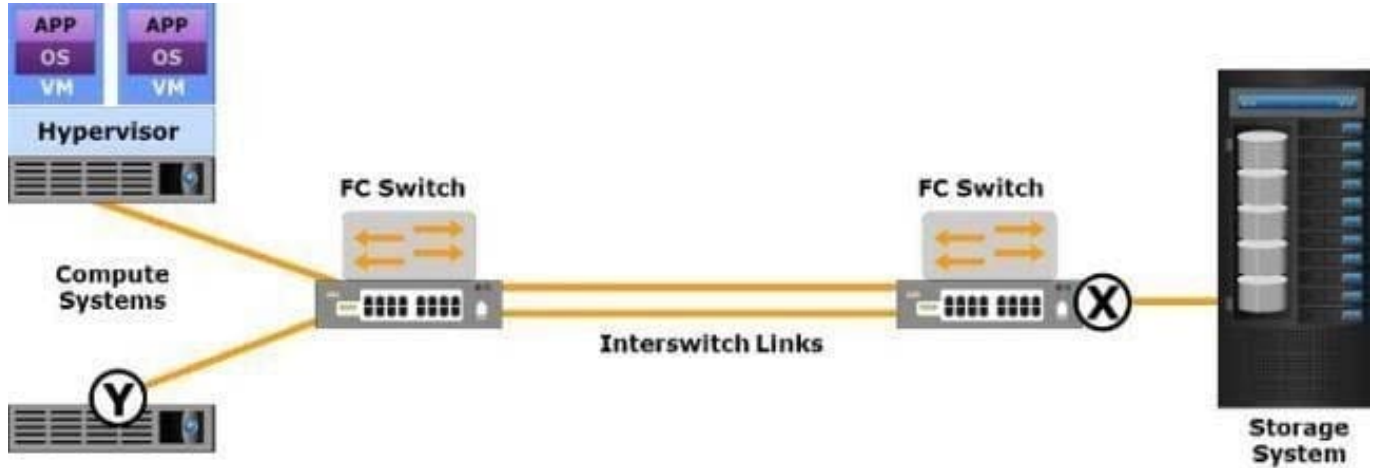
-  **Instant Download** After Purchase
-  **100% Money Back** Guarantee
-  **365 Days** Free Update
-  **800,000+** Satisfied Customers





QUESTION 1

Which type of Fibre Channel (FC) ports do the labels "X" and "Y" represent in the exhibit?



- A. X is an E_Port and Y is an F_Port
- B. X is an F_Port and Y is an N_Port
- C. X is an N_Port and Y is an E_Port
- D. X is an N_Port and Y is an F_Port

Correct Answer: B

QUESTION 2

What is an advantage of the changed block tracking backup technique?

- A. Reduces the backup window
- B. Enables restoration to any point-in-time
- C. Eliminates the need for data deduplication
- D. Increases backup device performance

Correct Answer: A

QUESTION 3

What is an accurate statement about a logical volume in a compute system?

- A. Can span across multiple physical volumes
- B. Can only be created from a single physical volume



- C. Must be created across multiple volume groups
- D. Allows multiple file systems to run concurrently

Correct Answer: A

QUESTION 4

Which process uses a file-level storage tiering technique to perform policy-based data movement?

- A. Archiving
- B. Deduplication
- C. Replication
- D. Backup

Correct Answer: A

QUESTION 5

In a copy on first access (CoFA) technique, when is data copied from the source to the target?

- A. All writes are issued to a location on the source
- B. All writes are issued to a location on the target
- C. A read or write is issued for the first time to a location on the target
- D. A read is issued for the first time from a location on the source

Correct Answer: C

[Latest E05-001 Dumps](#)

[E05-001 VCE Dumps](#)

[E05-001 Braindumps](#)