



DEA-1TT4^{Q&As}

Information Storage and Management v4 exam

Pass Dell DEA-1TT4 Exam with 100% Guarantee

Free Download Real Questions & Answers **PDF** and **VCE** file from:

<https://www.passapply.com/dea-1tt4.html>

100% Passing Guarantee
100% Money Back Assurance

Following Questions and Answers are all new published by Dell Official Exam Center

-  **Instant Download** After Purchase
-  **100% Money Back** Guarantee
-  **365 Days** Free Update
-  **800,000+** Satisfied Customers





QUESTION 1

What is an accurate statement about Governance?

- A. Restrict access to certain users
- B. Ensure removal of security risks
- C. Authorize policy-making decisions
- D. Demonstrate adherence to policies

Correct Answer: C

QUESTION 2

What accurately describes an iSCSI HBA?

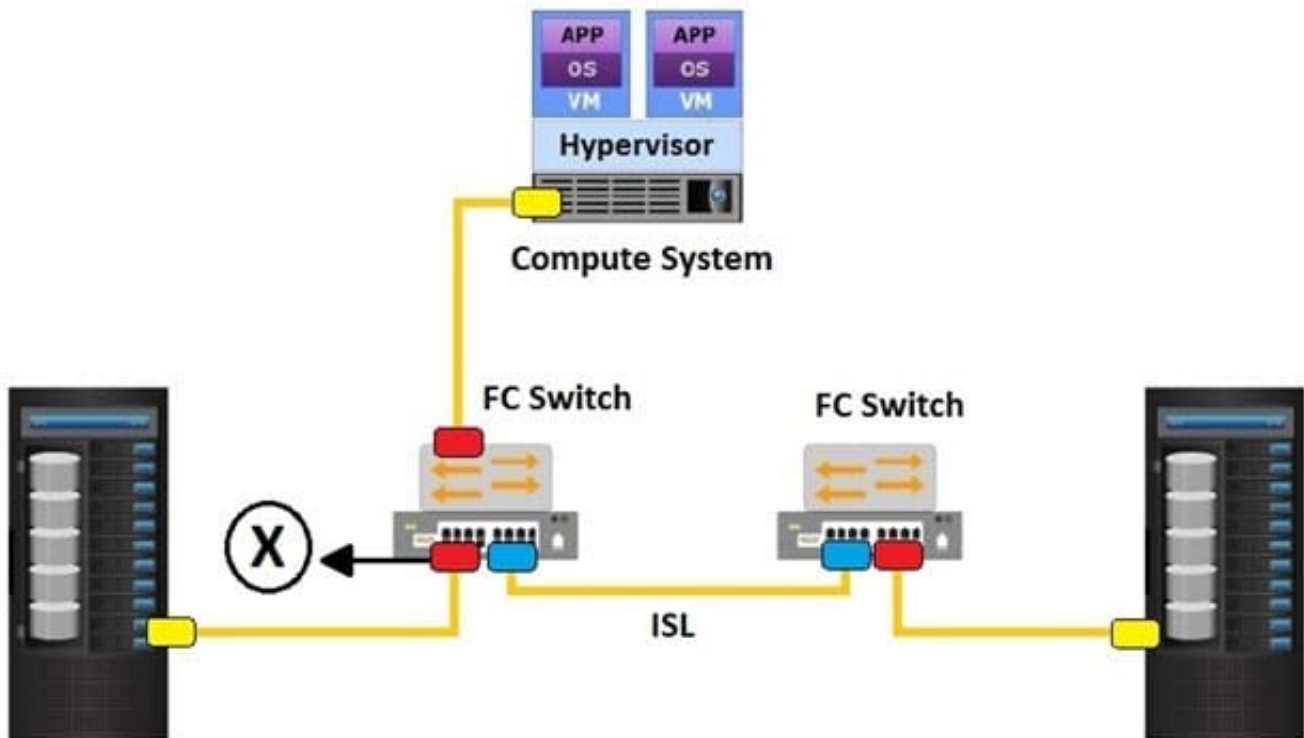
- A. Performs both iSCSI and TCP/IP processing
- B. Requires CPU cycles for TCP/IP processing
- C. Requires a software adapter with built-in functionality
- D. Enables transmission of data through iSCSI tunneling

Correct Answer: A

Reference: <https://www.dell.com/downloads/global/power/ps4q09-20090419-McConnell.pdf>

QUESTION 3

What does the "X" represent in the exhibit?



- A. E_port
- B. F_port
- C. N_port
- D. NL_port

Correct Answer: C

QUESTION 4

DRAG DROP

To authenticate a user using OpenID authentication control, what are the correct sequence of steps?

Select and Place:



User provides consent to profile sharing
User sends a login request using OpenID
Authentication response is redirected to the organization providing the services
Authentication request is redirected to an OpenID provider

STEP 1
STEP 2
STEP 3
STEP 4

Correct Answer:

User sends a login request using OpenID
Authentication request is redirected to an OpenID provider
Authentication response is redirected to the organization providing the services
User provides consent to profile sharing

QUESTION 5

Which data archiving component scans primary storage to find the files that meet the archiving policy?

- A. Archive storage
- B. Archive database server
- C. Archive agent
- D. Archive stub file

Correct Answer: A

[Latest DEA-1TT4 Dumps](#)

[DEA-1TT4 Study Guide](#)

[DEA-1TT4 Exam Questions](#)