



C9550-605^{Q&As}

IBM WebSphere Enterprise Service Bus V7.0 Integration Development

Pass IBM C9550-605 Exam with 100% Guarantee

Free Download Real Questions & Answers **PDF** and **VCE** file from:

<https://www.passapply.com/c9550-605.html>

100% Passing Guarantee
100% Money Back Assurance

Following Questions and Answers are all new published by IBM Official Exam Center

-  **Instant Download** After Purchase
-  **100% Money Back** Guarantee
-  **365 Days** Free Update
-  **800,000+** Satisfied Customers





QUESTION 1

An application containing a mediation flow has been deployed to a server. During runtime various faults are being seen in the server logs and the development team has been asked to investigate this issue.

On examination of the server logs, the team is having trouble locating where exactly in the flow the problems are occurring as the errors seem to be different each time. Examination of the mediation flow in WebSphere Integration Developer has shown that the flow currently does not have any error handling contained within it.

How should the developers BEST proceed in order to improve the flow error handling and to aid the debugging process following deployment?

- A. Use the Message Logger primitive to log messages so they can be examined.
- B. Use the Custom Mediation primitive to output extra logging information about the flow.
- C. Ensure that the Quality of Service transaction setting for the flow is set to Global.
- D. Ensure the fail terminal of each primitive is wired with a Fail primitive containing a description

Correct Answer: B

QUESTION 2

An integration developer is working with a set of business objects using the business object editor and notices a lock mark associated with a business object.

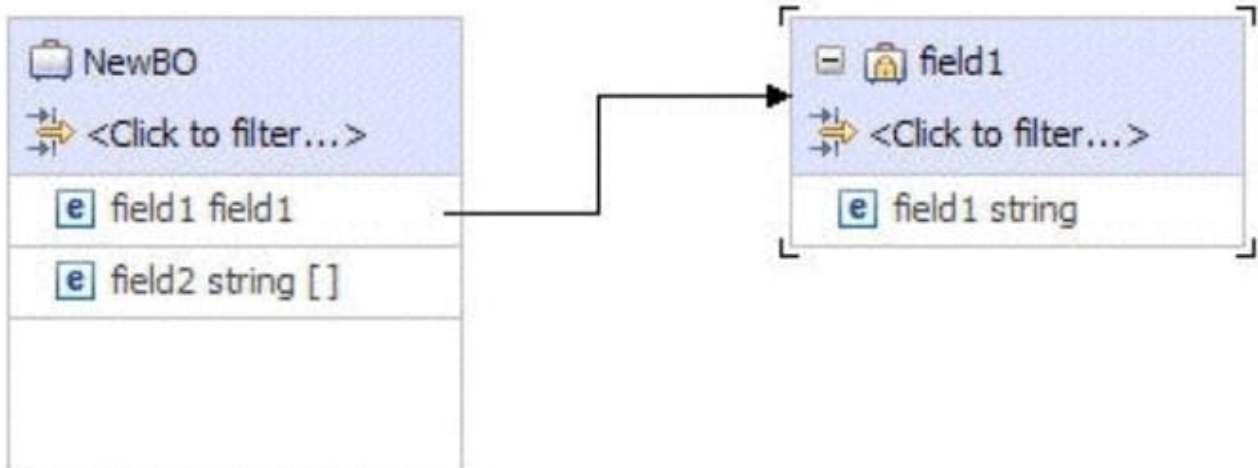
What does the lock mark associated with the field business object in the Exhibit indicate?



Business object

Configuration

Definition



- A. The field1 business object is private.
- B. The field1 business object is abstract.
- C. The field1 business object has not been defined.
- D. The field1 business object is invalid because the object name conflicts with the attribute name.

Correct Answer: A

QUESTION 3

An integration developer wants to use the Component Test Explorer to manage and run test cases that have been deployed to a server. Which of the following activities can the integration developer perform?

- A. Create a test suites without test cases.
- B. Manage dependencies for component test projects.
- C. Generate and export ant test scripts to be used for test automation.
- D. Schedule specific times to automatically run one or more component test projects, test suites, or test cases.
- E. Query and display component test project, test suites, and test cases that have been deployed on the server.

Correct Answer: DE



QUESTION 4

An integration developer is designing an XML map and must transform the first two address lines from the source to the addressLine1 and addressLine2 elements in the target. The source address lines are defined in an array called "addressLines". Which of the following would be the most appropriate way to perform the transformation?

- A. Move from addressLines to addressLine1 and set the Input array indices to 0Move from addressLines to addressLine2 and set the Input array indices to 1
- B. Move from addressLines to addressLine1 and set the Input array indices to 1Move from addressLines to addressLine2 and set the Input array indices to 2
- C. For each from addressLines to addressLine1 and set the Input array indices to 0For each from addressLines to addressLine2 and set the Input array indices to 1
- D. For each from addressLines to addressLine1 and set the Input array indices to 1For each from addressLines to addressLine2 and set the Input array indices to 2

Correct Answer: B

QUESTION 5

An integration developer would like to preserve the breakpoints created during the debugging process. What action should the integration developer take?

- A. Save the breakpoints with the SCA component.
- B. Save the breakpoints with the component instance.
- C. Export the breakpoints to the local file system.
- D. Export the breakpoints to a project interchange file with the SCA component.

Correct Answer: B

[Latest C9550-605 Dumps](#)

[C9550-605 Practice Test](#)

[C9550-605 Study Guide](#)