



C9550-412^{Q&As}

IBM Business Process Management Express or Standard Edition
V8.5.5, BPM Application Development

Pass IBM C9550-412 Exam with 100% Guarantee

Free Download Real Questions & Answers **PDF** and **VCE** file from:

<https://www.passapply.com/c9550-412.html>

100% Passing Guarantee
100% Money Back Assurance

Following Questions and Answers are all new published by IBM Official
Exam Center

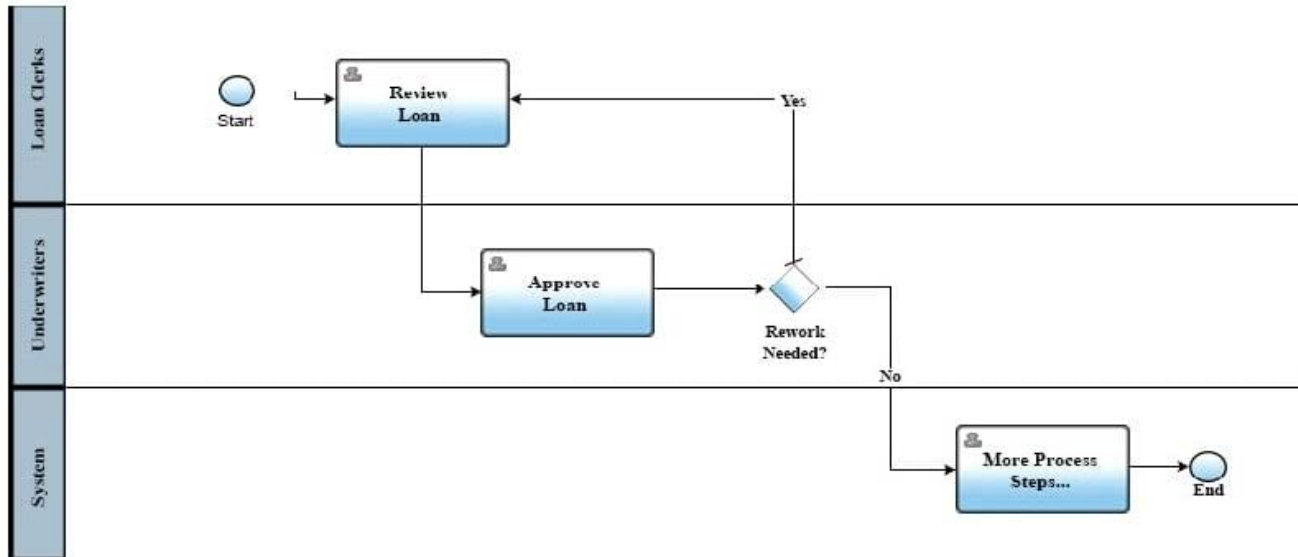
-  **Instant Download** After Purchase
-  **100% Money Back** Guarantee
-  **365 Days** Free Update
-  **800,000+** Satisfied Customers





QUESTION 1

A bank is implementing a new loan request process as shown in the following Business Process Definition (BPD):



The bank has analyzed the process and determined that rework happens 80% of the time. Interviews of the loan clerks who perform the review loan step show that the work to review the loan is complicated, and that help from more

experienced clerks would benefit the less experienced clerks and reduce the amount of rework required. The bank has done some research to identify the list of their most experienced loan clerks and requires the less experienced loan clerks

to use the collaboration feature to get help from the more experienced clerks that are available.

What actions should the BPM application developer take to meet this requirement?

- A. Use a team filter service to add the list of experienced users to the Loan Clerks team.
- B. Use a team retrieval service to add the list of experienced users to the Loan Clerks team.
- C. Add the list of experienced clerks to a new team and assign the new team as an expert team on the Review Loan task.
- D. Add the list of experienced clerks to a new team and assign the new team as a managers team of the Loans Clerks team.

Correct Answer: B

QUESTION 2

A BPM application developer is reviewing a business process built by a colleague. The process is an application that uses business objects based on an industry standard data model and uses several integrations to back end systems that also use that data model.



The process has been through a pre-production test cycle and is not performing well. The main area of concern is with the BPM client side Human Service where the coaches take too long to appear in the browser when the task is claimed.

Which of the following BPM factors should the BPM application developer include in their review of the badly performing Client Side Human Services? (choose 2)

- A. Execution of complex validation services
- B. Boundary events associated with services
- C. Size of business objects bound to Coach Views
- D. Size and number of complex variables passed to each client side human service
- E. The number of intermediate events associated with each client side human service

Correct Answer: CE

QUESTION 3

A BPM Application developer is migrating a process application developed in a version of IBM Business Process Manager prior to V8.0 to V8.5.5. Once the migration is complete, how can the BPM application developer take advantage of the new BPM V8.5.5 client-side human services capabilities?

- A. Convert the heritage human services that use runtime collaborations to client-side human-services.
- B. Replace the existing heritage human services with client-side human services and reuse the existing heritage coaches.
- C. Replace some of the heritage human services that have performance issues related to too many server-side calls with client-side human services.
- D. Reuse the heritage human services server-side script initialization syntax for complex variables in the client-side script of the client-side human services

Correct Answer: D

QUESTION 4

During the current playback phase, the BPM application developer is creating the to-be business process definition for a process application. Which playback phase is the BPM application developer currently in?

- A. Playback 0.
- B. Playback 1.
- C. Playback 2.
- D. Playback 3.

Correct Answer: A

**QUESTION 5**

Within a tree-production process a legacy system must be integrated, which provides the rim sizes for each available tree. All exceptions are handled in similar manner "except for the tree" not found exception with the error code "TR001". How does a BPM application developer implement the exception handling? The BPM application developer must:

- A. Log the input and output values within the pre and post statements of the integration service.
- B. Add a catch event to the integration service.
- C. Add a specific catch for "TR001" to the artifact within the integration service.
- D. Add a specific catch for "TR001" and an unspecified catch for other exceptions to the artifact within the integration service.

Correct Answer: C

[Latest C9550-412 Dumps](#)

[C9550-412 Study Guide](#)

[C9550-412 Exam Questions](#)