



OMG-OCUP-200^{Q&As}

OMG-Certified UML Professional Intermediate Exam

Pass OMG OMG-OCUP-200 Exam with 100% Guarantee

Free Download Real Questions & Answers **PDF** and **VCE** file from:

<https://www.passapply.com/omg-ocup-200.html>

100% Passing Guarantee
100% Money Back Assurance

Following Questions and Answers are all new published by OMG
Official Exam Center

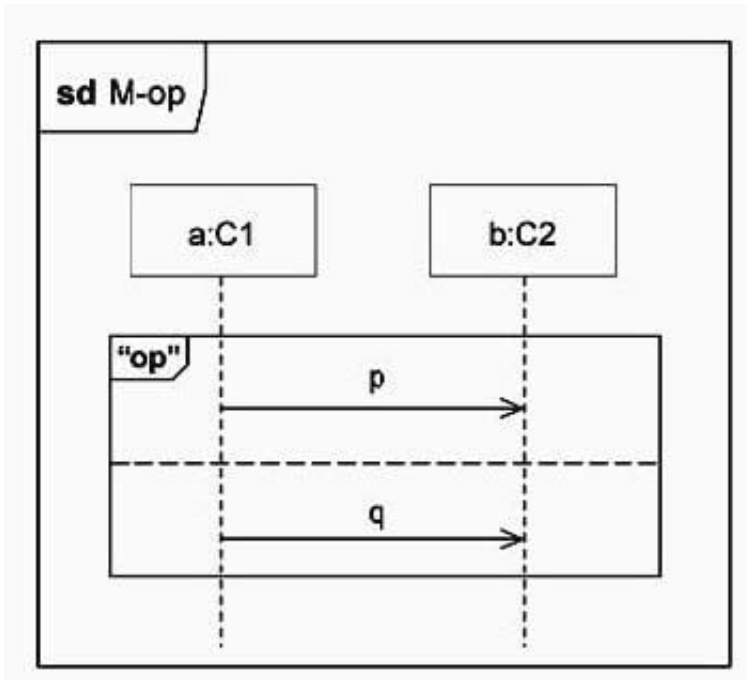
-  **Instant Download** After Purchase
-  **100% Money Back** Guarantee
-  **365 Days** Free Update
-  **800,000+** Satisfied Customers





QUESTION 1

Assume !x means sending message x and ?x means receiving message x. Which operator should replace the text "op" in the combined fragment such that is a valid trace.



- A. alt
- B. par
- C. loop
- D. rem
- E. critical

Correct Answer: B

QUESTION 2

What is a combined fragment?

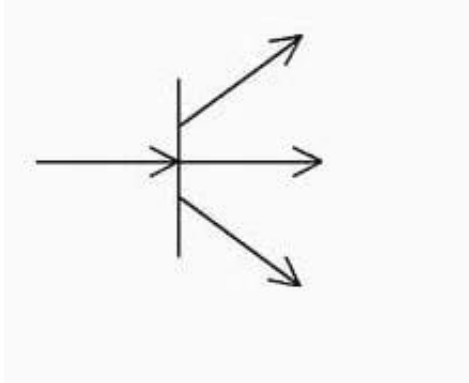
- A. the combination of decomposed lifelines
- B. an interaction occurrence covering more than one lifeline
- C. a construct with interaction operands and an interaction operator
- D. more than one interaction combined in an interaction overview diagram

Correct Answer: C



QUESTION 3

In the exhibit, if the incoming arrow provides a value, how many of the outgoing arrows will be given values?

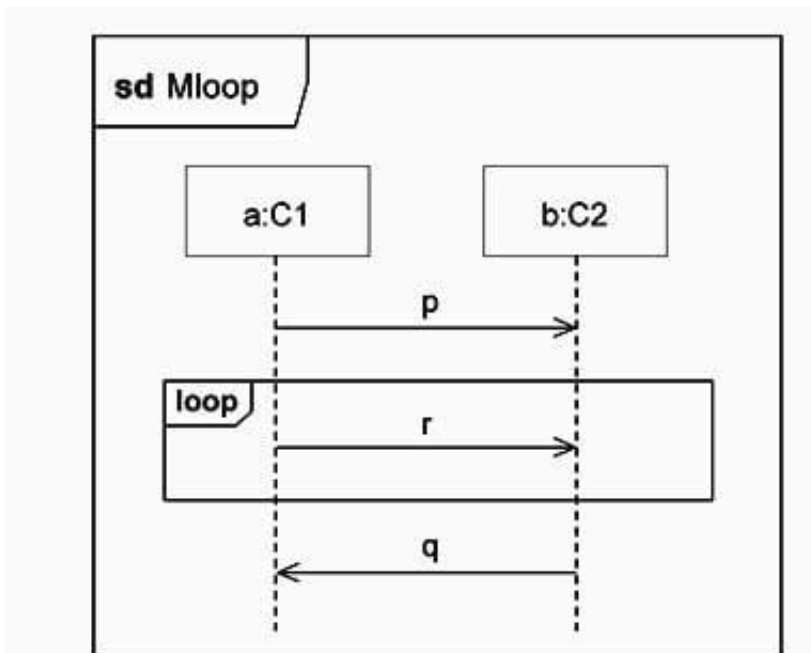


- A. none
- B. one
- C. two
- D. three

Correct Answer: D

QUESTION 4

Assume !p denotes sending of p, ?p the reception of p. In the exhibit, what traces are valid? (Choose three)





- A.
- B.
- C.
- D.
- E.
- F.

Correct Answer: ABE

QUESTION 5

What is NOT true about a roles and role bindings?

- A. A role binding is an association.
- B. The same object may play roles in multiple collaborations.
- C. A role binding maps a connectable element to a role in a collaboration occurrence.
- D. The same connectable element may be bound to multiple roles in a single collaboration occurrence.
- E. A role typed by an interface specifies a set of features required by a participant in a collaboration.

Correct Answer: A

[OMG-OCUP-200 VCE
Dumps](#)

[OMG-OCUP-200 Study
Guide](#)

[OMG-OCUP-200
Braindumps](#)