



HP2-Z30^{Q&As}

Fast Track - Applying HP FlexNetwork Fundamentals

Pass HP HP2-Z30 Exam with 100% Guarantee

Free Download Real Questions & Answers **PDF** and **VCE** file from:

<https://www.passapply.com/hp2-z30.html>

100% Passing Guarantee
100% Money Back Assurance

Following Questions and Answers are all new published by HP Official Exam Center

-  **Instant Download** After Purchase
-  **100% Money Back** Guarantee
-  **365 Days** Free Update
-  **800,000+** Satisfied Customers





QUESTION 1

Which task should a network administrator include in the creation of an upgrade policy?

- A. Update network management software before deploying upgrades to network switches.
- B. Make a copy of the original operating system.
- C. Test the upgrade on a core switch.
- D. Read the release notes of the original operating system.

Correct Answer: B

QUESTION 2

Which action can be performed from an HP Comware switch?

- A. Execute the super command to change privilege levels.
- B. Execute the startup-default command to define the configuration file to load upon bootup.
- C. Execute the show flash command to examine the operating systems stored in flash.
- D. Execute the boot set-default flash command to define the default operating system to load.

Correct Answer: A

QUESTION 3

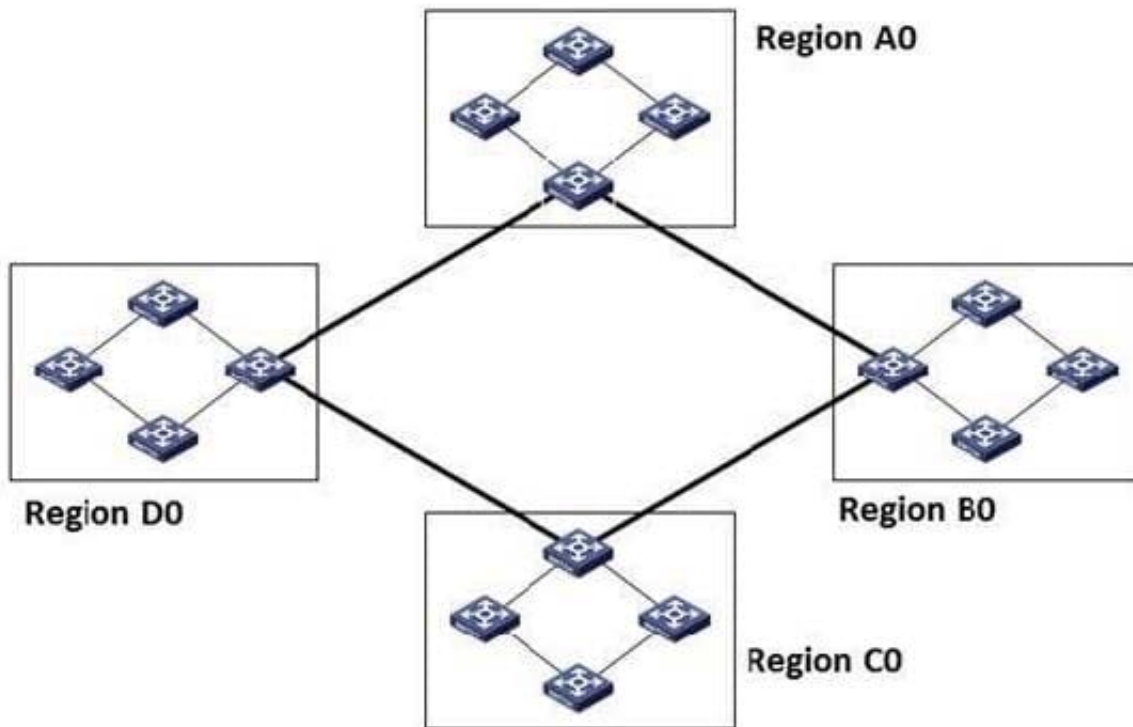
Which management protocol is enabled, by default, on HP Provision switches?

- A. Syslog
- B. SSH
- C. SNMP
- D. NTP

Correct Answer: B

QUESTION 4

Refer to the network exhibit.



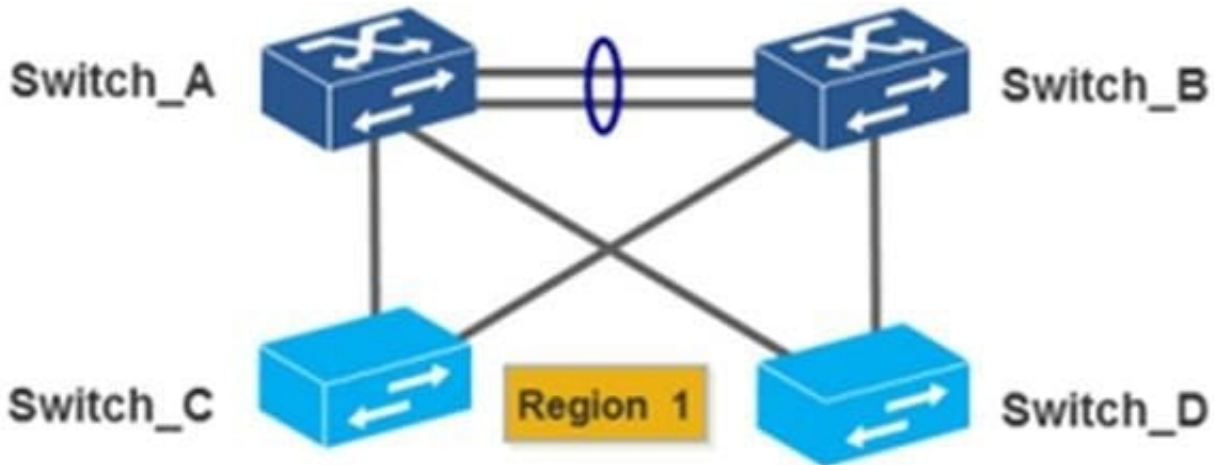
The network shown in the exhibit is comprised of four MSTP regions that are interconnected. Based on this topology, which statement is true?

- A. PVST should be used instead of MSTP.
- B. A routing solution must be used between MSTP regions when more than one region exists.
- C. An optimized topology can be created using MSTP between the regions.
- D. The switches are running the equivalent of RSTP between the regions.

Correct Answer: D

QUESTION 5

Refer to the network exhibit.



All of the switches in the exhibit are configured as follows:

Config name =";Region!\'

Revision #= 1

Instance 1=VLANs 10,12

Instance2 = VLANs11,13

1ST instance = VLANs 1-9,14-4094

Currently, only VLANs 1,10,11,12, and 13 exist on the four switches. A network administrator adds VLAN 15 to Switch_C. How is the topology affected by this change?

- A.
Spanning tree recalculates, with load sharing not in effect to Switch_C.
- B.
Spanning tree recalculates, with load sharing still in effect to Switch_C.
- C.
A loop now exists involving Switch_C.
- D.
No topology changes occur with spanning tree.

Correct Answer: B