



HP2-Z30^{Q&As}

Fast Track - Applying HP FlexNetwork Fundamentals

Pass HP HP2-Z30 Exam with 100% Guarantee

Free Download Real Questions & Answers **PDF** and **VCE** file from:

<https://www.passapply.com/hp2-z30.html>

100% Passing Guarantee
100% Money Back Assurance

Following Questions and Answers are all new published by HP Official Exam Center

-  **Instant Download** After Purchase
-  **100% Money Back** Guarantee
-  **365 Days** Free Update
-  **800,000+** Satisfied Customers





QUESTION 1

A network administrator acquires a new HP Comware switch from HP with the factory default settings. The network administrator logs into the console port and configures the following information: user-interface aux0 quit super password level 0 simple hp0 super password level 1 simple hpl super password level 2 simple hp2 super password level 3 simple hp3 What happens the next time the network administrator logs into the console?

- A. The network administrator is immediately taken to level 3 with no password prompted.
- B. The network administrator must enter a password of hp3.
- C. The network administrator must perform the password recovery procedure because it was incorrectly configured.
- D. The network administrator must enter a password of hp0.

Correct Answer: B

QUESTION 2

Which HP switch supports nine switches in an IRF topology?

- A. 5120-SI
- B. 5820
- C. 7500
- D. 12500

Correct Answer: B

QUESTION 3

Refer to the exhibit.



```
ProVision(config)# trunk 10,12 trkl lacp
ProVision(config)# vlan 10 tagged trkl

[Comware] interface bridge-aggregation 1
[Comware-Bridge-Aggregation1] quit
[Comware] interface g1/0/1
[Comware-GigabitEthernet1/0/1] port link-aggregation group 1
[Comware-GigabitEthernet1/0/1] quit
[Comware] interface g1/0/2
[Comware-GigabitEthernet1/0/2] port link-aggregation group 1
[Comware-GigabitEthernet1/0/2] quit
[Comware] interface bridge-aggregation 1
[Comware-Bridge-Aggregation1] port link-type trunk
[Comware-Bridge-Aggregation1] port trunk permit vlan 10
[Comware-Bridge-Aggregation1] quit
```

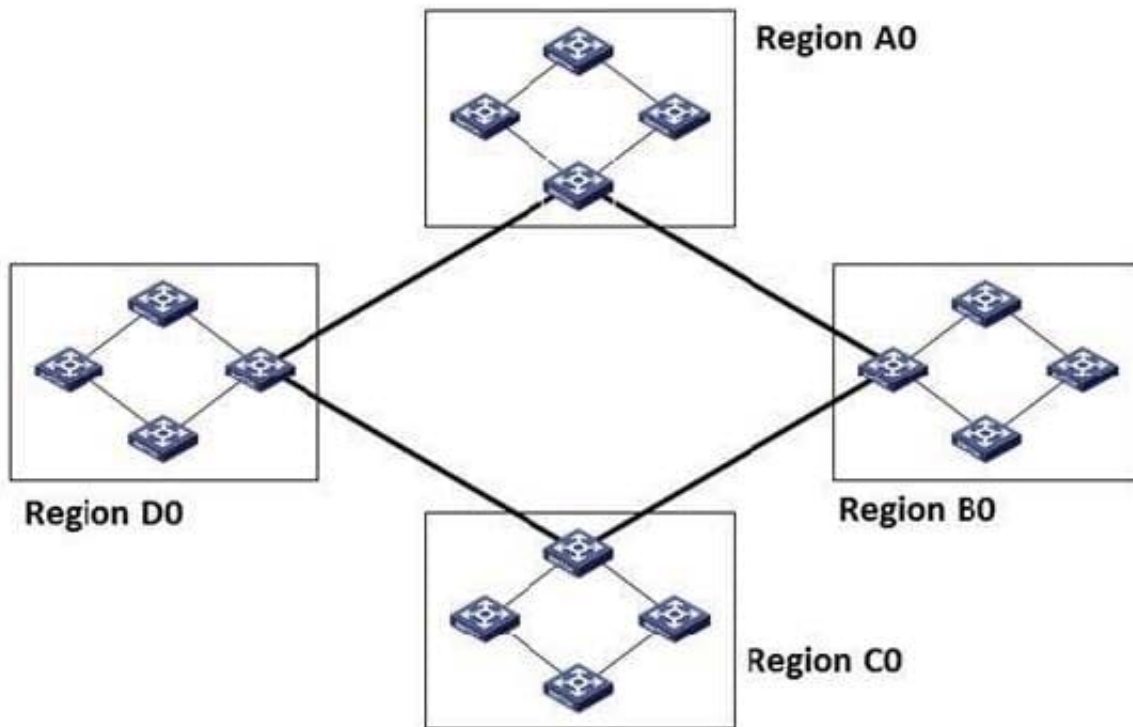
The link aggregation is failing between the HP Provision and HP Comware switches. Which solution solves this problem?

- A. The interfaces used for trunking on the Provision switch must be continuous.
- B. The Provision switch must be reconfigured for dynamic LACP
- C. The Comware switch must be reconfigured for static LACP O
- D. The Comware switch must be reconfigured for dynamic LACP.

Correct Answer: D

QUESTION 4

Refer to the network exhibit.



The network shown in the exhibit is comprised of four MSTP regions that are interconnected. Based on this topology, which statement is true?

- A. PVST should be used instead of MSTP.
- B. A routing solution must be used between MSTP regions when more than one region exists.
- C. An optimized topology can be created using MSTP between the regions.
- D. The switches are running the equivalent of RSTP between the regions.

Correct Answer: D

QUESTION 5

What is the default username and password an administrator would use to log into a new HP MSM access point?

- A. username of "hp" and password of "hp"
- B. username of "msm" and password of "wireless"
- C. username of "admin" and password of "hp"
- D. username of "admin" and password of "admin"

Correct Answer: D