



HP0-J67^{Q&As}

Architecting Multi-site HP Storage Solutions

Pass HP HP0-J67 Exam with 100% Guarantee

Free Download Real Questions & Answers **PDF** and **VCE** file from:

<https://www.passapply.com/hp0-j67.html>

100% Passing Guarantee
100% Money Back Assurance

Following Questions and Answers are all new published by HP Official Exam Center

-  **Instant Download** After Purchase
-  **100% Money Back** Guarantee
-  **365 Days** Free Update
-  **800,000+** Satisfied Customers





QUESTION 1

A customer is planning to implement an HP StoreVirtual 4330FC Storage System. Which type of cable do they need to connect the storage system to the fabric?

- A. SC Fibre Channel
- B. LC Fibre Channel
- C. iSCSI
- D. SAS

Correct Answer: B

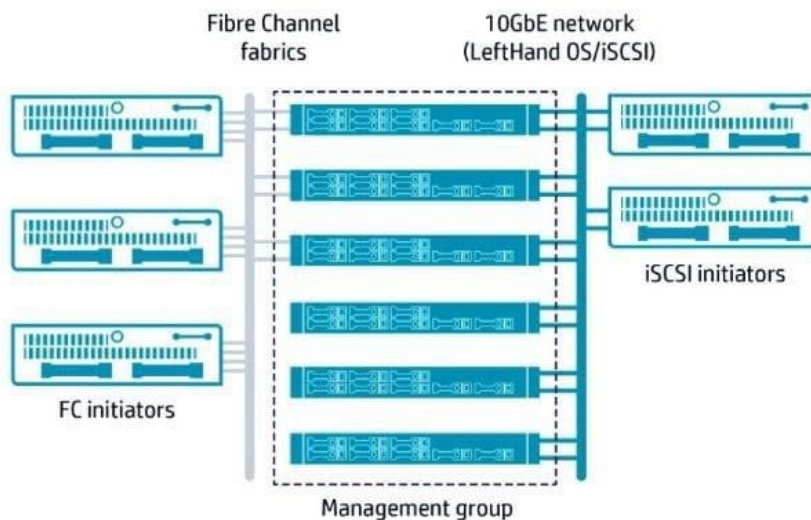


Figure 2. HP StoreVirtual 4030 FC Storage with iSCSI and Fibre Channel connectivity

The Fibre Channel ports on HP StoreVirtual are typically connected to two independent Fibre Channel fabrics in line with general Fibre Channel storage network best practices. Please consult the **HP SAN Design Reference Guide** on fabrics and fabric topologies. Fibre Channel connectivity on HP StoreVirtual requires at least two storage nodes in an HP StoreVirtual management group. This is primarily to provide two paths into each Fibre Channel fabric for high availability. Additional Fibre Channel enabled nodes in the management group are supported and provide additional paths to the application volumes.

Fibre Channel connectivity is only available on HP StoreVirtual 4330 FC Storage. Existing installations can be upgraded to allow for Fibre Channel connectivity; for more information refer to the "Fibre Channel connectivity for existing

QUESTION 2

A customer plans to migrate data from a third-party storage system to an HP 3PAR StoreServ 7200 Storage System.

The new storage system must provide up to 128 disk drives.



How many additional drive chassis does the customer need?

- A. Three
- B. Four
- C. Five
- D. Six

Correct Answer: C

There's a 2U enclosure that holds 24 2.5-inch drives and a 4U enclosure that holds the same number of 3.5-inch drives.

QUESTION 3

Refer to the exhibit.

CPU%	Data%	Ctrl	Serial	Node
-----	-----	-----	-----	-----
84	82	A	P8398FXAAR2003	5000-1FE
99	97	B	P8398FXAAR200D	5000-1FE
3	3	A	P8398FXAAR301Q	5000-1FE
12	8	B	P8398FXAAQZ001	5000-1FE

You run the EVAperf cs command and generate the output in the exhibit. What must you do to display the administrator-defined EVA names when using EVAperf?

- A. Upload the Command View naming table by using the CLI.
- B. Turn beaconing of the EVA on by using the EVAperf be command on the CLI.
- C. Import the friendly names from Command View by using CLI.
- D. Establish a relationship between Command View and EVAperf by using the System Options menu in the GUI.

Correct Answer: C

<http://www.fullyautomatednagios.org/wordpress/wp-content/uploads/2013/05/HP-StorageWorksCommand.pdf>

QUESTION 4

Refer to the scenario.

A large publicly-traded motion picture exhibitor that is a leader in digital and 3D cinema deployments operates 233 theaters and more than 2,200 screens in small to mid-sized communities in 35 states around the United States. They rely on

MS Exchange Server 2010 for email. MS SQL Server 2010 for analyzing data about movies and theater-goers, and MS



Excel 2010 for crunching numbers.

The company runs nightly incremental backups and a full weekly backup that consists of close to 7 TB of data which takes up 72 hours to complete. The quarterly backups add an additional 7 TB of data. Tapes are inventoried and transported

from the main data center to the disaster recovery site 150 miles away. The process of transporting tape cartridges to and from the Disaster Recovery site requires hours of daily work.

The company currently relies on an aging robotic tape library and a process that takes the nightly backup tapes offsite every morning. Additionally, the company keeps an inventory, and if a restore is necessary they have to retrieve the tapes

from the DR site and transport them to the main data center site They have a 7 year data retention plan, and the tapes are expensive and not always reliable. Given the company's current system, if a full weekly backup fails over a weekend,

the re-run could take up to 10 hours, even if just one job failed.

The company has deployed a virtualized server infrastructure which runs VMware vSphere 5 on HP BladeSystem c7000 enclosures and BL460c servers interconnected with HP Virtual Connect Flex-10 10Gb Ethernet Modules as well as

several HP ProLiant DL380 servers. The company's top four IT improvements goals are as follows:

- replacing the aging robotic tape library
- enabling replication of backed up data from the main data center to the disaster recovery site (150 miles)
- retaining more backup data in smaller disk space
- increasing efficiency reliability, and ease of system administration Moreover the company's top three business benefit goals are as follows:
 - increased confidence in disaster recovery
 - minimal disruption by backups during regular business hours
 - improved management of external audits

The company has asked that you create multiple solution proposals and prioritize one when you return for a presentation.

How does an HP StoreOnce Backup solution meet the customer IT and business needs?

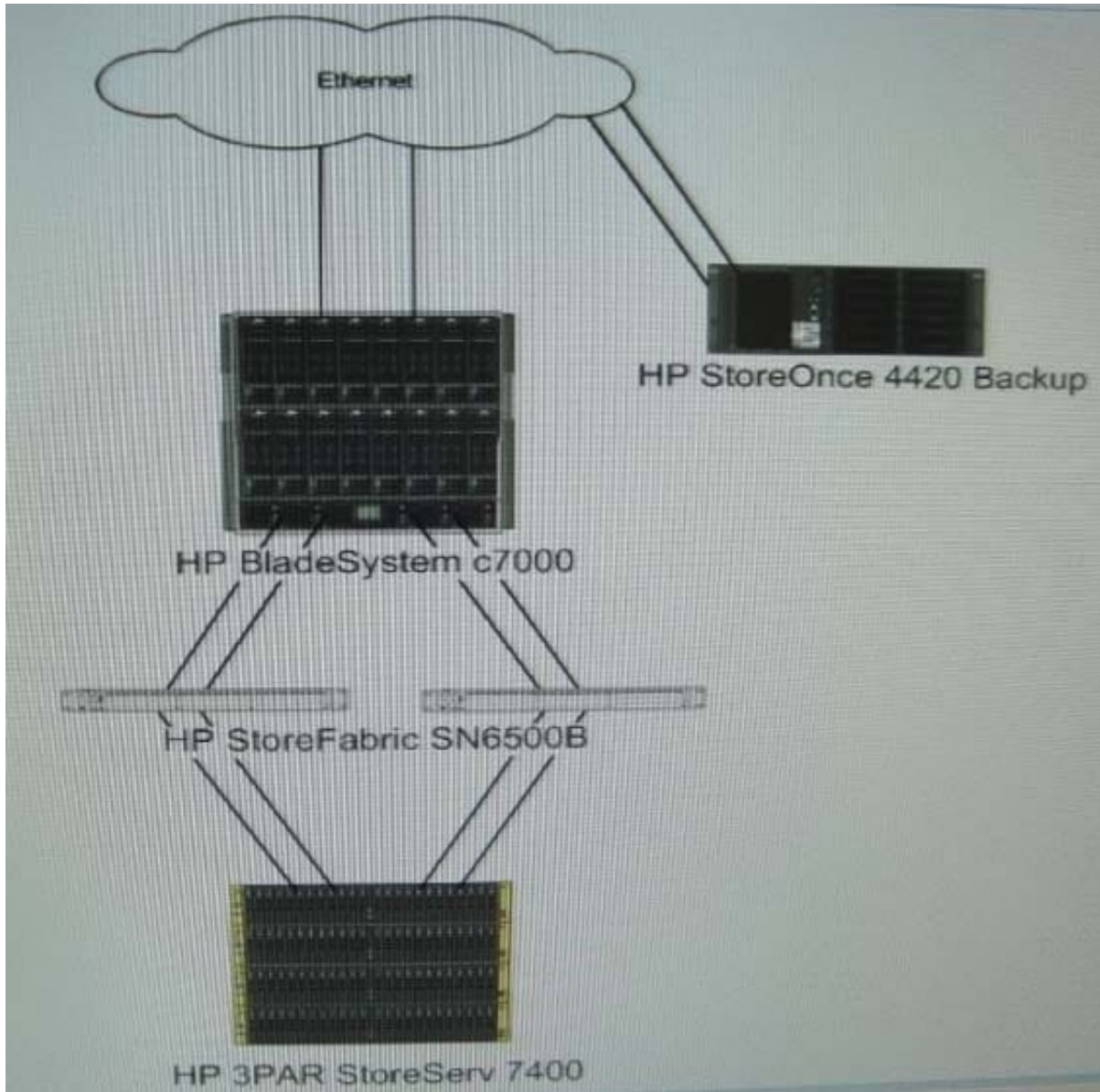
- A. Eliminates the need for tape backups for long-term archiving
- B. Multiplies the data, which is then replicated to a remote location
- C. Backs up the data via a WAN link
- D. Provides a bandwidth-effective replication to remote sites

Correct Answer: A

QUESTION 5



Refer to the exhibit:



You are presenting a converged infrastructure proposal to the director of IT and the infrastructure administration team. The configuration is to refresh the infrastructure at a wholly-owned subsidiary company.

They plan to have a SQL standby server in their main data center for recovery. The director informs you that the subsidiary IT staff has been laid off and that the configuration needs to be as easy to manage as possible because it will be done

remotely.

What should you do to improve the proposal TCO?

- A. Add an HP StoreEasy 3000 Gateway
- B. Recommend an HP Flat SAN
- C. Change HP 3PAR StoreServ 7400 to StoreVirtual 4530



D. Fibre Channel connect the HP StoreOnce 4420

Correct Answer: B

The StoreEasy 3000 systems support large numbers of users concurrently accessing their files, thanks to a high performance file serving controller and a range of drive media.

HP Virtual Connect for 3PAR with Flat SAN technology To address this problem HP announces HP Virtual Connect for 3PAR with Flat SAN technology. The industry's first direct connection to fibre channel-based storage that doesn't require dedicated switches, enabling a simplified architecture with best-in-class storage, servers and network innovations -- BladeSystem, Virtual Connect and 3PAR.

Customer benefits include:

- Single layer Fibre Channel storage network - Eliminate SAN switches and HBAs
- Massive simplification of your fabric management
- 2.5x faster Fibre Channel storage provisioning
- Automated zoning capabilities to set up zones with one-click vs. hours
- Up to 55% less latency by removing SAN fabric layer

[Latest HP0-J67 Dumps](#)

[HP0-J67 VCE Dumps](#)

[HP0-J67 Study Guide](#)