



HP0-J64^{Q&As}

Designing HP Enterprise Storage Solutions

Pass HP HP0-J64 Exam with 100% Guarantee

Free Download Real Questions & Answers **PDF** and **VCE** file from:

<https://www.passapply.com/hp0-j64.html>

100% Passing Guarantee
100% Money Back Assurance

Following Questions and Answers are all new published by HP Official Exam Center

-  **Instant Download** After Purchase
-  **100% Money Back** Guarantee
-  **365 Days** Free Update
-  **800,000+** Satisfied Customers





QUESTION 1

A customer wants to implement a new backup solution. The environment is predominantly Fibre Channel with Windows 2008, Linux hosts, and a number of HPUX hosts attached to a 10 GbE network. They have expressed an interest in the HP StoreOnce technology and its integration with HP Data Protector.

When designing an HP StoreOnce solution for this environment, what needs to be considered?

- A. Catalyst integration is only supported on Windows and HPUX hosts.
- B. Catalyst gateway are used on the HP-UX hosts.
- C. Linux hosts requires Catalyst gateway
- D. Fibre Channel hosts may only use VTL emulation.

Correct Answer: D

http://h20628.www2.hp.com/km-ext/kmcsdirect/emr_na-c03478346-1.pdf <http://h20195.www2.hp.com/V2/GetPDF.aspx%2F4AA4-1776ENW.pdf> http://www.hp.com/hpinfo/newsroom/press_kits/2012/HPDiscover2012/HPSD_Discover_Store_Once_Fact_Sheet.pdf

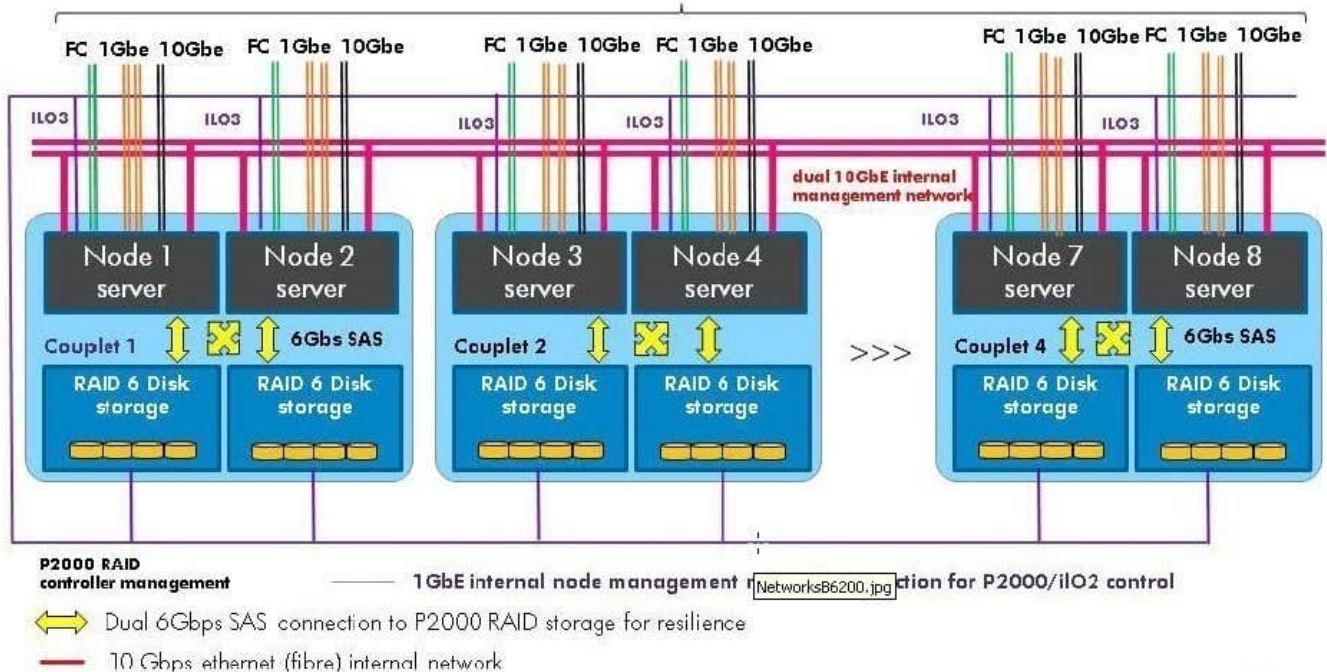
Comparison table of emulations; showing key features and when to use

Emulation	Key Features	Best used in	Comments
Virtual Tape	Uses virtual tape drives and virtual slots to emulate physical tape libraries	Enterprise FC SAN environment (B6200 and 4xxx series). HP StoreOnce also supports iSCSI VTL (4xxx and 2xxx series)	Tried and tested, well understood but lacks sophistication. Uses NetBackup Robot and Drives device type
NAS (CIFS/NFS shares)	NAS shares can be easily configured and viewed by the operating system	Specific environments that do not support tape emulation backup or prefer to backup directly to disk. In some cases the licensing may be lower cost for NAS shares as a backup target.	This is a NAS target for backup - not recommended for random NAS file type access. Uses NetBackup Basic Disk device type
OST with StoreOnce Catalyst	NetBackup has total control over the HP StoreOnce appliance, providing source based deduplication, replication control, improved DR etc.	Environments that require a single management console for all backup and replication activities and the ability to implement federated deduplication*	Requires HP OST 2.0 plugins to be installed on NetBackup Media servers Uses NetBackup OpenStorage device type

Each node has two 8Gb FC connections (used for VTL only), two 10GbE and four 1GbE Ethernet connections (used for NAS shares or Catalyst stores). Figure 4 illustrates these physical connections.



Resilient user connections for management/data



QUESTION 2

A Customer plans to centralize and virtualize their user desktops using VMware Horizon for 300 users. Their primary focus for the project is efficient backups. The customer design includes HP ProLiant BL460 Gen8 servers and an HP StoreVirtual solution. The customer needs an environment that uses a single management console for all backups and replication activities and the ability to implement federated deduplication. The design incorporates an HP StoreOnce B6200 Backup solution.

Which HP Enterprise Backup (EBS) supports the customer's needs?

- A. HP StoreOnce Catalyst
- B. HP StoreOnce VTL emulation
- C. Enterprise Tape Library
- D. NAS share

Correct Answer: A

Law enforcement office saves time and money with HP 3PAR StoreServ Storage and HP StoreOnce centralized backup

QUESTION 3

Scenario Following the merger of two financial companies, management is considering combining the two distinct customer call centers into a single physical location. In addition to the overall call center headcount increasing by 30%, the support for two distinct customer bases presents the potential of having two different desktop PCs on the desk of



each call center employee. Instead of correspondingly increasing IT support headcount to manage the single, larger call center and call center infrastructure, management believes they can reduce the required time to support call center operations by 40% if they employ virtual desktop technology.

An initial assessment has identified the need for a centralized storage solution that could support 500 virtual desktops running a variety of applications that can scale quickly to accommodate an expected increase in call center staff. The customer is already an HP Blade System customer using HP Virtual Connect Flex-10.

Some of the additional business criteria identified in customer planning interviews includes:

Use client virtualization for the desktops.

Achieve the highest possible density and performance for the virtual desktops, but keep the virtual desktop storage traffic off the network due to a current, existing limitation of only 1GbE.

Do not use standalone, network-attached storage.

Limit the impact of additional rack space.

Minimize the risk of additional help-desk tickets.

Present multiple solutions, prioritized with a recommendation.

Refer to the scenario.

The company preferred to implement an iSCSI storage solution to reduce implementation costs. Which addition benefit of an HP StoreVirtual Storage solution should you emphasize in your proposal?

- A. scale-up architecture
- B. support for multiple workloads
- C. built-in replication disaster recover
- D. thin convergence

Correct Answer: D

The company preferred to implement an iSCSI storage solution to reduce implementation costs. You need affordable storage designed for a virtualized infrastructure that's easy to manage, supports continuous data growth, and keeps your

business up and running. HP StoreVirtual 4000 Storage, based on the LeftHand operating system, is a scale-out storage platform that is designed to meet the fluctuating needs of virtualized environments. Intuitive, common management and

storage federation meet the need for simplicity and flexibility in today's virtual datacenters. It allows data mobility across tiers, locations, and between physical and virtual storage..

HP StoreVirtual is the most versatile storage platform on the market today. Its software-defined storage VSA software, and ProLiant rack and BladeSystem-based hardware models provide options to fit any infrastructure and budget.

Enterprise-class storage software functionality and leading virtualization software integration are built-in. This makes StoreVirtual the ideal platform for supporting virtualization growth at all stages. HP P4800 G2 31.5TB SAS SAN

BladeSystem, Thin provisioning support SAN/iQ Thin Provisioning. LeftHand Remote Copy lets you asynchronously replicate thin provisioned, (Not Answer D,)



QUESTION 4

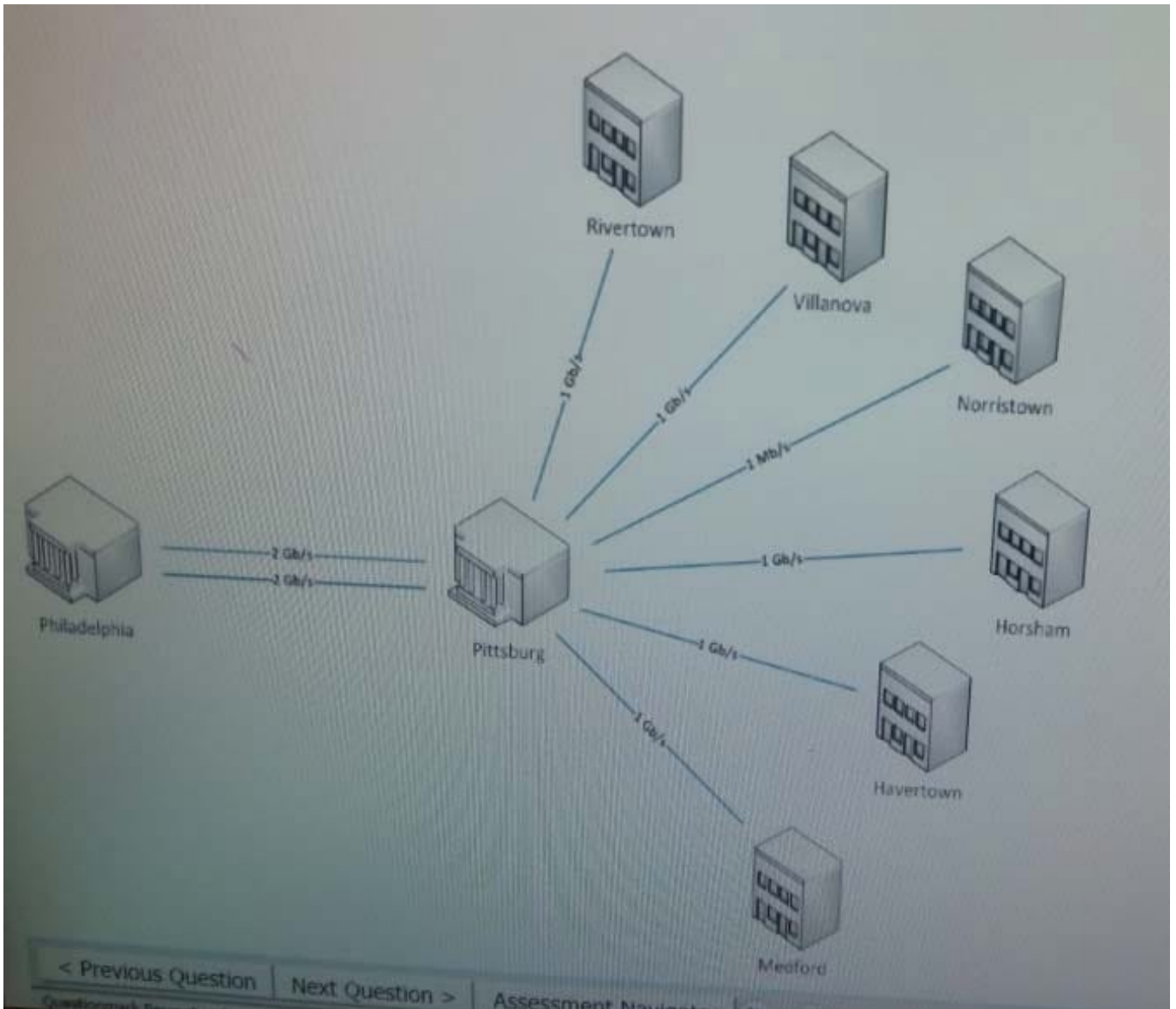
How can server performance degradation be avoided during backup in a large virtualized environment with HP Data Protector?

- A. Utilize VMware ESX Server Snapshots
- B. Use HP StoreOnce D2DBS generic library emulation
- C. Configure target side deduplication
- D. Implement zero downtime Backup

Correct Answer: D

QUESTION 5

Refer to the exhibit.



The customer wants to implement an HP StoreVirtual solution for the environment shown. The storage requirements dictate that the solution must have four nodes per site. What needs to be considered when designing the solution?

- A. the latency on the link
- B. a failover manager required on both sites
- C. 200 MB/s bandwidth per storage nodes pair required
- D. the type of data being replicated

Correct Answer: A

Best practices Use a single IP subnet with Layer 2 switching

Configure redundant network paths between sites to help minimize link failure in a two-site

configuration. In multi-site cluster with three sites, HP recommends a triangle network design, not a V- design to ensure high availability.



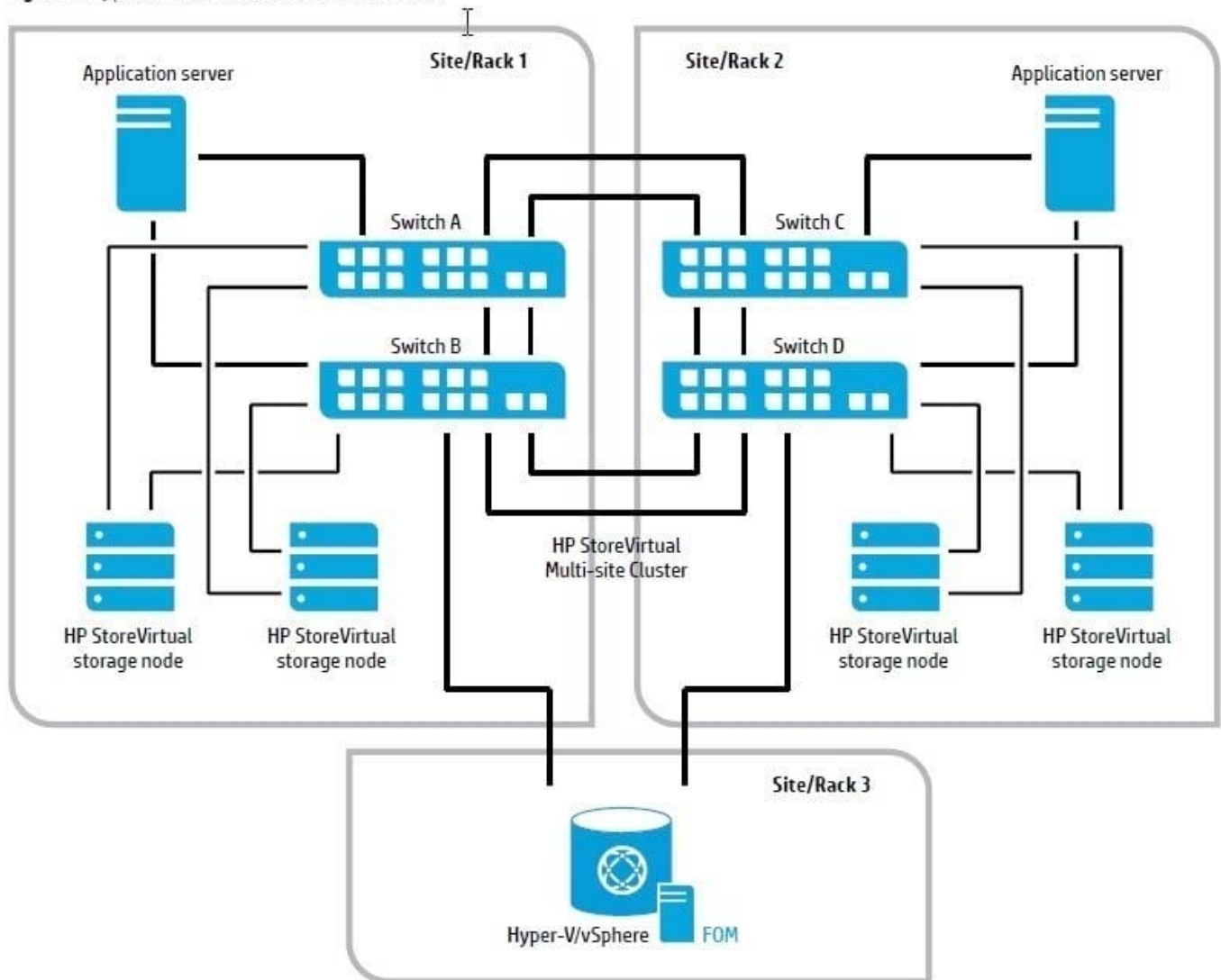
For 1GbE installations allocate 50 MB/s per storage node in the sites between data centers; for

environments with 10GbE storage connectivity, reserve 250 MB/s. For campus cluster deployments with Fibre Channel connectivity on HP StoreVirtual, plan for 500 MB/s per storage node in the sites (only two sites supported). In the example (see Figure 7) above with 1GbE storage connectivity and two storage nodes in each

site, designate 50 MB/s x 2 = 100 MB/s of bandwidth between the sites (at least one 1GbE link; two for redundancy). HP StoreVirtual Fail-over Manager is not in the data path and has to be connected using at least Fast

Ethernet (100 Mb/s) with a latency not exceeding 50 ms.

Figure 7. Typical multi-site cluster environment



Network latency High network latency can be the primary cause of slow I/O performance, or worse, iSCSI target disconnects. It is important to keep round trip network latency on your storage subnet below two milliseconds. Many factors can contribute to increasing network latency, but two are most common:

Distance between storage cluster nodes

Router hops between storage cluster nodes

Configuring a multi-site cluster on a single IP subnet with Layer 2 switching will help to lower the network latency



between storage cluster nodes.

[HP0-J64 PDF Dumps](#)

[HP0-J64 Study Guide](#)

[HP0-J64 Exam Questions](#)