



EX0-113^{Q&As}

TMap Next Foundation

Pass EXIN EX0-113 Exam with 100% Guarantee

Free Download Real Questions & Answers **PDF** and **VCE** file from:

<https://www.passapply.com/ex0-113.html>

100% Passing Guarantee
100% Money Back Assurance

Following Questions and Answers are all new published by EXIN
Official Exam Center

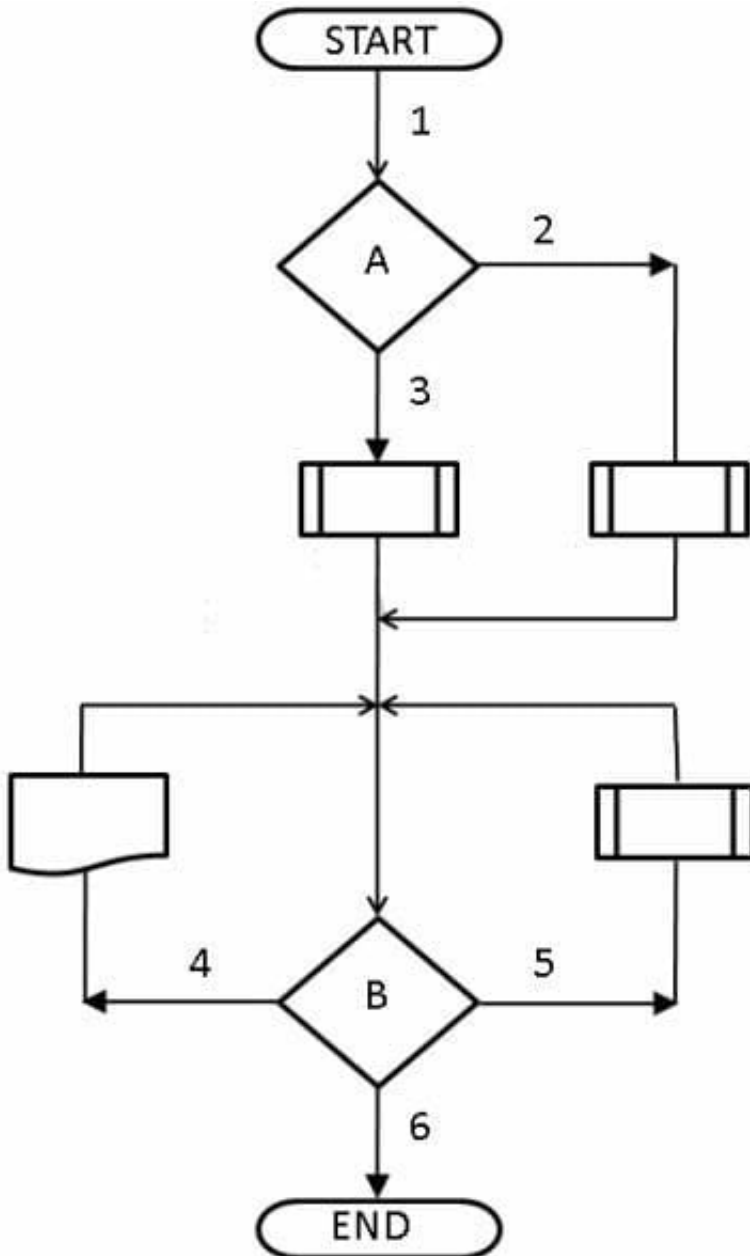
-  **Instant Download** After Purchase
-  **100% Money Back** Guarantee
-  **365 Days** Free Update
-  **800,000+** Satisfied Customers





QUESTION 1

See the procedure flow below:



What is the minimum number of logical test cases are generated by the use of the Process Cycle Test if the coverage type paths test depth level 2 is used?

- B. 6
- C. 8
- D. 14

Correct Answer: B



QUESTION 2

A fun park is celebrating its 25th birthday and has come up with the following discount campaign:

Everybody is given 50% discount on their admission ticket. Children younger than 4 years, adults older than 64 years, and for this special occasion adults aged 25 years will be allowed in free.

How many equivalence classes are included in this situation?

- A. 3
- B. 4
- C. 5

Correct Answer: C

QUESTION 3

The specification of test cases according to a test design technique follows five general steps. Which step is establishing the starting point? Which step is establishing the starting point?

- A. step 2
- B. step 3
- C. step 4 D. step 5

Correct Answer: C

QUESTION 4

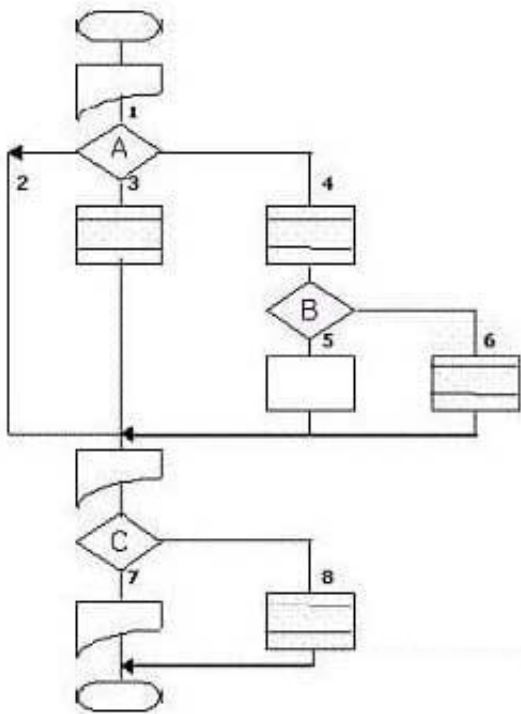
What is to be preserved in the activity reserving the testware? What is to be preserved in the activity?

- A. all testware created during the project
- B. a selection of the testware in consultation with the future administrator

Correct Answer: B

QUESTION 5

See the procedure flow below:



How many test situations are produced when the coverage type paths with test depth level 2 is used?

- A. 3
- B. 8
- C. 12
- D. 13

Correct Answer: D

[Latest EX0-113 Dumps](#)

[EX0-113 Study Guide](#)

[EX0-113 Exam Questions](#)