



E20-616^{Q&As}

Symmetrix Installation and Troubleshooting Specialist

Pass EMC E20-616 Exam with 100% Guarantee

Free Download Real Questions & Answers **PDF** and **VCE** file from:

<https://www.passapply.com/e20-616.html>

100% Passing Guarantee
100% Money Back Assurance

Following Questions and Answers are all new published by EMC
Official Exam Center

-  **Instant Download** After Purchase
-  **100% Money Back** Guarantee
-  **365 Days** Free Update
-  **800,000+** Satisfied Customers





QUESTION 1

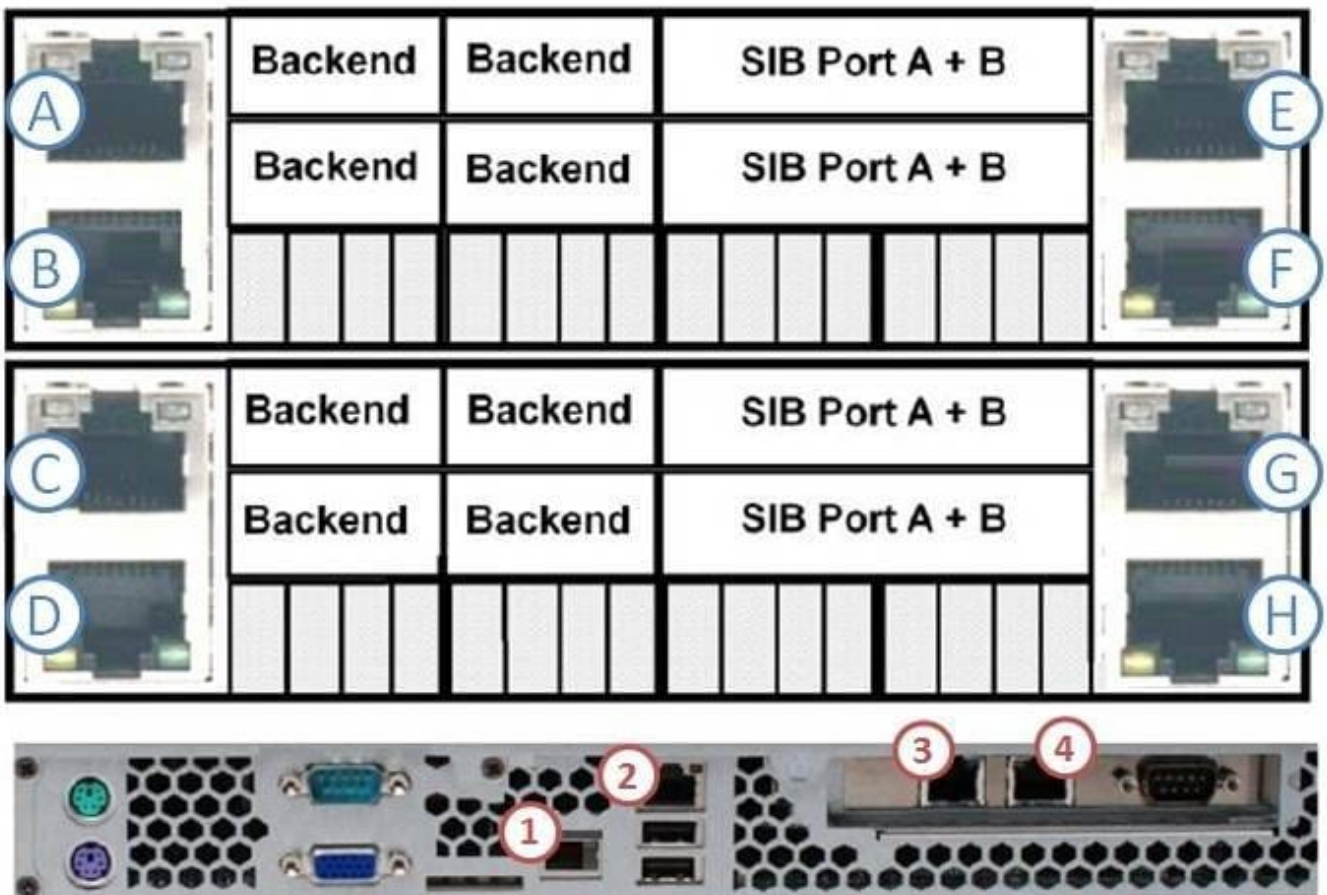
Which two System Bays use the same component layout when fully populated?

- A. VMAX 10K 3 and 4
- B. VMAX 10K 1 and 2
- C. VMAX 10K 1 and 4
- D. VMAX 10K 2 and 4

Correct Answer: A

QUESTION 2

Refer to the Exhibit.



While configuring a Multi-Engine VMAX 20K, the CE is connecting Engine numbers 4 and 5 with cables. What is the type and sequence of connections required to connect the Highest Engine number?

- A. Purple Cable; connects B to C and A to 1



- B. Green Cable; connects B to C and A to 1
- C. Purple Cable; connects B to C and D to 1
- D. Green Cable; connects B to C and D to 1

Correct Answer: A

QUESTION 3

A CE is currently installing a VMAX 40K. Where should the light panel cables of the System Bay be connected?

- A. Engine 4
- B. 1st AC slot
- C. Engine 5
- D. 2nd AC slot

Correct Answer: A

QUESTION 4

Which service always runs in the background, even when the user is logged out of the service processor?

- A. Handler
- B. Scripts
- C. Configuration
- D. Parameters

Correct Answer: A

QUESTION 5

You are installing a VMAX 10K with dispersed System Bay.

Which length cables are required to provide back-to-back separation?

- A. 10M
- B. 25M
- C. 20M
- D. 3.6M

Correct Answer: A



VCE & PDF

PassApply.com

<https://www.passapply.com/e20-616.html>

2024 Latest passapply E20-616 PDF and VCE dumps Download

[E20-616 VCE Dumps](#)

[E20-616 Study Guide](#)

[E20-616 Exam Questions](#)