



# E20-593<sup>Q&As</sup>

Backup and Recovery Implementation Exam

**Pass EMC E20-593 Exam with 100% Guarantee**

Free Download Real Questions & Answers **PDF** and **VCE** file from:

<https://www.passapply.com/e20-593.html>

100% Passing Guarantee  
100% Money Back Assurance

Following Questions and Answers are all new published by EMC  
Official Exam Center

-  **Instant Download** After Purchase
-  **100% Money Back** Guarantee
-  **365 Days** Free Update
-  **800,000+** Satisfied Customers





### QUESTION 1

What is a characteristic of cloud volumes in EMC NetWorker?

- A. Infinitely appendable
- B. Recyclable
- C. Space cannot be reclaimed.
- D. Data cannot be compressed or encrypted.

Correct Answer: A

---

### QUESTION 2

In an EMC NetWorker environment, a Lotus Notes backup just failed. To make sure the Lotus Notes NetWorker client is properly configured, what should be checked?

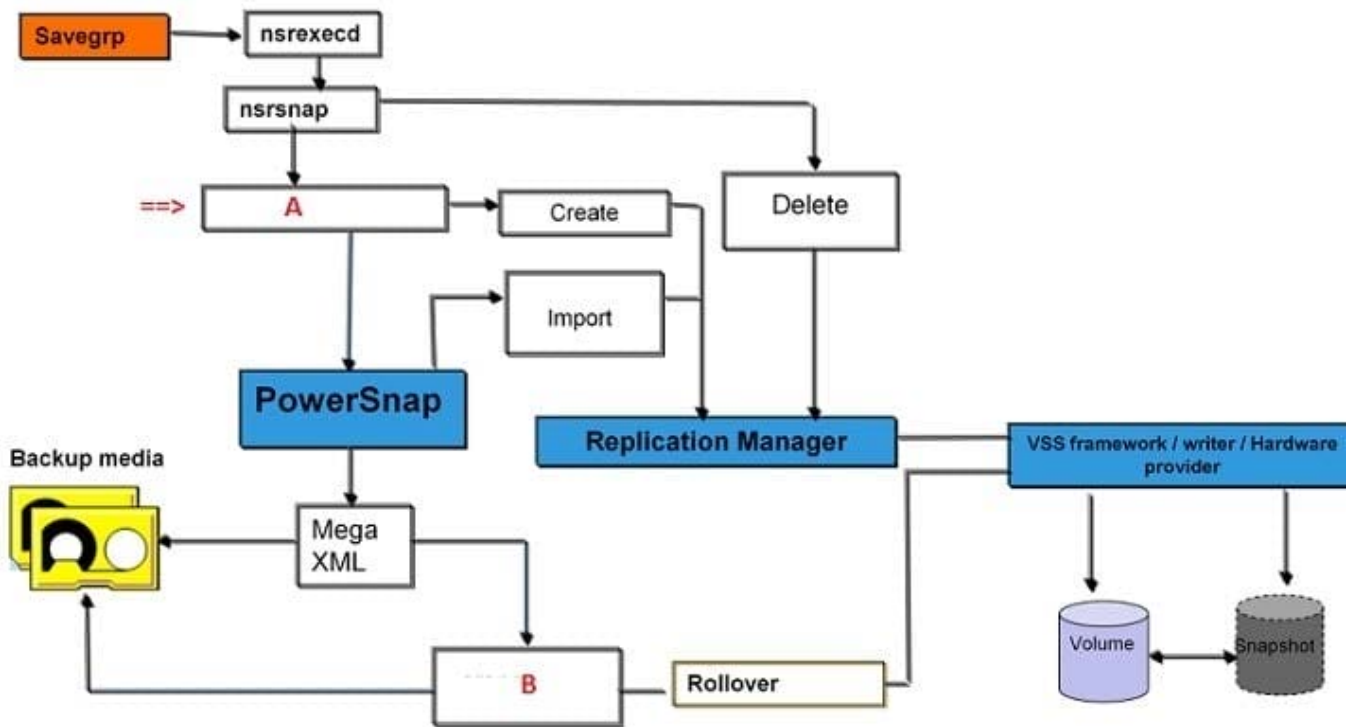
- A. The Lotus Notes client name is set to the Lotus Notes database instance.
- B. The Backup command attribute for the Lotus Notes client is set to nsrnotesv.
- C. The Apps and Modules remote user and password fields are blank.
- D. The client directive attribute is set to "Lotus Notes".

Correct Answer: B

---

### QUESTION 3

Refer to the exhibit.



In the NMM backup workflow, which process is shown in the box marked "A"?

- A. nsrsnap\_vss\_save
- B. nsrsnap\_save
- C. nsr\_moss\_save
- D. nsr\_ad\_save

Correct Answer: A

#### QUESTION 4

An EMC NetWorker administrator wants to prevent tapes from staying mounted after backups complete.

Which parameter must be set?

- A. Idle device timeout
- B. Poll interval
- C. Unload sleep
- D. Eject time

Correct Answer: A

#### QUESTION 5



A backup administrator has configured Dell EMC NetWorker and Data Domain Cloud Tier devices in NMC. What is the correct process flow of the backup data and control path?

Select and Place:

Correct Answer:

Backups are sent to the Data Domain system active tier	STEP 1
Application-based policy clones the data from block storage to object storage in the Data Domain storage unit	STEP 2
Backup data is pushed to the cloud provider based on an age policy controlled by the Data Domain system	STEP 3
NetWorker server sends the backup requests to the clients	STEP 4

	NetWorker server sends the backup requests to the clients
	Backup data is pushed to the cloud provider based on an age policy controlled by the Data Domain system
	Application-based policy clones the data from block storage to object storage in the Data Domain storage unit
	Backups are sent to the Data Domain system active tier

[E20-593 PDF Dumps](#)

[E20-593 Study Guide](#)

[E20-593 Exam Questions](#)