



CLAD^{Q&As}

Certified LabVIEW Associate Developer Examination

Pass EC-COUNCIL CLAD Exam with 100% Guarantee

Free Download Real Questions & Answers **PDF** and **VCE** file from:

<https://www.passapply.com/clad.html>

100% Passing Guarantee
100% Money Back Assurance

Following Questions and Answers are all new published by EC-COUNCIL Official Exam Center

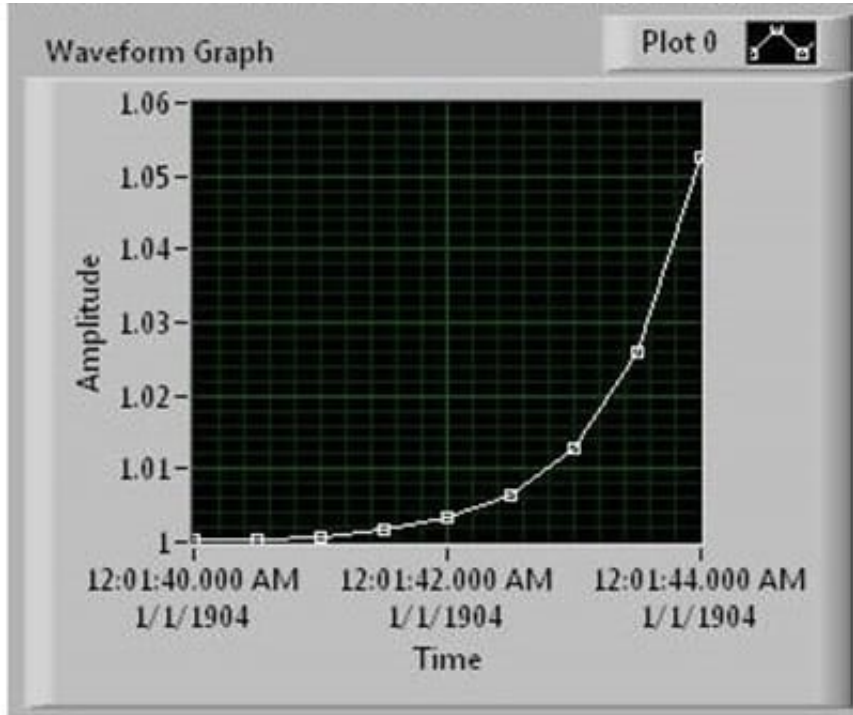
-  **Instant Download** After Purchase
-  **100% Money Back** Guarantee
-  **365 Days** Free Update
-  **800,000+** Satisfied Customers





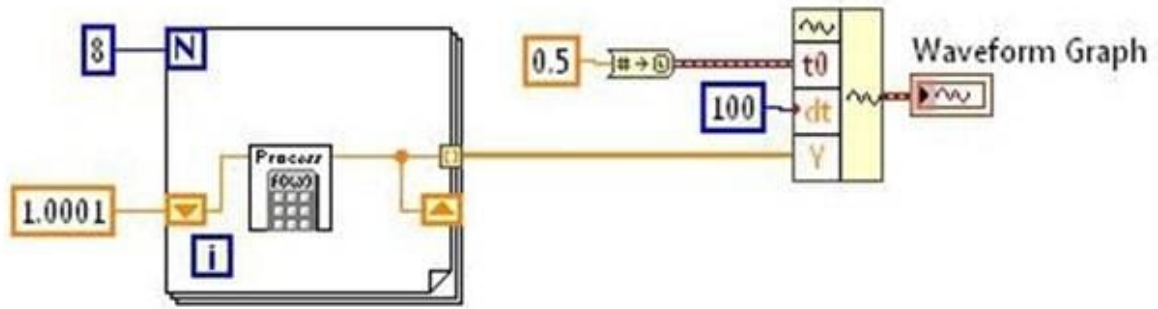
QUESTION 1

Which code will produce this front panel? (Time zone set to UTC+00:00)

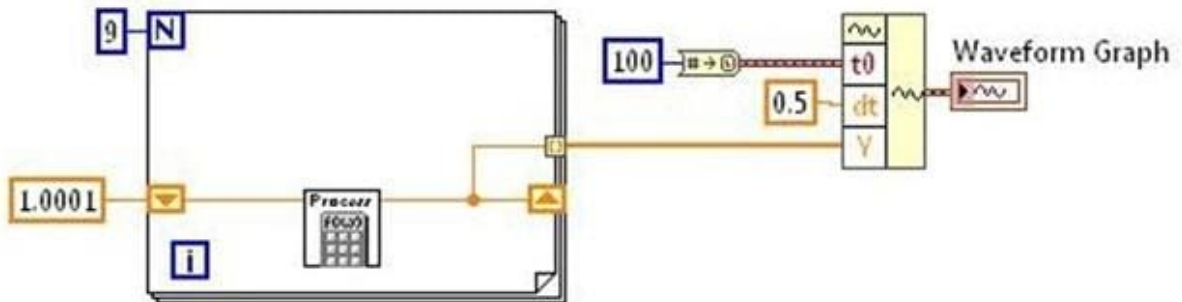




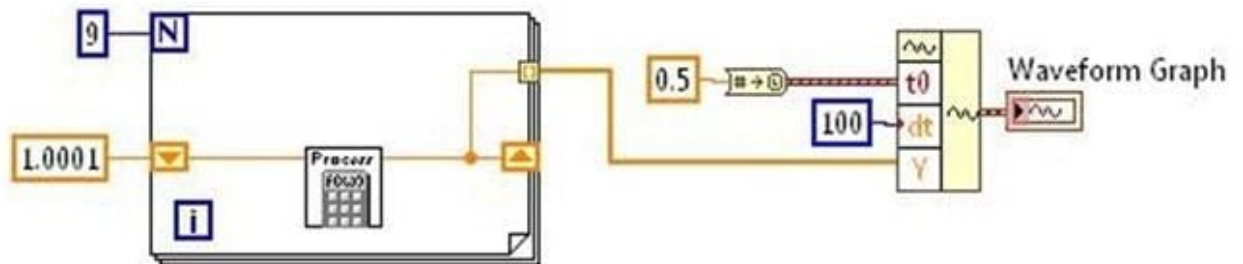
A.



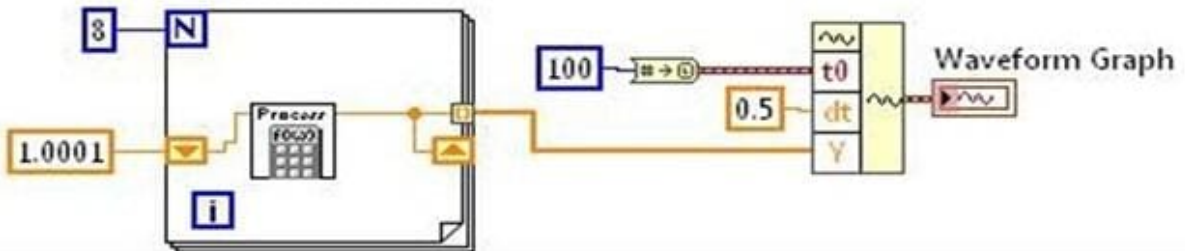
B.



C.



D.



A. Option A

B. Option B

C. Option C

D. Option D

Correct Answer: A

QUESTION 2



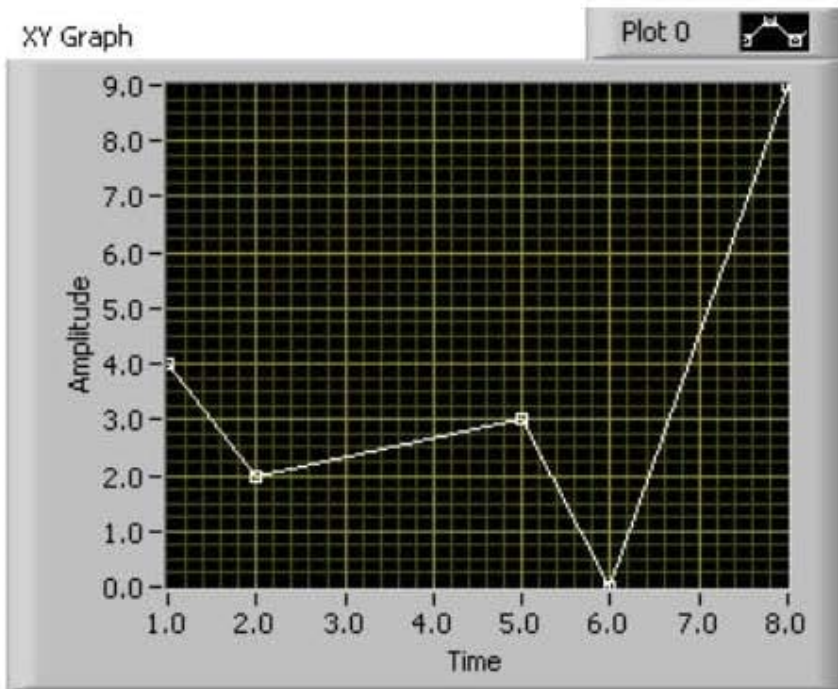
You are inputting data that represents a circle. The circle data includes an x position, a y position, and a radius. All three pieces of data are double-precision. In the future, you might need to store the color of the circle, represented as an integer. How should you represent the circle on your front panel window?

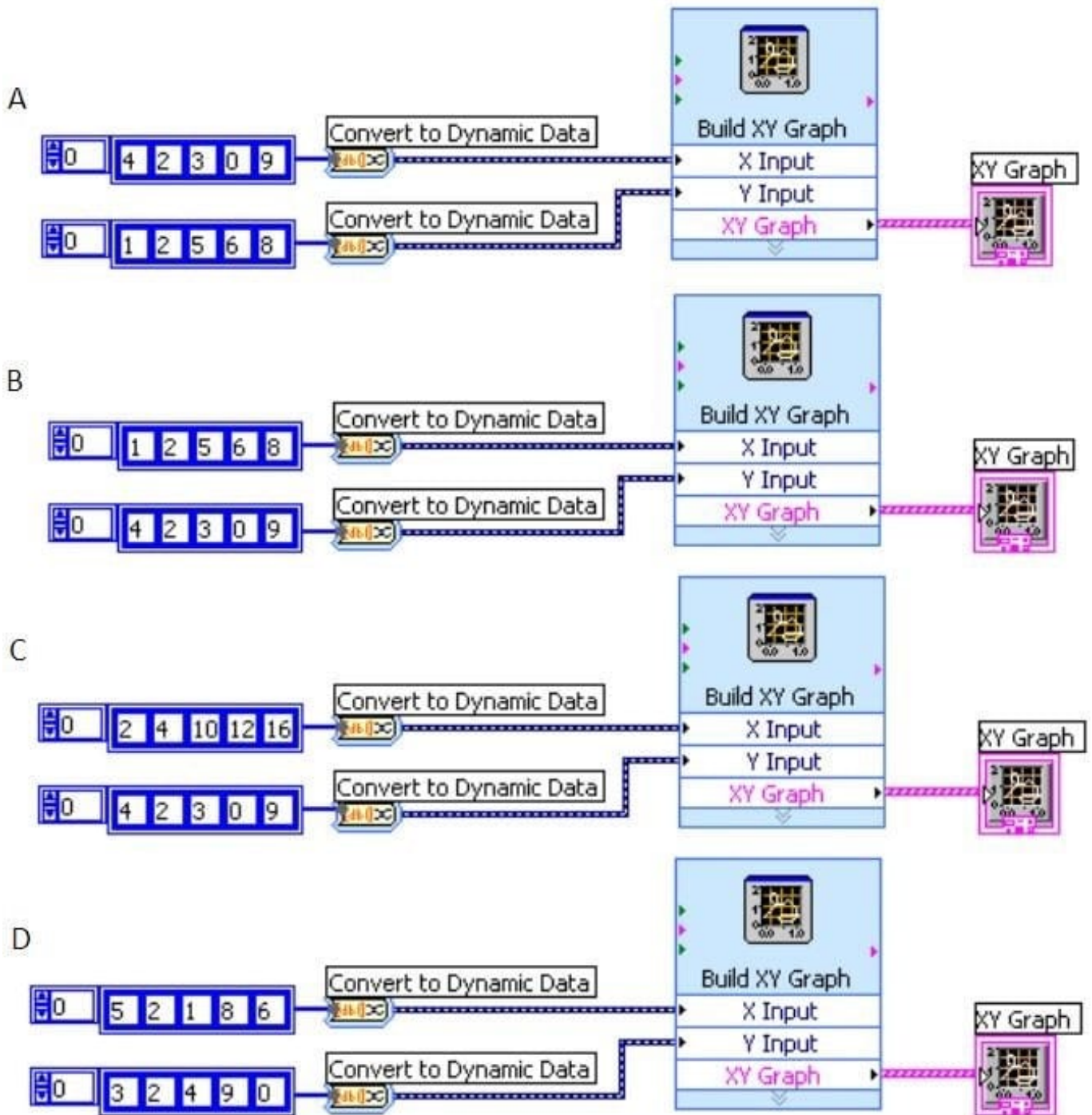
- A. Three separate controls for the two positions and the radius.
- B. A cluster containing all of the data.
- C. A type definition containing a cluster.
- D. An array with three elements.

Correct Answer: C

QUESTION 3

Which of the following produces this XY Graph?





A. Option A

B. Option B

C. Option C

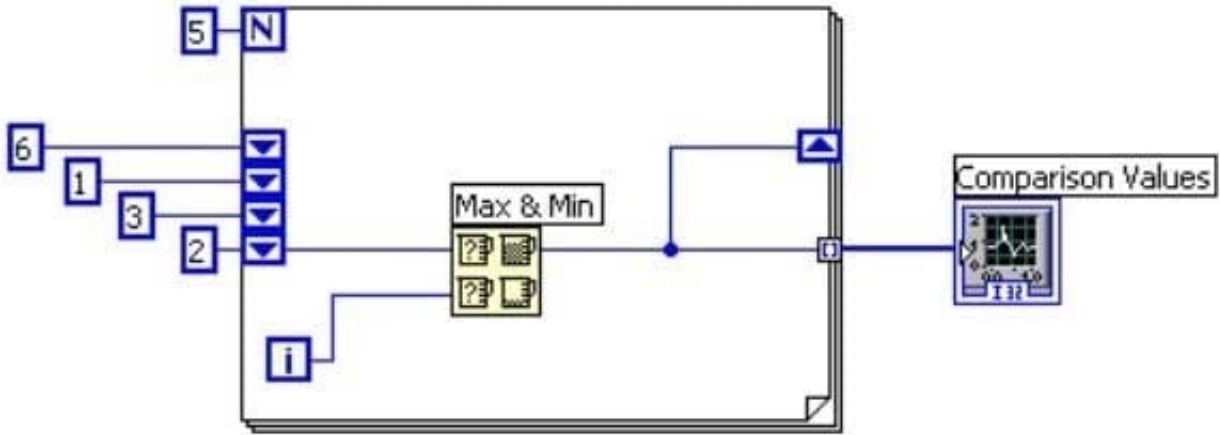
D. Option D

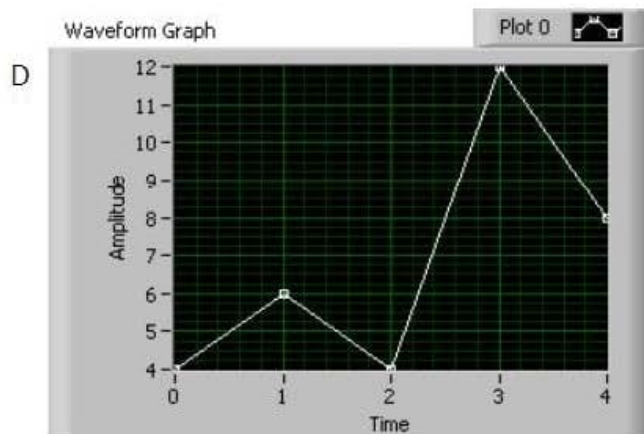
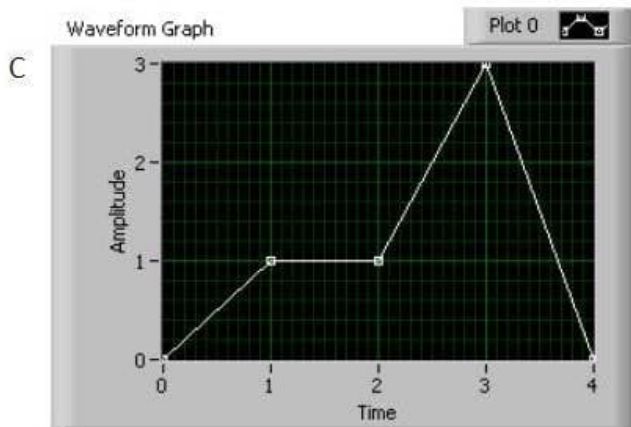
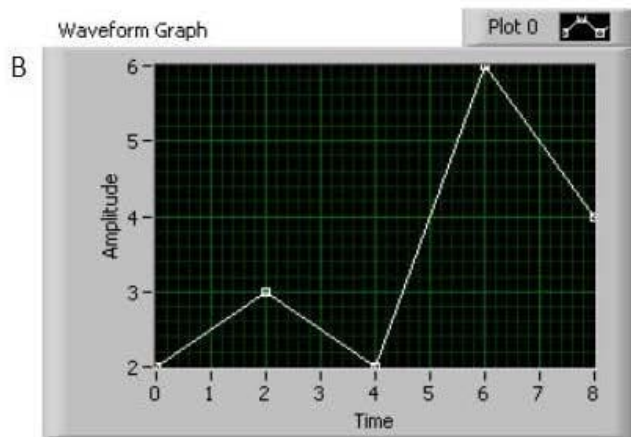
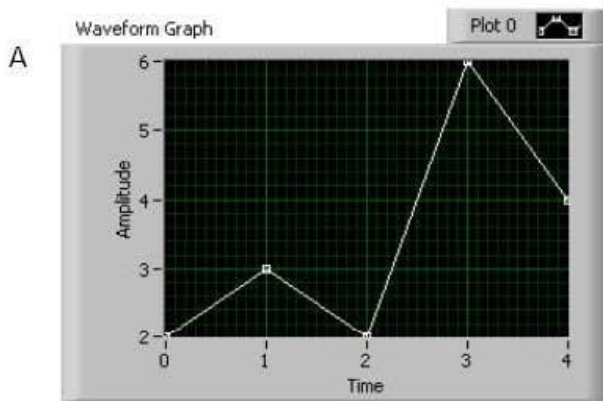
Correct Answer: B



QUESTION 4

Which of the following graphs matches the result in Comparison Values after the following code has executed?







A. Option A

B. Option B

C. Option C

D. Option D

Correct Answer: A

QUESTION 5

Clicking on the _____ button allows you to bypass a node in the Block Diagram without single-stepping through the node.

A. Step Into

B. Step Over

C. Step Out

D. Step Through

Correct Answer: B

[Latest CLAD Dumps](#)

[CLAD Practice Test](#)

[CLAD Braindumps](#)