



CLAD^{Q&As}

Certified LabVIEW Associate Developer Examination

Pass EC-COUNCIL CLAD Exam with 100% Guarantee

Free Download Real Questions & Answers **PDF** and **VCE** file from:

<https://www.passapply.com/clad.html>

100% Passing Guarantee
100% Money Back Assurance

Following Questions and Answers are all new published by EC-COUNCIL Official Exam Center

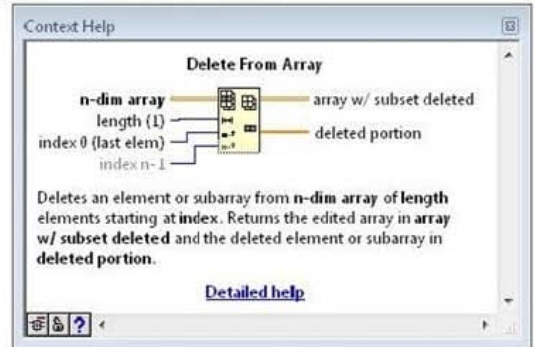
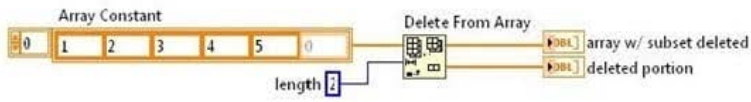
-  **Instant Download** After Purchase
-  **100% Money Back** Guarantee
-  **365 Days** Free Update
-  **800,000+** Satisfied Customers





QUESTION 1

What value will be displayed in the array w/ subset deleted and the deleted portion indicators after the VI completes execution?





- A.

array w/ subset deleted

0	4	5	0	0
---	---	---	---	---

deleted portion

0	1	2	3	0
---	---	---	---	---

- B.

array w/ subset deleted

0	1	2	0	0
---	---	---	---	---

deleted portion

0	3	4	5	0
---	---	---	---	---

- C.

array w/ subset deleted

0	3	4	5	0
---	---	---	---	---

deleted portion

0	1	2	0	0
---	---	---	---	---

- D.

array w/ subset deleted

0	1	2	3	0
---	---	---	---	---

deleted portion

0	4	5	0	0
---	---	---	---	---

A. Option A

B. Option B

C. Option C

D. Option D

Correct Answer: D



QUESTION 2

Which of the following is the best method to update an indicator on the front panel?

- A. Use a Value property node
- B. Wire directly to the indicator terminal
- C. Use a local variable
- D. Use a functional global variable

Correct Answer: B

QUESTION 3

Which of the following display options are available for strings on the Front Panel?

- A. '\\\ Codes
- B. Password
- C. Hex
- D. All of the above

Correct Answer: D

QUESTION 4

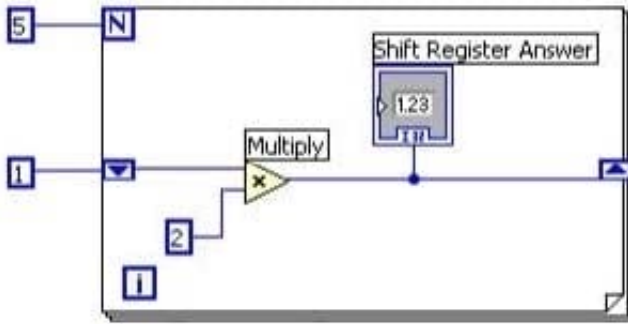
The following breakpoint does which of the following:

- A. Causes the VI to abort
- B. Causes the VI to pause
- C. Causes the VI to single step over the addition
- D. Causes the VI to single step over the indicator

Correct Answer: B

QUESTION 5

What is the value in Shift Register Answer after the following code has executed?



- A. 16
- B. 24
- C. 32
- D. 10

Correct Answer: C

[CLAD PDF Dumps](#)

[CLAD Study Guide](#)

[CLAD Exam Questions](#)