



CLAD^{Q&As}

Certified LabVIEW Associate Developer Examination

Pass EC-COUNCIL CLAD Exam with 100% Guarantee

Free Download Real Questions & Answers **PDF** and **VCE** file from:

<https://www.passapply.com/clad.html>

100% Passing Guarantee
100% Money Back Assurance

Following Questions and Answers are all new published by EC-COUNCIL Official Exam Center

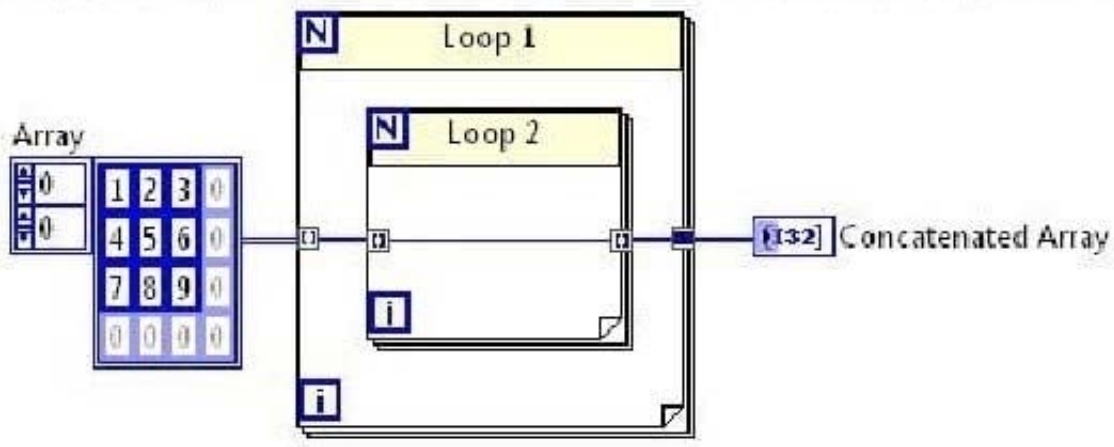
-  **Instant Download** After Purchase
-  **100% Money Back** Guarantee
-  **365 Days** Free Update
-  **800,000+** Satisfied Customers





QUESTION 1

What value will be displayed in Concatenated Array indicator when the VI completes execution?



- A.
- B.
- C.
- D.

A. Option A

B. Option B

C. Option C

D. Option D

Correct Answer: A

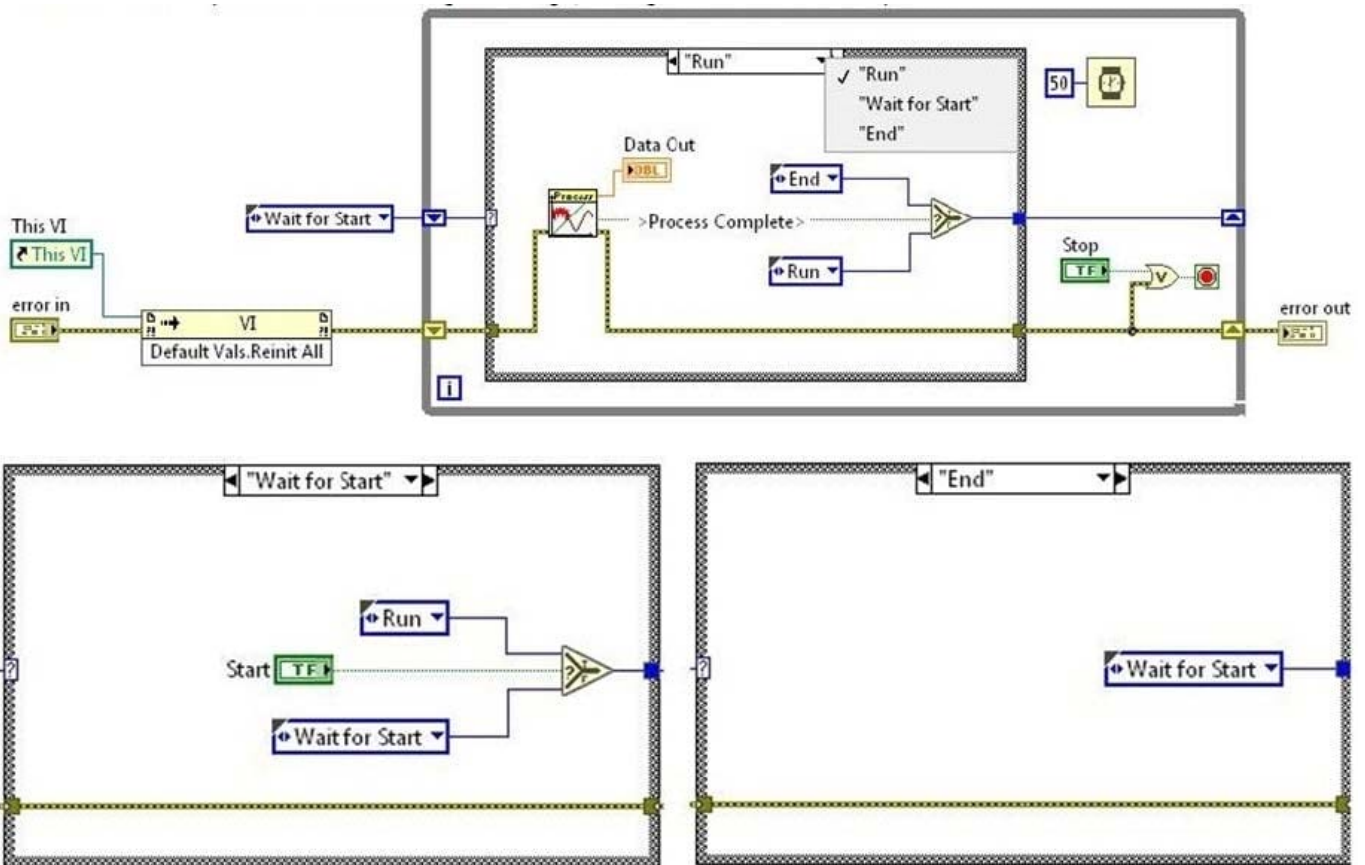


QUESTION 2

The operator of this VI presses the run arrow, then presses the Start button.

After 3 seconds the Process SubVI sends a "True" value for "Process Complete."

What is the entire sequence of States this VI goes through, starting when the run arrow is pressed?



- A. Run, Wait for Start, End, Wait for Start
- B. Run, Wait for Start, End
- C. Wait for Start, Run, End, Wait for Start
- D. Wait for Start, Run, End

Correct Answer: B

QUESTION 3

Which of the following statements is false?

- A. A SubVI connector pane defines where to wire inputs and outputs



- B. The color of a SubVI connector pane terminal matches the data type it is connected to
- C. You must have an icon/connector to use a SubVI
- D. A SubVI icon can be edited from the functions palette

Correct Answer: D

QUESTION 4

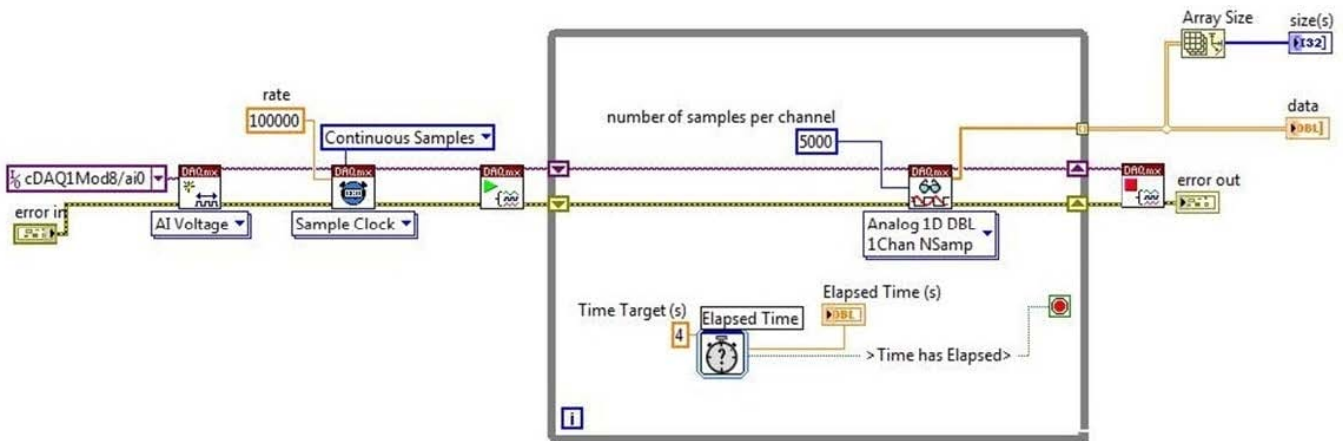
The following breakpoint does which of the following:

- A. Causes the VI to abort
- B. Causes the VI to pause
- C. Causes the VI to single step over the addition
- D. Causes the VI to single step over the indicator

Correct Answer: B

QUESTION 5

After this VI runs, what will be the size of the Data indicator array?



- A. 80 rows, 5000 columns
- B. 20 rows, 5000 columns
- C. 401 rows, 5000 columns
- D. 81 rows, 5000 columns

Correct Answer: D



VCE & PDF

PassApply.com

<https://www.passapply.com/clad.html>

2024 Latest passapply CLAD PDF and VCE dumps Download

[Latest CLAD Dumps](#)

[CLAD Study Guide](#)

[CLAD Exam Questions](#)