



830-01^{Q&As}

RCPE Certified Professional WAN Optimization

Pass Riverbed 830-01 Exam with 100% Guarantee

Free Download Real Questions & Answers **PDF** and **VCE** file from:

<https://www.passapply.com/830-01.html>

100% Passing Guarantee
100% Money Back Assurance

Following Questions and Answers are all new published by Riverbed
Official Exam Center

-  **Instant Download** After Purchase
-  **100% Money Back** Guarantee
-  **365 Days** Free Update
-  **800,000+** Satisfied Customers





QUESTION 1

Which of the following commands would allow you to generate a system dump from the CLI?

- A. sysdump
- B. dump generate
- C. debug generate dump
- D. sysdump generate dump
- E. dump generate -w filename

Correct Answer: C

QUESTION 2

Which deployment options are available to Virtual SteelHead on ESXi?

- A. Physical In-path (with Riverbed bypass NIC)
- B. Virtual In-path
- C. Out-of-path
- D. Server-side Out-of-Path
- E. All of the above

Correct Answer: ABC

QUESTION 3

When manually registering a Steelhead appliance on the Central Management Console (CMC) appliance:

- A. The serial number and IP address must match what is on the Steelhead appliance
- B. The MAC address and IP address must match what is on the Steelhead appliance
- C. The serial number and hostname must match what is on the Steelhead appliance
- D. The serial number is independent of the hostname, as the hostname of the Steelhead appliance on the CMC appliance will get overwritten if there is a different hostname on the Steelhead appliance
- E. Both A and D

Correct Answer: E



QUESTION 4

What do the log messages below mean?

Aug 30 18:19:27 SH pm[18716]: [pm.ERR]: Output from sport:

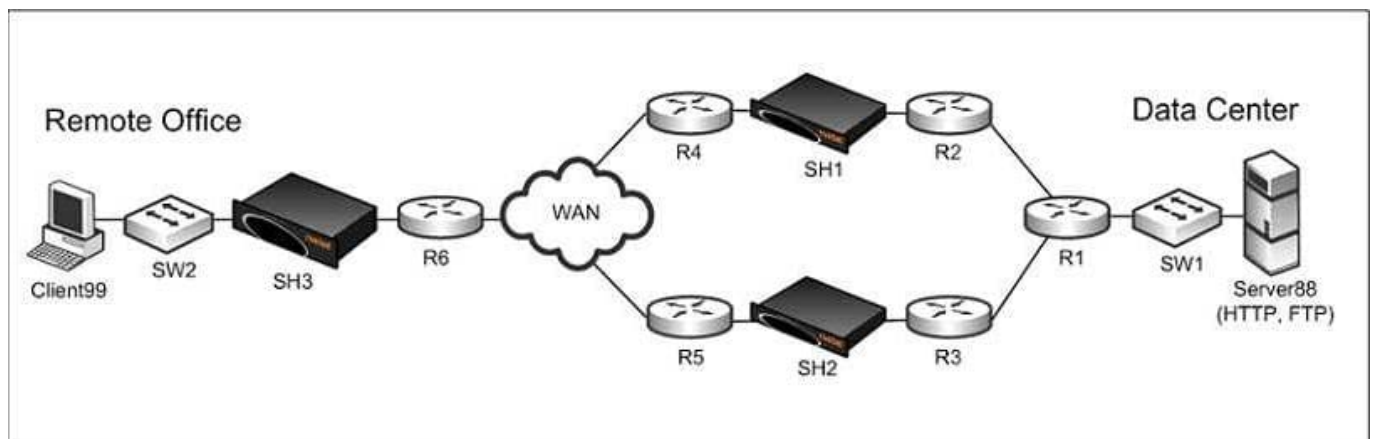
/opt/rbt/bin/sport (pid 11304) received signal 6 (SIGABRT) dumping core

- A. The SteelHead has been rebooted via the GUI or the CLI (init 6)
- B. The Optimization Service indicated that a thread was busy
- C. The Optimization Service received a signal to generate a system dump
- D. The Optimization Service terminated normally
- E. The Optimization Service crashed

Correct Answer: E

QUESTION 5

Three Steelhead appliances SH1, SH2, and SH3 are deployed as shown in the exhibit. They are all using the default auto-discovery rule for optimization. However, CLIENT99 experiences a failure when attempting to access either the HTTP or FTP service on SERVER88. CLIENT99 was able to access these services prior to the deployment of the three Steelhead appliances.



Which of the following choices would most likely correct the problem?

- A. Remove SH2. Use only SH1 and SH3.
- B. Remove SH1. Use only SH2 and SH3.
- C. Turn on Connection Forwarding between SH1 and SH2
- D. Turn on Connection Forwarding between SH1 and SH3
- E. Turn on Connection Forwarding between SH2 and SH3

Correct Answer: C



VCE & PDF

PassApply.com

<https://www.passapply.com/830-01.html>

2024 Latest passapply 830-01 PDF and VCE dumps Download

[Latest 830-01 Dumps](#)

[830-01 Exam Questions](#)

[830-01 Braindumps](#)