



71800X^{Q&As}

71800X - Avaya IX Messaging Implementation and Maintenance

Pass Avaya 71800X Exam with 100% Guarantee

Free Download Real Questions & Answers **PDF** and **VCE** file from:

<https://www.passapply.com/71800x.html>

100% Passing Guarantee
100% Money Back Assurance

Following Questions and Answers are all new published by Avaya
Official Exam Center

-  **Instant Download** After Purchase
-  **100% Money Back** Guarantee
-  **365 Days** Free Update
-  **800,000+** Satisfied Customers





QUESTION 1

Avaya IX™ Messaging stores the log files in which location?

- A. IX-Messaging Install drive > UC > IX > Logs
- B. IX-Messaging Install drive > UC > Logs
- C. IX-Messaging Install drive > UC > OL > Logs
- D. IX-Messaging Install drive > UC > Admin > Logs

Correct Answer: C

QUESTION 2

In Avaya IX™ Messaging, which service provides unified messaging synchronization to Google through Gmail API, Office365 using EWS link, any IMAP4 compliant email application?

- A. Message Networking
- B. IIS Web Service
- C. Content sync engine
- D. Transcription

Correct Answer: C

QUESTION 3

In Avaya IX™ Messaging High Availability, which server conducts the Database Management operation?

- A. Consolidated Server
- B. Mobilink Server
- C. Web or TSE Server
- D. Primary Server

Correct Answer: D

QUESTION 4

If there are data sync issues between the CS and the VSNs, which log folder you would look into?

- A. IX-Messaging Install drive > UC > IX > Logs

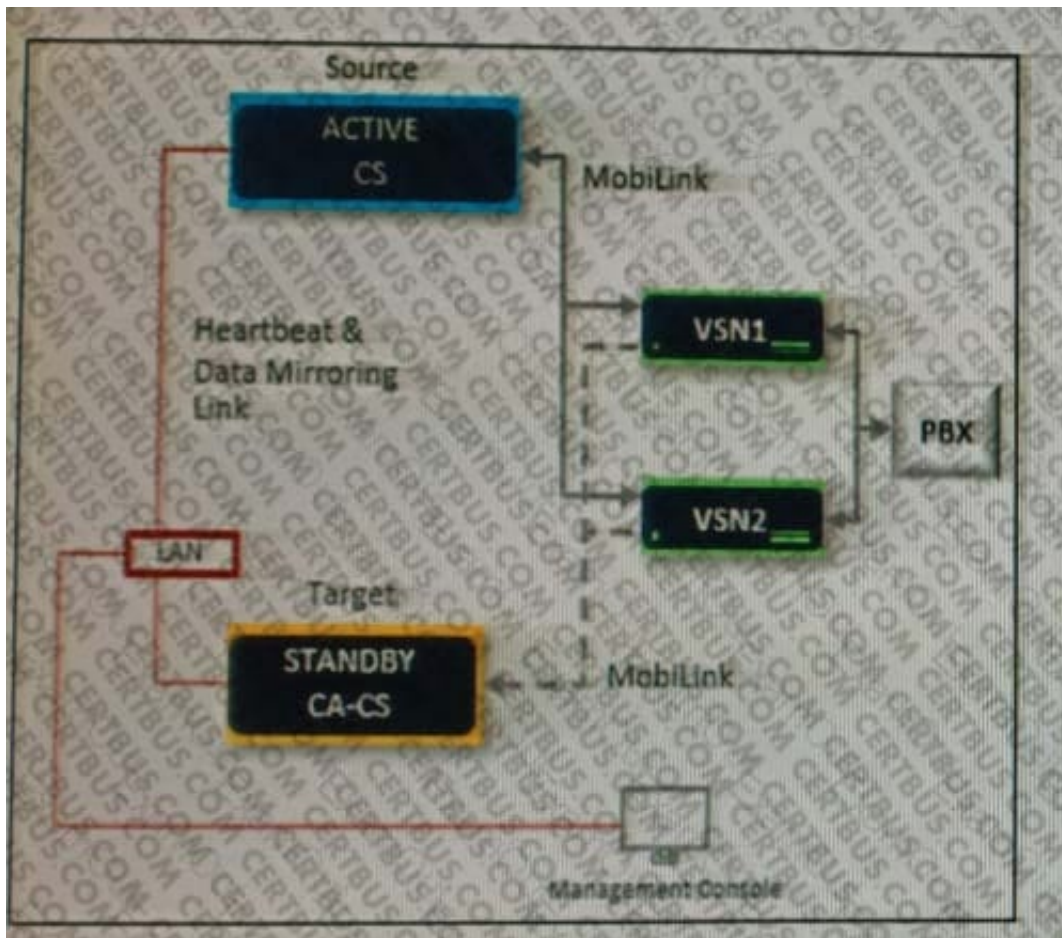


- B. IX-Messaging Install drive > UC > Logs
- C. IX-Messaging Install drive > UC > DB > Logs
- D. IX-Messaging Install drive > UC > Logs > DB

Correct Answer: C

QUESTION 5

Refer to the exhibit.



What is illustrated in the exhibit?

- A. VSN Architecture for Disaster Recovery
- B. Carbonite availability of the Consolidated Server for Disaster Recovery
- C. Two consolidated servers in the active-active mode
- D. A Management Console allowing Avaya IXTM Messaging moves, adds, and changes

Correct Answer: A



VCE & PDF

PassApply.com

<https://www.passapply.com/71800x.html>

2024 Latest passapply 71800X PDF and VCE dumps Download

[Latest 71800X Dumps](#)

[71800X Practice Test](#)

[71800X Exam Questions](#)