



# 642-996<sup>Q&As</sup>

Designing Cisco Data Center Unified Fabric

## Pass Cisco 642-996 Exam with 100% Guarantee

Free Download Real Questions & Answers **PDF** and **VCE** file from:

<https://www.passapply.com/642-996.html>

100% Passing Guarantee  
100% Money Back Assurance

Following Questions and Answers are all new published by Cisco  
Official Exam Center

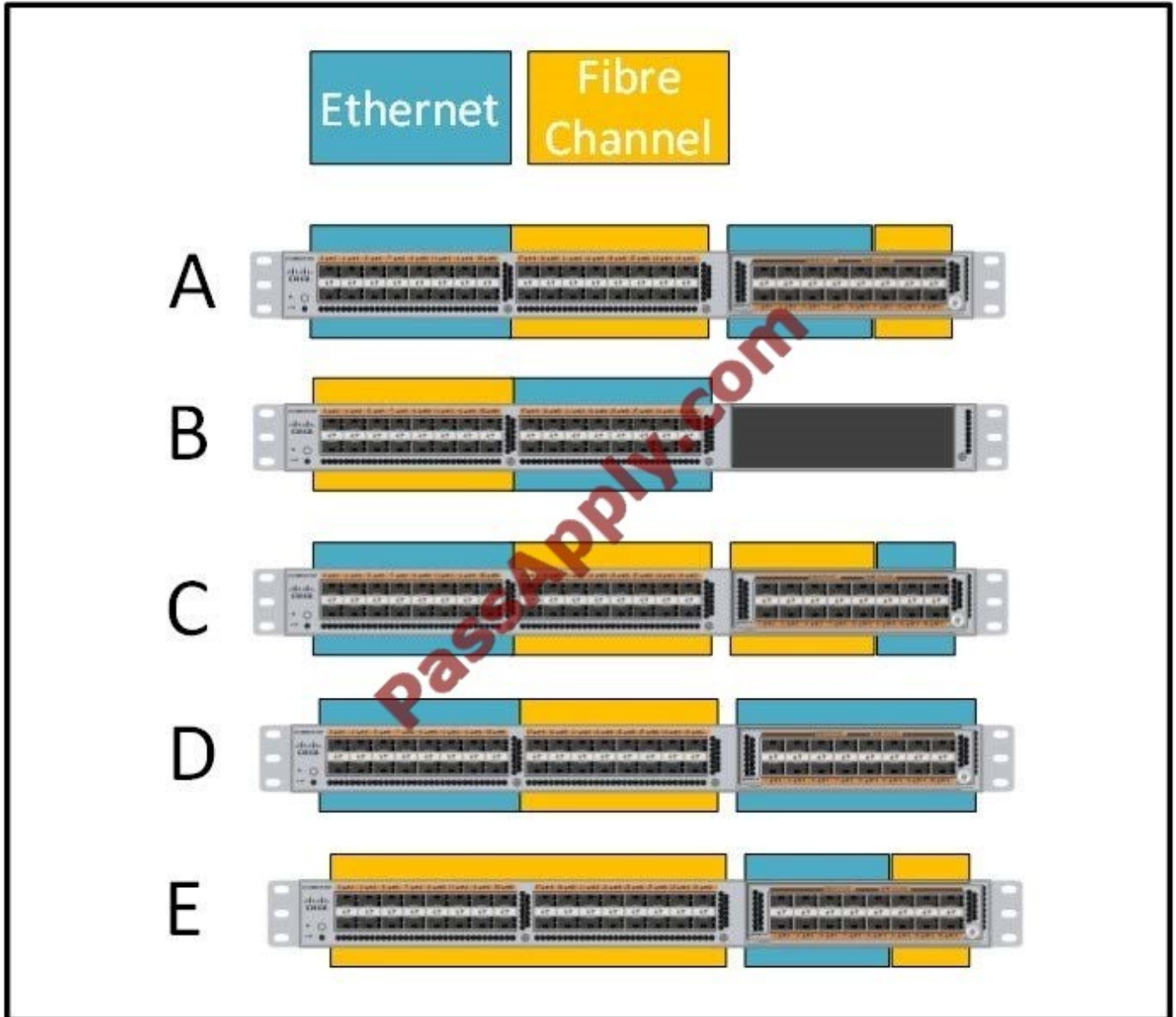
-  **Instant Download** After Purchase
-  **100% Money Back** Guarantee
-  **365 Days** Free Update
-  **800,000+** Satisfied Customers





QUESTION 1

Refer to the exhibit.



Which three options are valid port configurations for the Cisco Nexus 5548UP? (Choose three.)

- A. A
- B. B
- C. C
- D. D
- E. E

Correct Answer: ADE



### QUESTION 2

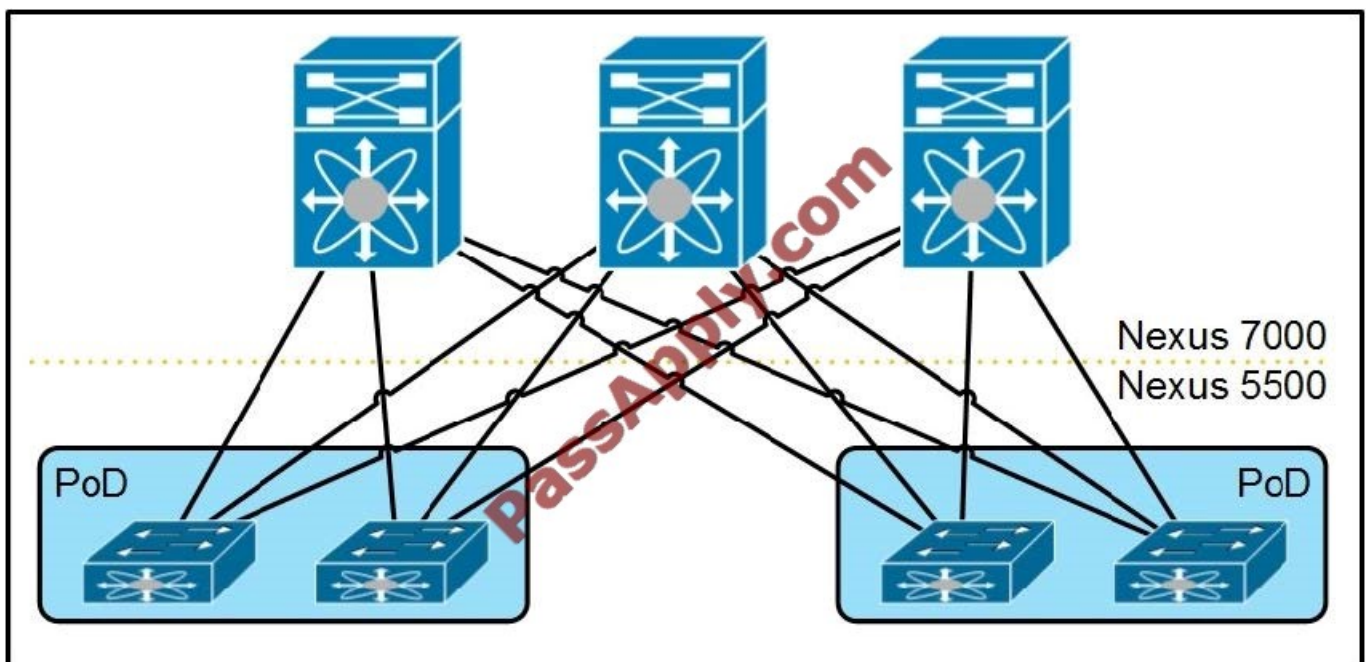
Which option is a characteristic of a Class 3 F Fibre Channel service?

- A. connection-oriented
- B. end-to-end flow control
- C. packet-switched
- D. confirmed delivery

Correct Answer: C

### QUESTION 3

Refer to the exhibit.



Which technology achieves Layer 2 adjacencies across PoDs and features equal-cost forwarding on all links in topologies like the one shown?

- A. vPC+
- B. IS-IS level 2
- C. multiple spanning-trees
- D. FabricPath

Correct Answer: D



#### QUESTION 4

What is one required component to run FCoE?

- A. iSCSI gateway
- B. Fibre Channel adapter
- C. HBA
- D. Converged network adaptors

Correct Answer: D

---

#### QUESTION 5

Your customer has asked you to recommend a data center storage design that includes Multihop FCoE for 400 database servers running on Cisco UCS C460M2 Rack Servers with Cisco UCS VIC 1225. Which of these server connectivity options is Cisco recommended for scalability and cost-effectiveness?

- A. Server > Cisco Nexus 5548UP > Cisco Nexus 7018 > CISCO MDS 9500
- B. Server > Cisco Nexus 3548 > Cisco Nexus 7018 > CISCO MDS 9500
- C. Server > Cisco Nexus 2232PP > Cisco Nexus 7018 > CISCO MDS 9500
- D. Server > Cisco Nexus 4001i > Cisco Nexus 7018 > CISCO MDS 9500

Correct Answer: C

[642-996 VCE Dumps](#)

[642-996 Practice Test](#)

[642-996 Exam Questions](#)



To Read the [Whole Q&As](#), please purchase the [Complete Version](#) from [Our website](#).

## Try our product !

100% Guaranteed Success  
100% Money Back Guarantee  
365 Days Free Update  
Instant Download After Purchase  
24x7 Customer Support  
Average 99.9% Success Rate  
More than 800,000 Satisfied Customers Worldwide  
Multi-Platform capabilities - [Windows](#), [Mac](#), [Android](#), [iPhone](#), [iPod](#), [iPad](#), [Kindle](#)

We provide exam PDF and VCE of Cisco, Microsoft, IBM, CompTIA, Oracle and other IT Certifications. You can view Vendor list of All Certification Exams offered:

<https://www.passapply.com/allproducts>

## Need Help

Please provide as much detail as possible so we can best assist you.  
To update a previously submitted ticket:



 <p><b>One Year Free Update</b> Free update is available within One Year after your purchase. After One Year, you will get 50% discounts for updating. And we are proud to boast a 24/7 efficient Customer Support system via Email.</p>	 <p><b>Money Back Guarantee</b> To ensure that you are spending on quality products, we provide 100% money back guarantee for 30 days from the date of purchase.</p>	 <p><b>Security &amp; Privacy</b> We respect customer privacy. We use McAfee's security service to provide you with utmost security for your personal information &amp; peace of mind.</p>
---	---	--

Any charges made through this site will appear as Global Simulators Limited.  
All trademarks are the property of their respective owners.  
Copyright © passapply, All Rights Reserved.