



642-618^{Q&As}

Deploying Cisco ASA Firewall Solutions (FIREWALL v2.0)

Pass Cisco 642-618 Exam with 100% Guarantee

Free Download Real Questions & Answers **PDF** and **VCE** file from:

<https://www.passapply.com/642-618.html>

100% Passing Guarantee
100% Money Back Assurance

Following Questions and Answers are all new published by Cisco
Official Exam Center

-  **Instant Download** After Purchase
-  **100% Money Back** Guarantee
-  **365 Days** Free Update
-  **800,000+** Satisfied Customers





QUESTION 1

A Cisco ASA appliance running software version 8.4.1 has an active botnet traffic filter license with 1 month left on the time-based license. Which option describes the result if a new botnet traffic filter with a 1 year time-based license is activated also?

- A. The time-based license for the botnet traffic filter is valid only for another month.
- B. The time-based license for the botnet traffic filter is valid for another 12 months.
- C. The time-based license for the botnet traffic filter is valid for another 13 months.
- D. The new 1 year time-based license for the botnet traffic filter cannot be activated until the current botnet traffic filter license expires in a month.

Correct Answer: C

http://www.cisco.com/en/US/prod/collateral/vpndevc/ps6032/ps6094/ps6120/product_bulletin_c_25-593781.html

Time-based license stacking: Customers can extend time-based licenses such as Botnet Traffic Filter and SSL VPN Burst by applying multiple licenses.

QUESTION 2

Which logging mechanism is configured using MPF and allows high-volume traffic-related events to be exported from the Cisco ASA appliance in a more efficient and scalable manner compared to classic syslog logging?

- A. SDEE
- B. Secure SYSLOG
- C. XML
- D. NSEL
- E. SNMPv3

Correct Answer: D

http://www.cisco.com/en/US/docs/security/asa/asa82/configuration/guide/monitor_nsel.html#wp_1111174

QUESTION 3

Which two configurations are the minimum needed to enable EIGRP on the Cisco ASA appliance? (Choose two.)

- A. Enable the EIGRP routing process and specify the AS number.
- B. Define the EIGRP default-metric.
- C. Configure the EIGRP router ID.



- D. Use the neighbor command(s) to specify the EIGRP neighbors.
- E. Use the network command(s) to enable EIGRP on the Cisco ASA interface(s).

Correct Answer: AE

http://www.cisco.com/en/US/products/ps6120/products_configuration_example09186a008086eb_d2.shtml

!EIGRP Configuration - the CLI configuration is very similar to the !Cisco IOS router EIGRP configuration.

QUESTION 4

With Cisco ASA active/standby failover, what is needed to enable subsecond failover?

- A. Use redundant interfaces.
- B. Enable the stateful failover interface between the primary and secondary Cisco ASA.
- C. Decrease the default unit failover polltime to 300 msec and the unit failover holdtime to 900 msec.
- D. Decrease the default number of monitored interfaces to 1.

Correct Answer: C

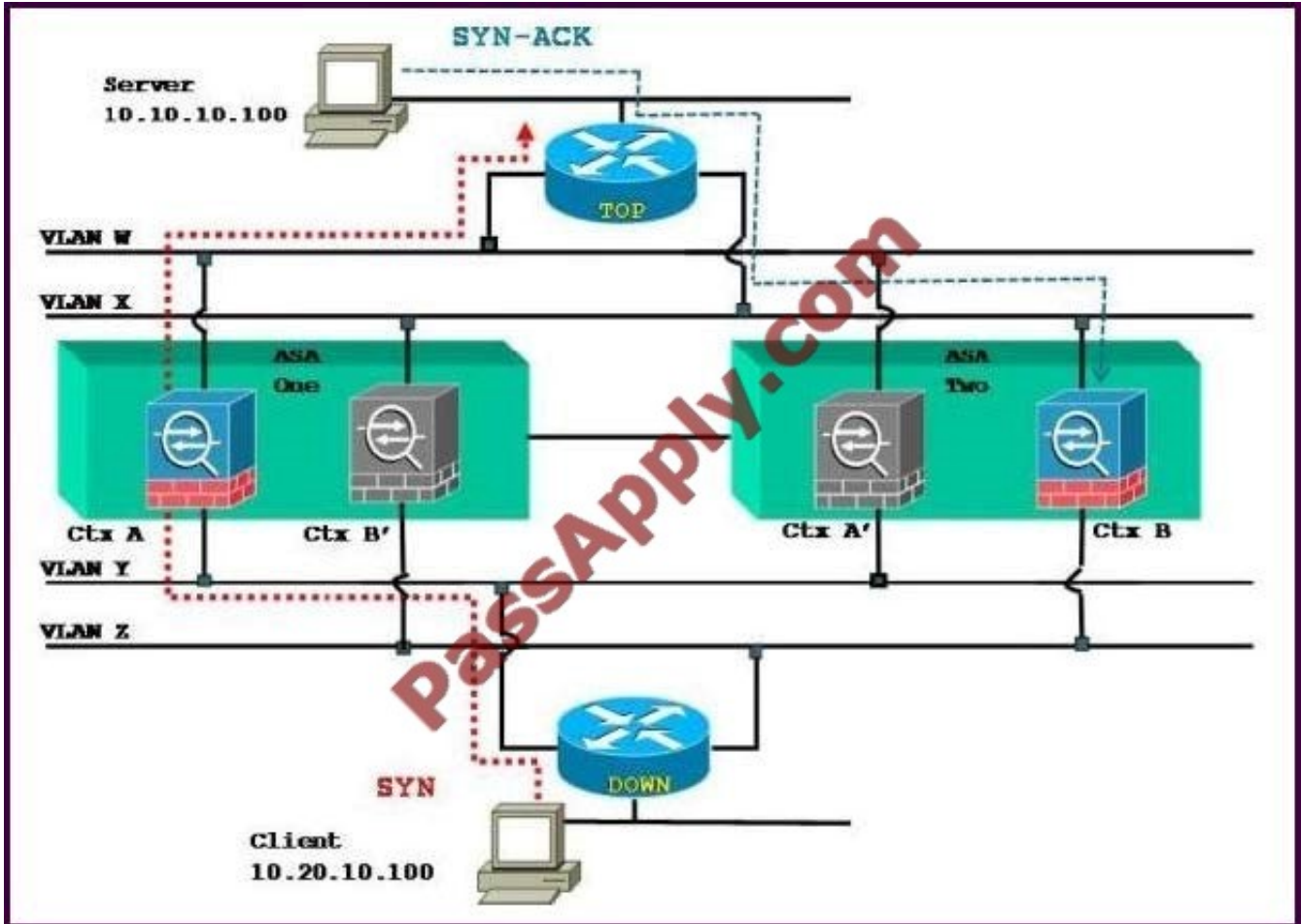
http://www.cisco.com/en/US/docs/security/asa/asa83/asdm63/configuration_guide/ha_active_standby.html

Configuring the Unit and Interface Health Poll Times The adaptive security appliance sends hello packets out of each data interface to monitor interface health. The appliance sends hello messages across the failover link to monitor unit health. If the adaptive security appliance does not receive a hello packet from the corresponding interface on the peer unit for over half of the hold time, then the additional interface testing begins. If a hello packet or a successful test result is not received within the specified hold time, the interface is marked as failed. Failover occurs if the number of failed interfaces meets the failover criteria.

Decreasing the poll and hold times enables the adaptive security appliance to detect and respond to interface failures more quickly, but may consume more system resources. Increasing the poll and hold times prevents the adaptive security appliance from failing over on networks with higher latency.

QUESTION 5

Refer to the exhibit.



Which two configurations are required on the Cisco ASAs so that the return traffic from the 10.10.10.100 outside server back to the 10.20.10.100 inside client can be rerouted from the Active Ctx B context in ASA Two to the Active Ctx A context in ASA One? (Choose two.)

- A. stateful active/active failover
- B. dynamic routing (EIGRP or OSPF or RIP)
- C. ASR-group
- D. no NAT-control
- E. policy-based routing
- F. TCP/UDP connections replication

Correct Answer: AC

http://www.cisco.com/en/US/docs/security/asa/asa82/configuration/guide/ha_active_active.html

Configuring Support for Asymmetrically Routed Packets When running in Active/Active failover, a unit may receive a return packet for a connection that originated through its peer unit. Because the ASA that receives the packet does not have any connection information for the packet, the packet is dropped. This most commonly occurs when the two ASAs in an Active/Active failover pair are connected to different service providers and the outbound connection does not use a NAT address.



You can prevent the return packets from being dropped using the asr-group command on interfaces where this is likely to occur. When an interface configured with the asr-group command receives a packet for which it has no session information, it checks the session information for the other interfaces that are in the same group. If it does not find a match, the packet is dropped. If it finds a match, then one of the following actions occurs:

-If the incoming traffic originated on a peer unit, some or all of the layer 2 header is rewritten and the packet is redirected to the other unit. This redirection continues as long as the session is active. -If the incoming traffic originated on a different interface on the same unit, some or all of the layer 2 header is rewritten and the packet is reinjected into the stream.

[642-618 PDF Dumps](#)

[642-618 Exam Questions](#)

[642-618 Brindumps](#)



To Read the [Whole Q&As](#), please purchase the [Complete Version](#) from [Our website](#).

Try our product !

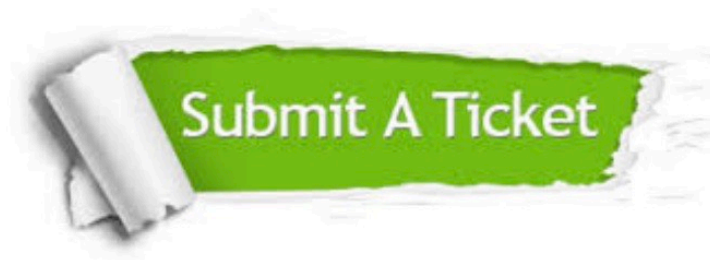
100% Guaranteed Success
100% Money Back Guarantee
365 Days Free Update
Instant Download After Purchase
24x7 Customer Support
Average 99.9% Success Rate
More than 800,000 Satisfied Customers Worldwide
Multi-Platform capabilities - [Windows](#), [Mac](#), [Android](#), [iPhone](#), [iPod](#), [iPad](#), [Kindle](#)

We provide exam PDF and VCE of Cisco, Microsoft, IBM, CompTIA, Oracle and other IT Certifications.
You can view Vendor list of All Certification Exams offered:

<https://www.passapply.com/allproducts>

Need Help

Please provide as much detail as possible so we can best assist you.
To update a previously submitted ticket:



 <p>One Year Free Update Free update is available within One Year after your purchase. After One Year, you will get 50% discounts for updating. And we are proud to boast a 24/7 efficient Customer Support system via Email.</p>	 <p>Money Back Guarantee To ensure that you are spending on quality products, we provide 100% money back guarantee for 30 days from the date of purchase.</p>	 <p>Security & Privacy We respect customer privacy. We use McAfee's security service to provide you with utmost security for your personal information & peace of mind.</p>
---	---	--

Any charges made through this site will appear as Global Simulators Limited.
All trademarks are the property of their respective owners.
Copyright © passapply, All Rights Reserved.