



# 642-447<sup>Q&As</sup>

Implementing Cisco Unified Communications Manager, Part 1 v8.0  
(CIPT1 v8.0)

## Pass Cisco 642-447 Exam with 100% Guarantee

Free Download Real Questions & Answers **PDF** and **VCE** file from:

<https://www.passapply.com/642-447.html>

100% Passing Guarantee  
100% Money Back Assurance

Following Questions and Answers are all new published by Cisco  
Official Exam Center

-  **Instant Download** After Purchase
-  **100% Money Back** Guarantee
-  **365 Days** Free Update
-  **800,000+** Satisfied Customers





### QUESTION 1

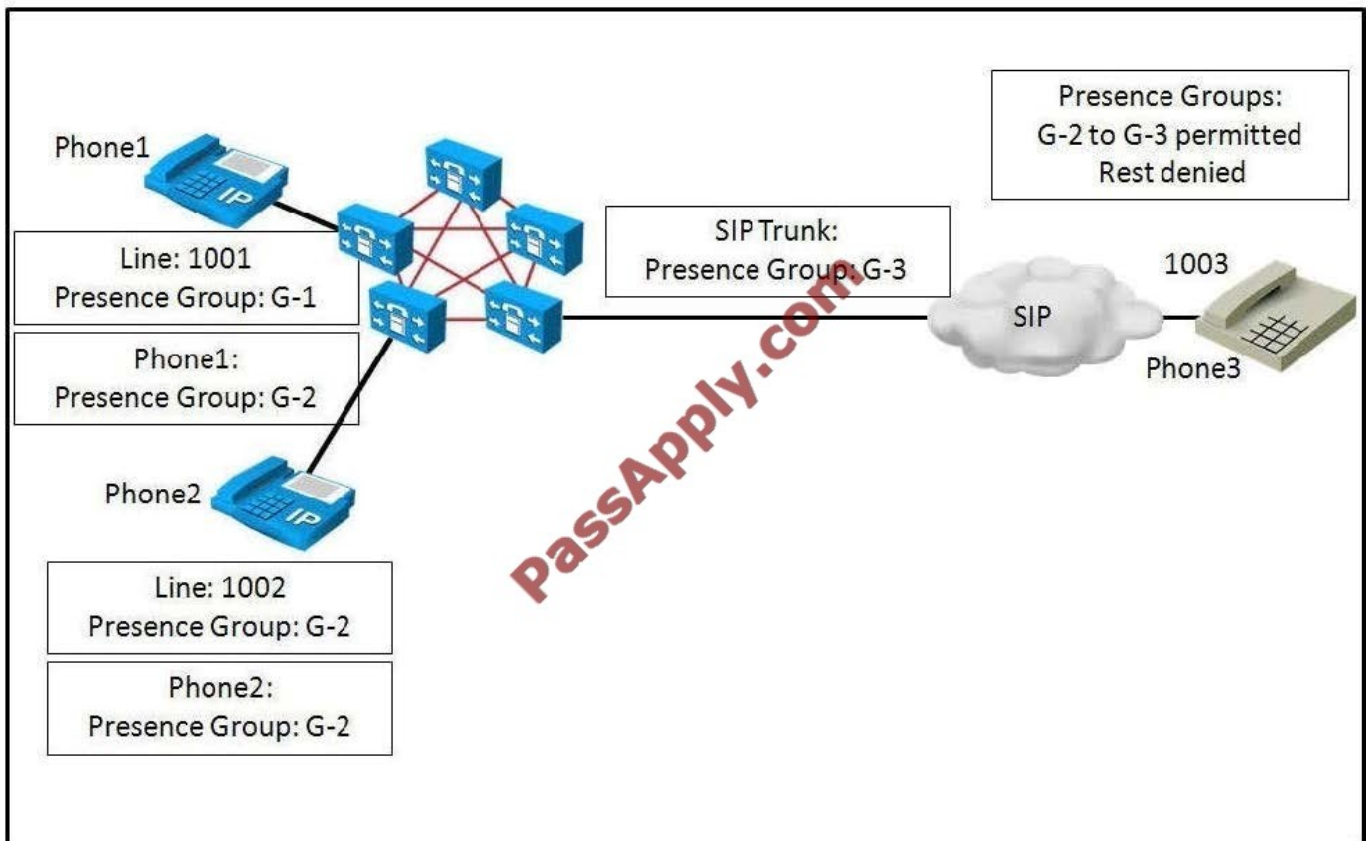
Which three events describe the relationship of an IP phone to its secondary subscriber in a Cisco Unified Communications Manager system? (Choose three.)

- A. The IP Phone sends a TCP connect message.
- B. The IP Phone sends a TCP keepalive message every 30 seconds.
- C. The IP Phone sends a TCP keepalive message every 60 seconds.
- D. The IP Phone registers with the primary system when the secondary system is unavailable.
- E. The IP Phone attempts to register with the secondary system when the primary system is unavailable.
- F. The IP Phone registers with all the Cisco Unified Communications Manager subscribers in the group simultaneously, including the secondary subscriber.

Correct Answer: ABE

### QUESTION 2

Refer to the Exhibit



Which two of these statements about call lists enabled for Cisco Unified Presence are true? (Choose two)



- A. 1001 can watch 1002
- B. 1001 cannot watch 1003
- C. 1002 can watch 1001
- D. 1002 can watch 1003
- E. 1003 can watch 1001

Correct Answer: AD

---

### QUESTION 3

What should you use to assign devices to a Cisco Unified Communications Manager group?

- A. redundancy group
- B. device pool
- C. device group
- D. assignment group

Correct Answer: B

---

### QUESTION 4

Which step is the first to add an extra speed dial to your Cisco IP Phone?

- A. Configure the default softkey template to have an additional speed dial.
- B. Create a softkey template with an additional speed dial.
- C. Configure the default phone button template to have an additional speed dial.
- D. Create a new phone button template with an additional speed dial.

Correct Answer: D

---

### QUESTION 5

Which two of these describe Meet-Me conferencing? (Choose two)

- A. The conference originator of the conference acts as the controller of the conference and is the only participant who can add or remove other participants.
- B. Any participant can add and remove other conference participants.
- C. Anyone who has calling privileges to call the directory number while the conference is active can join the conference.



D. Multiple ad hoc conference can be added.

E. A range of directory numbers must be allocated for exclusive use by the conference.

Correct Answer: CE

[Latest 642-447 Dumps](#)

[642-447 VCE Dumps](#)

[642-447 Study Guide](#)



To Read the [Whole Q&As](#), please purchase the [Complete Version](#) from [Our website](#).

## Try our product !

100% Guaranteed Success  
100% Money Back Guarantee  
365 Days Free Update  
Instant Download After Purchase  
24x7 Customer Support  
Average 99.9% Success Rate  
More than 800,000 Satisfied Customers Worldwide  
Multi-Platform capabilities - [Windows](#), [Mac](#), [Android](#), [iPhone](#), [iPod](#), [iPad](#), [Kindle](#)

We provide exam PDF and VCE of Cisco, Microsoft, IBM, CompTIA, Oracle and other IT Certifications. You can view Vendor list of All Certification Exams offered:

<https://www.passapply.com/allproducts>

## Need Help

Please provide as much detail as possible so we can best assist you.  
To update a previously submitted ticket:



 <p><b>One Year Free Update</b> Free update is available within One Year after your purchase. After One Year, you will get 50% discounts for updating. And we are proud to boast a 24/7 efficient Customer Support system via Email.</p>	 <p><b>Money Back Guarantee</b> To ensure that you are spending on quality products, we provide 100% money back guarantee for 30 days from the date of purchase.</p>	 <p><b>Security &amp; Privacy</b> We respect customer privacy. We use McAfee's security service to provide you with utmost security for your personal information &amp; peace of mind.</p>
---	---	--

Any charges made through this site will appear as Global Simulators Limited.  
All trademarks are the property of their respective owners.  
Copyright © passapply, All Rights Reserved.