



600-660^{Q&As}

Implementing Cisco Application Centric Infrastructure - Advanced

Pass Cisco 600-660 Exam with 100% Guarantee

Free Download Real Questions & Answers **PDF** and **VCE** file from:

<https://www.passapply.com/600-660.html>

100% Passing Guarantee
100% Money Back Assurance

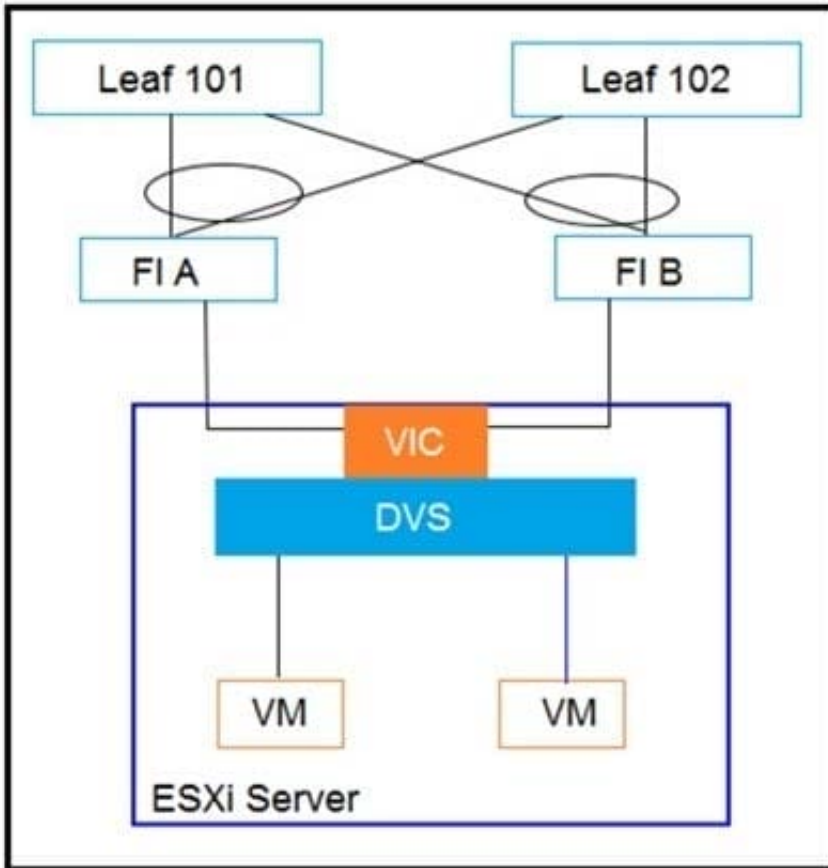
Following Questions and Answers are all new published by Cisco
Official Exam Center

-  **Instant Download** After Purchase
-  **100% Money Back** Guarantee
-  **365 Days** Free Update
-  **800,000+** Satisfied Customers





QUESTION 1

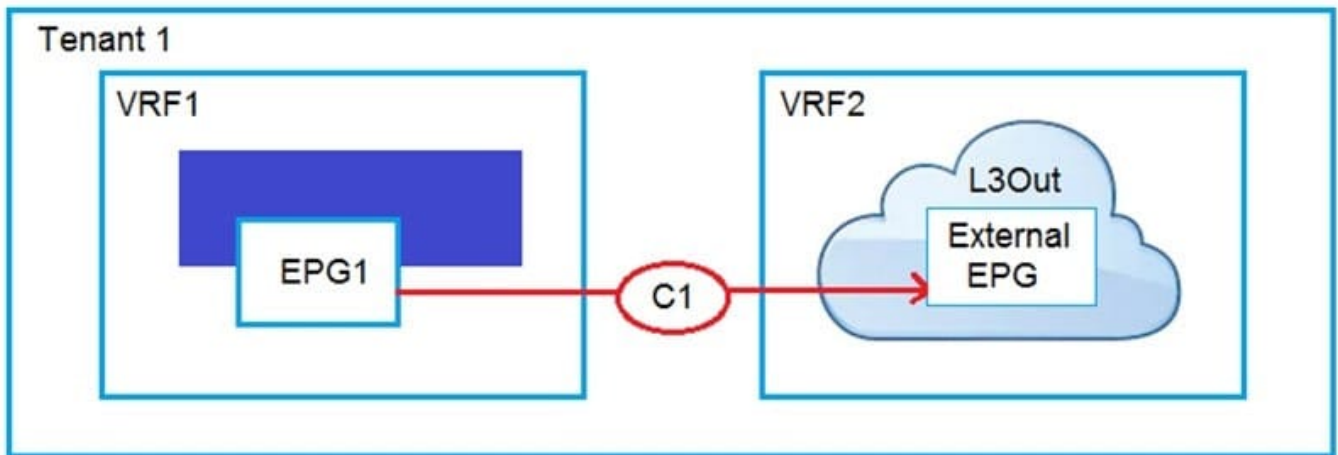


Refer to the exhibit. Between Cisco UCS FIs and Cisco ACI leaf switches, CDP is disabled, the LLDP is enabled, and LACP is in Active mode. Which two discovery protocols and load-balancing mechanism combinations can be implemented for the DVS? (Choose two.)

- A. CDP enabled, LLDP disabled, and LACP Active
- B. CDP disabled, LLDP enabled, and MAC Pinning
- C. CDP enabled, LLDP disabled, and MAC Pinning
- D. CDP enabled, LLDP enabled, and LACP Active
- E. CDP enabled, LLDP disabled, and LACP Passive
- F. CDP disabled, LLDP enabled, and LACP Passive

Correct Answer: BE

QUESTION 2



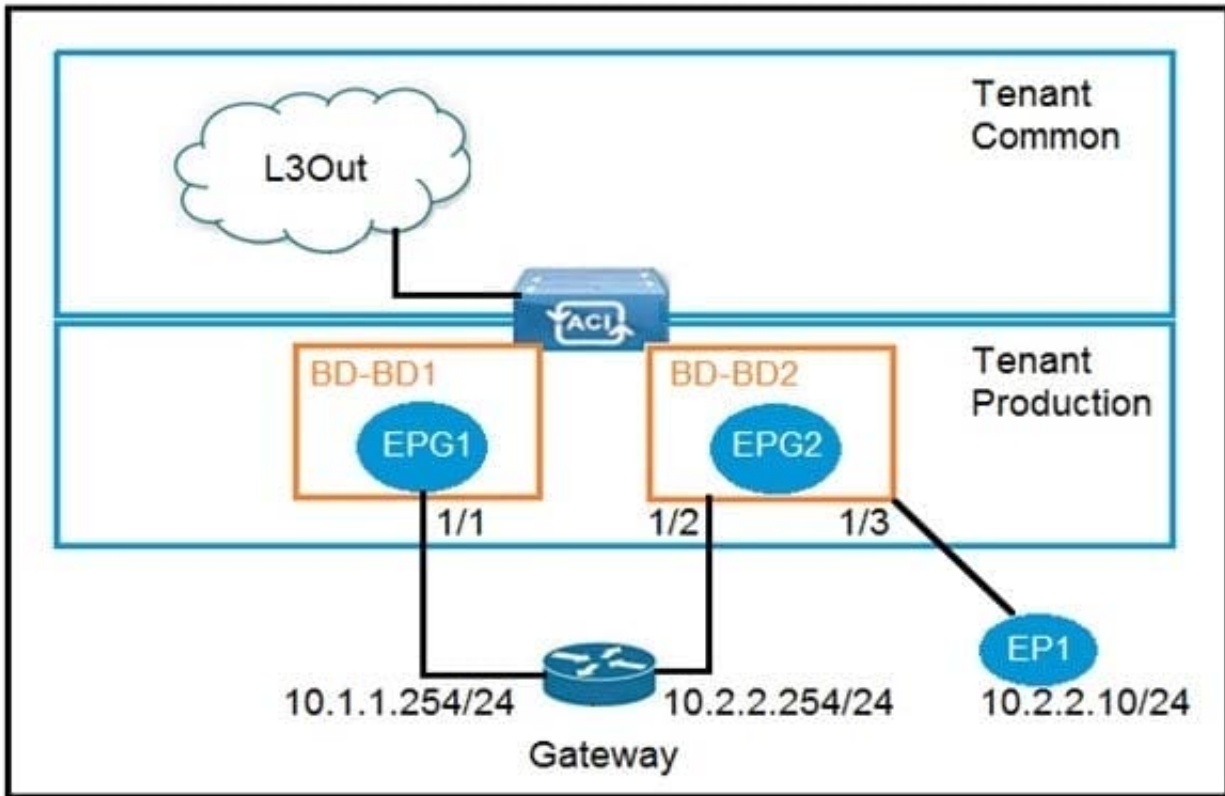
Refer to the exhibit. An engineer must have communication between EPG1 in VRF1 and External EPG in VRF2. Which three actions should be taken for the defined subnets in the L3Out External EPG to accomplish this goal? (Choose three.)

- A. Enable Shared Route Control Subnet
- B. Enable External Subnets for External EPG
- C. Enable Export Route Control Subnet
- D. Enable Shared Security Import Subnet
- E. Enable Aggregate Shared Routes
- F. Enable Import Route Control Subnet

Correct Answer: CDF

Reference: <https://www.cisco.com/c/en/us/solutions/collateral/data-center-virtualization/application-centric-infrastructure/guide-c07-743150.html>

QUESTION 3



Refer to the exhibit. An engineer wants to avoid connectivity problems for the endpoint EP1 when it reaches an external L3Out network through the gateway 10.2.2.254/24. Which two configurations must be implemented in BD-BD2? (Choose two.)

- A. Disable unicast routing
- B. Enable IP data plane learning for the VRF
- C. Disable ARP flooding
- D. Enable ARP flooding
- E. Enable unicast routing

Correct Answer: AC

QUESTION 4

Which two components must be configured as stretched to establish intra-VRF communication between two EPGs that are deployed in different sites and different bridge domains? (Choose two.)

- A. contract
- B. tenant
- C. application profile
- D. bridge domain



E. EPG

Correct Answer: DE

Reference: <https://www.cisco.com/c/en/us/solutions/collateral/data-center-virtualization/application-centric-infrastructure/white-paper-c11-739609.html>

QUESTION 5

What are two characteristics of network-centric design in Cisco ACI? (Choose two.)

- A. There is open communication between EPGs
- B. EPGs are used for microsegmentation
- C. EPGs are different security zones
- D. Applications define the network requirements
- E. A bridge domain has one subnet and one EPG

Correct Answer: BE

[600-660 PDF Dumps](#)

[600-660 VCE Dumps](#)

[600-660 Braindumps](#)