



50-696^{Q&As}

Foundations of Novell Open Enterprise Server NetWare

Pass Novell 50-696 Exam with 100% Guarantee

Free Download Real Questions & Answers **PDF** and **VCE** file from:

<https://www.passapply.com/50-696.html>

100% Passing Guarantee
100% Money Back Assurance

Following Questions and Answers are all new published by Novell
Official Exam Center

-  **Instant Download** After Purchase
-  **100% Money Back** Guarantee
-  **365 Days** Free Update
-  **800,000+** Satisfied Customers





QUESTION 1

Which of the following volume implementation strategies protects data by writing the same information redundantly to two or more hard disks at the same time?

- A. Parity
- B. Striping
- C. Spanning
- D. Mirroring

Correct Answer: D

QUESTION 2

You're designing your organization's eDirectory tree. You have decided to name your tree ACME_CORP- TREE. You've created a Country object below the tree root and named it US. Within C=US, you've created four Organization objects for each of your organization's functional divisions. To ease administration, you've decided to place your Admin user object directly below the tree root. Will this design work?

- A. Yes, all eDirectory rules have been observed.
- B. No, you can't use an underscore in the tree name.
- C. No, User objects can't reside directly below the tree root .
- D. No, Country objects can't reside directly below the tree root.
- E. No, Country objects must use the full name of the country they represent, not its abbreviation.
- F. No, if you use Country objects, the next level down the tree must represent geographic locations, not organizational divisions.

Correct Answer: C

QUESTION 3

You have several OES NetWare servers in your server room. You want to disable the SOUND BELL FOR ALERTS parameter to eliminate excessive beeps. Which command would you use to do this?

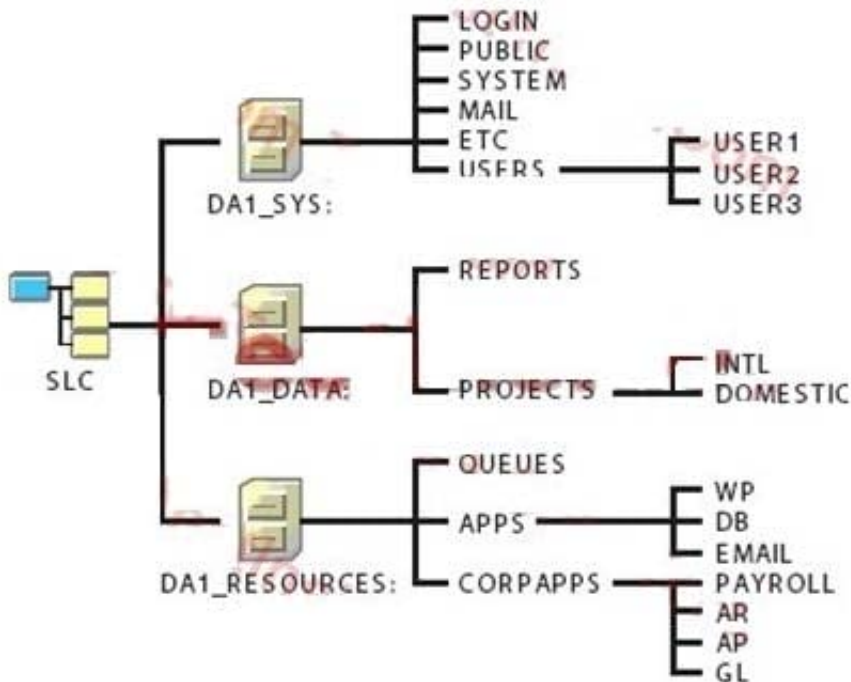
- A. SOUND BELL FOR ALERTS = OFF
- B. DISABLE SOUND BELL FOR ALERTS
- C. SET SOUND BELL FOR ALERTS = OFF
- D. SOUND BELL FOR ALERTS = DISABLED
- E. SET SOUND BELL FOR ALERTS = DISABLED



Correct Answer: C

QUESTION 4

Click the Exhibit button to begin.



Which element of the file system design shown in the exhibit violates Novell's recommendations?

- A. The MAIL directory should reside on a volume other than SYS.
- B. The QUEUES directory should be placed on a volume other than DATA.
- C. The USERS directory and subsequent subdirectories should not reside on SYS.
- D. The SYS, DATA, and RESOURCES volume objects should not be placed in the same container.
- E. The REPORTS, PROJECTS, QUEUES, APPS, and CORPAPPS directories shouldn't be split between DATA and RESOURCES.

Correct Answer: C

QUESTION 5

Your company has four regional offices. You are the overall administrator for the entire organization. Each regional office has its own network administrator. You allow yourself and each regional administrator to use the Admin user object to manage the eDirectory tree. You have configured each user object to require unique passwords and to limit grace logins to 3. All user objects for temporary employees have an expiration date assigned to them. Do these policies conform to Novell's security recommendations.?



- A. Yes, all Novell security recommendations have been met.
- B. No, you shouldn't allow users objects to have grace logins.
- C. No, you shouldn't assign user accounts to temporary employees.
- D. No, you shouldn't use multiple network administrators for the same tree.
- E. No, each container administrator should have their own user object with specific rights assigned.

Correct Answer: E

[50-696 PDF Dumps](#)

[50-696 Practice Test](#)

[50-696 Exam Questions](#)