



4A0-C01^{Q&As}

Nokia NRS II Composite Exam

Pass Nokia 4A0-C01 Exam with 100% Guarantee

Free Download Real Questions & Answers **PDF** and **VCE** file from:

<https://www.passapply.com/4a0-c01.html>

100% Passing Guarantee
100% Money Back Assurance

Following Questions and Answers are all new published by Nokia
Official Exam Center

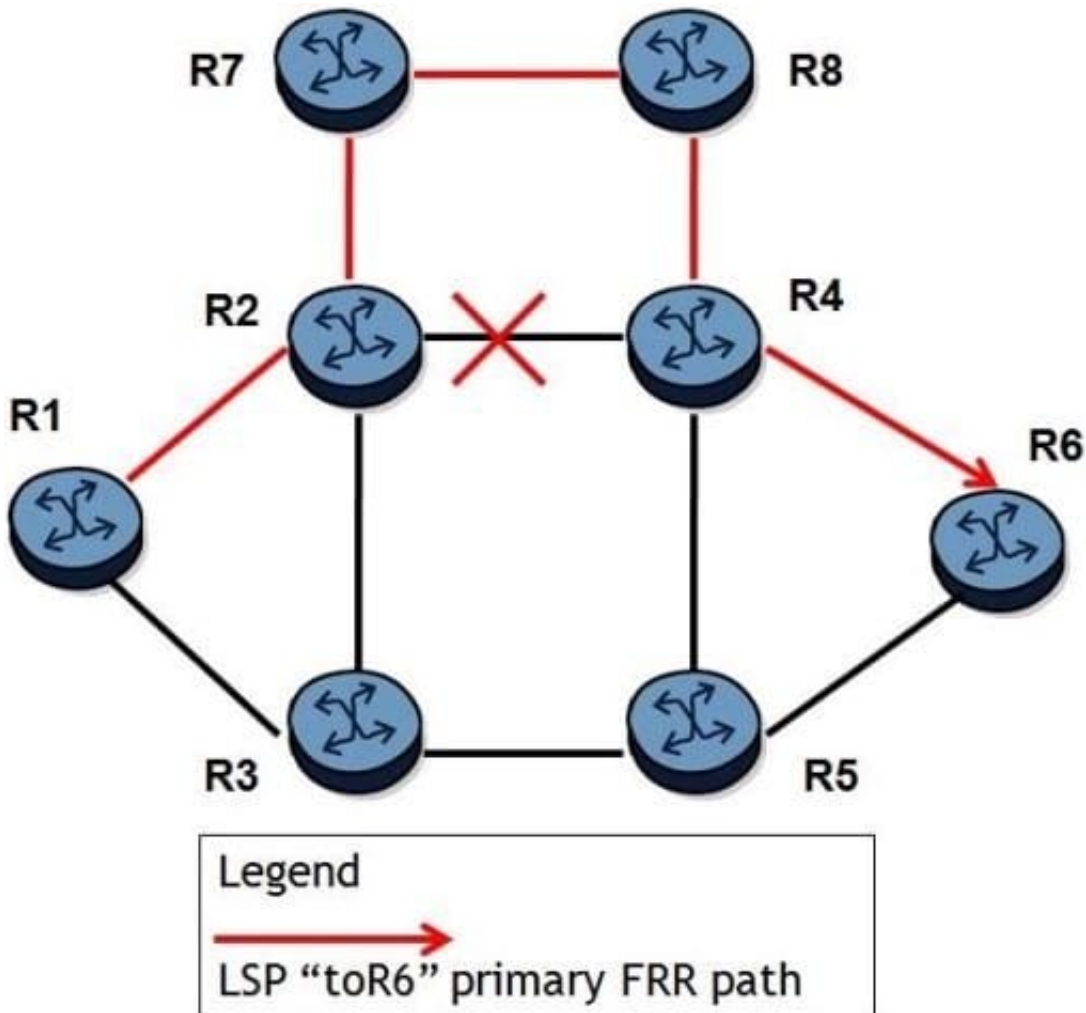
-  **Instant Download** After Purchase
-  **100% Money Back** Guarantee
-  **365 Days** Free Update
-  **800,000+** Satisfied Customers





QUESTION 1

Click on the exhibit.



A fully loose LSP "toR6" is enabled with FRR protection. All links have the same cost. After the link between R2 and R4 goes down, FRR protection repairs the LSP and traffic traverses on R1-R2-R7-R8-R4-R6. Which of the following about this CSPF-enabled LSP on an Alcatel-Lucent 7750 SR is TRUE?

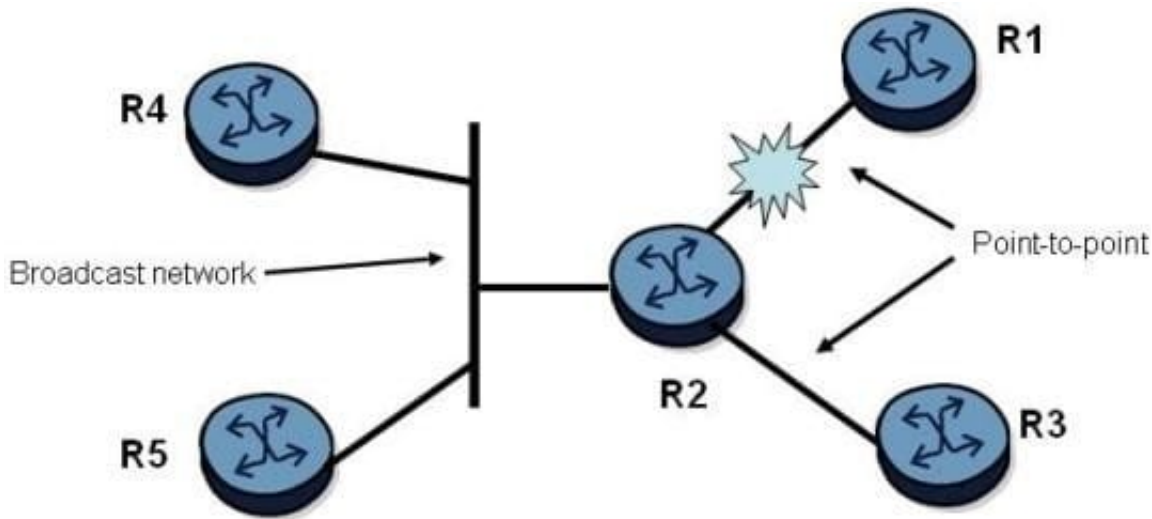
- A. The LSP will stay on the current path indefinitely unless another failure occurs.
- B. The LSP will stay on the current path until the resignal timer expires.
- C. The LSP will switchover to R1-R2-R3-R5-R6 after the resignal timer expires.
- D. The LSP will switchover to R1-R3-R5-R6 after the retry timer expires.

Correct Answer: D

QUESTION 2



Click on the exhibit.



OSPF router R2 has both point-to-point and broadcast interfaces and it is not a DR for any interfaces. Router R2 detects the link failure between itself and router R1.

Which of the following is correct?

- A. Router R2 sends an update to 224.0.0.5 on its broadcast and point-to-point interfaces. The DR does not send any updates.
- B. Router R2 sends an update to 244.0.0.5 on its point-to-point interfaces. The DR sends an update to 224.0.0.6 on the broadcast network.
- C. Router R2 sends an update to 224.0.0.5 out its point-to-point interfaces and an update to 224.0.0.6 out its broadcast interface. The DR sends updates to 224.0.0.5 on the broadcast network.
- D. Router R2 sends an update to 224.0.0.6 out its point-to-point interfaces and an update to 224.0.0.5 out its broadcast interface. The DR sends an update to 224.0.0.6 on the broadcast networks.

Correct Answer: C

QUESTION 3

Which OSPFv3 LSA type is generated by an ABR to advertise prefixes from one area to another?

- A. AS External
- B. Intra-Area Prefix
- C. Inter-Area Router
- D. Inter-Area Prefix

Correct Answer: A



QUESTION 4

Click the exhibit.

```
R4# show router ldp bindings
<...output omitted...>
=====
LDP Service FEC 128 Bindings
=====
Type      VCId      SvcId      SDPId      Peer              IngLbl  EgrLbl  LMTU  RMTU
-----
V-Eth    333       333        1          10.10.10.1       131061U  --      1500  0
V-Eth    333       333        2          10.10.10.2       131064U  131068  1500  1500
V-Eth    333       333        3          10.10.10.3       131063U  131063  1500  1500
=====
No. of VC Labels: 3
=====
```

This is output from router R4. Service 333 is a VPLS. Why does peer 10.10.10.1 not have an EgrLbl?

- A. The SDP to 10.10.10.1 on router R4 is shutdown.
- B. Router R4 has not sent a label to router R1 (10.10.10.1) yet.
- C. 10.10.10.1 has a different service MTU set.
- D. 10.10.10.1 has not sent a label to router R4 yet.

Correct Answer: D

QUESTION 5

Static routing will be used in a network between a corporate head office, with many connected networks, and a branch office, with one connection to the head office. Which of the following best describes the likely configuration?

- A. The corporate head office router will have a default route and the branch site will have a more specific static route.
- B. The corporate head office router and the branch office router will both have specific static routes.
- C. The corporate head office router and the branch router will both have default routes.
- D. The corporate head office router will have a more specific static route and the branch office router will have a default route.

Correct Answer: D

[Latest 4A0-C01 Dumps](#)

[4A0-C01 VCE Dumps](#)

[4A0-C01 Practice Test](#)