



4A0-105^{Q&As}

Alcatel-Lucent Virtual Private LAN Services

Pass Alcatel-Lucent 4A0-105 Exam with 100% Guarantee

Free Download Real Questions & Answers **PDF** and **VCE** file from:

<https://www.passapply.com/4a0-105.html>

100% Passing Guarantee
100% Money Back Assurance

Following Questions and Answers are all new published by Alcatel-Lucent Official Exam Center

-  **Instant Download** After Purchase
-  **100% Money Back** Guarantee
-  **365 Days** Free Update
-  **800,000+** Satisfied Customers





QUESTION 1

Click on the exhibit below.

```
ip-filter 40 create
  default-action forward
  entry 20 create
    match
      dst-ip 192.168.1.2/32
    exit
  action forward sdp 100:1
exit
exit
```

The following IP filter has been configured and applied to a SAP in a non-VPLS service. Which of the following statements is true?

- A. An error will be generated and the configuration will not be allowed.
- B. The filter entry will be ignored and traffic matching the criteria will be forwarded
- C. All traffic matching entry 20 will be dropped.
- D. Traffic matching entry 20 will be forwarded to sdp 100:1.

Correct Answer: C

QUESTION 2

Click on the exhibit below.



CE-A sends frames with 2 tags. If the SAP on PE-A is "sap 1/1/1:1 ." and the SAP on PE-B is "sap 1/1/1:100.200" how many tags will there be on the frame when it egresses from the SAP on PE-B?

- A. 0
- B. 1



C. 2

D. 3

Correct Answer: D

QUESTION 3

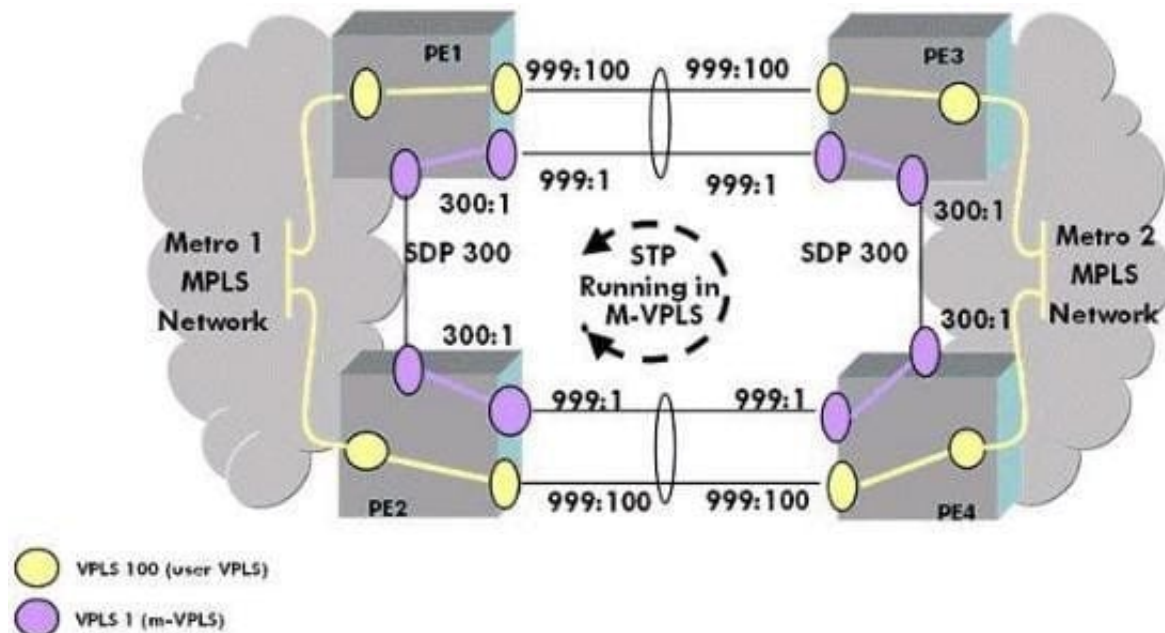
When ports configured with IEEE 802.3ah EFM are operationally down, what must the device do before declaring the ports are up?

- A. The device will try to force the other side up using the evaluating flag in the PDU.
- B. The device will wait for the transmit-interval of 5 before trying to rediscover the neighbor.
- C. The device will detect the port change and will wait for normal operation mode.
- D. The device will detect the port change and revert to discovery mode.

Correct Answer: D

QUESTION 4

Click on the exhibit below.



You have been requested to add load balancing across the redundant spoke-SDPs in the network shown. What further configuration is required? (Choose 2)

- A. An additional management VPLS.



- B. Another set of LSPs between PE1 and PE3 and between PE2 and PE4.
- C. Another set of SDPs between PE1 and PE3 and between PE2 and PE4.
- D. Load balancing has to be enabled within the management VPLS.

Correct Answer: AC

QUESTION 5

After the "disable-learning" command has been executed at the VPLS level, a new client device originates a frame. What is the result?

- A. If the MAC address of this new client device does not reach the upper limit of the configured total number of MAC addresses allowed in the VPLS forwarding database, then the new MAC address will be stored.
- B. The new source MAC addresses will not be entered in the VPLS service forwarding database.
- C. New local source MAC addresses will not be entered in the VPLS service forwarding database, but new remote MAC addresses would continue to be entered.
- D. New remote source MAC addresses will not be entered in the VPLS services forwarding database, but new local MAC addresses would continue to be entered.

Correct Answer: B

[4A0-105 VCE Dumps](#)

[4A0-105 Study Guide](#)

[4A0-105 Exam Questions](#)