



4A0-101^{Q&As}

Alcatel-Lucent Interior Routing Protocols and High Availability

Pass Alcatel-Lucent 4A0-101 Exam with 100% Guarantee

Free Download Real Questions & Answers **PDF** and **VCE** file from:

<https://www.passapply.com/4a0-101.html>

100% Passing Guarantee
100% Money Back Assurance

Following Questions and Answers are all new published by Alcatel-Lucent Official Exam Center

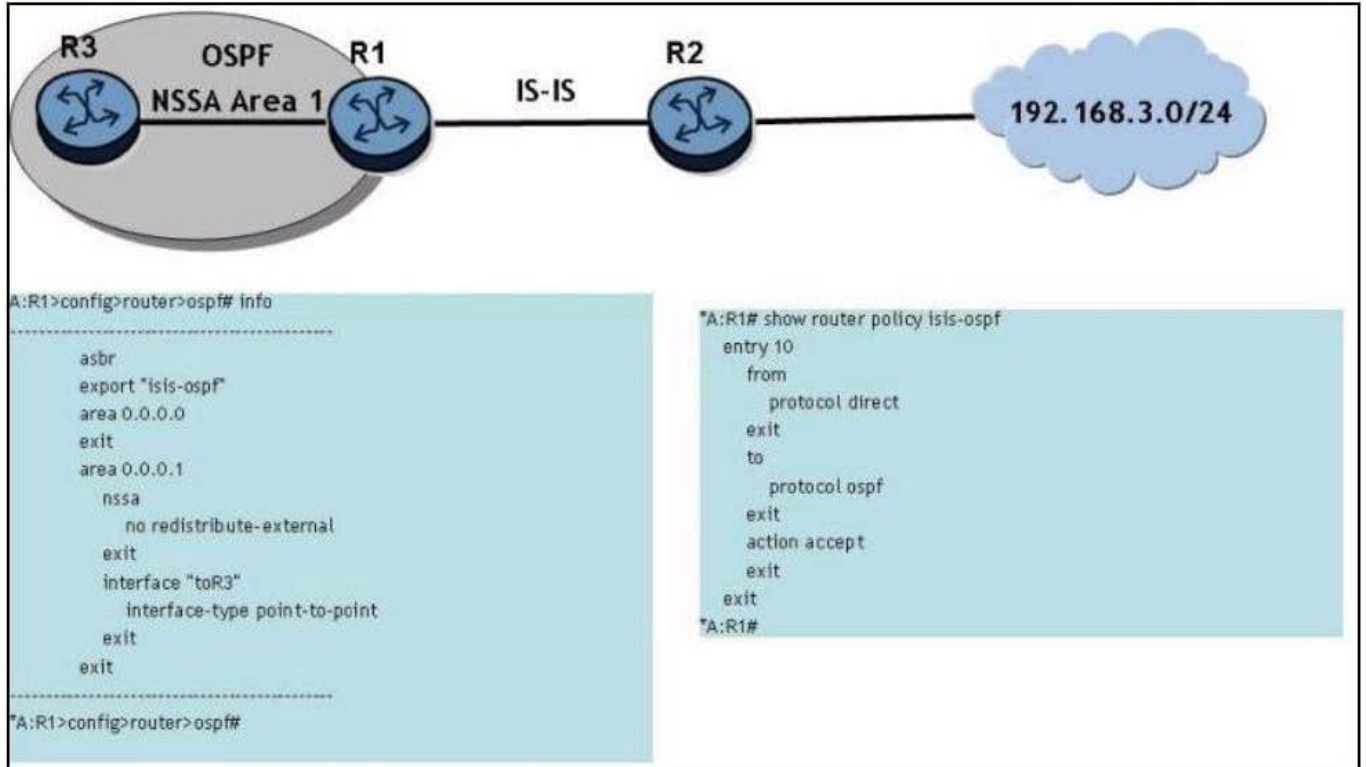
-  **Instant Download** After Purchase
-  **100% Money Back** Guarantee
-  **365 Days** Free Update
-  **800,000+** Satisfied Customers





QUESTION 1

Click the exhibit button A. The route policy should be applied as in import policy



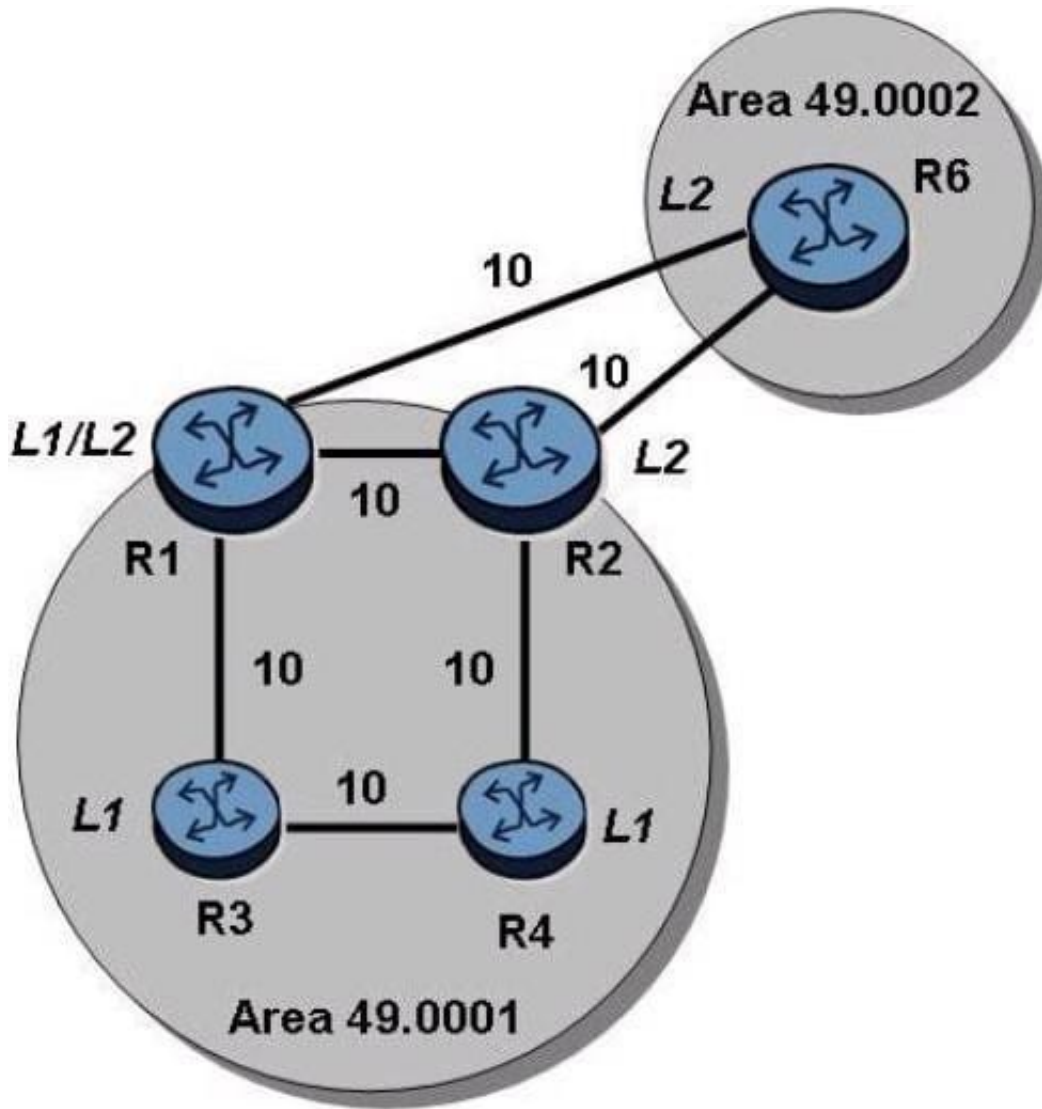
The 192 168 3.0/24 network is learned on router R1 via IS-IS. Given the OSPF configuration shown, and assuming that the OSPF adjacency between routers R1 and R3 is up, why is the 192 168.3.0/24 route not in router R3's route table? (Choose two)

- B. The no-redistribute-external command is used on router R1
- C. The route policy is incorrect. It should say "from protocol ISIS" rather than "from protocol direct".
- D. It is not possible to be an ASBR and an NSSA. The ASBR configuration should be removed.
- E. The interface between routers R1 and R3 needs to be in OSPF area 0 rather than OSPF area 1 because a backbone area must always exist.

Correct Answer: BC

QUESTION 2

Click on the exhibit.



Examine the physical topology of the IS-IS network, the metrics of the links and the levels of the routers. All routers have a system address included in IS-IS.

Which of the following describes the route that router R4 will use to reach the system address of router R6?

- A. Router R4 will have a route to router R6's system address with router R2 as the next-hop.
- B. Router R4 will have a default route with router R2 as the next-hop.
- C. Router R4 will have a default route with router R3 as the next-hop.
- D. Router R4 will not have a route to router R6's system address, nor will it have a default route.

Correct Answer: C

QUESTION 3

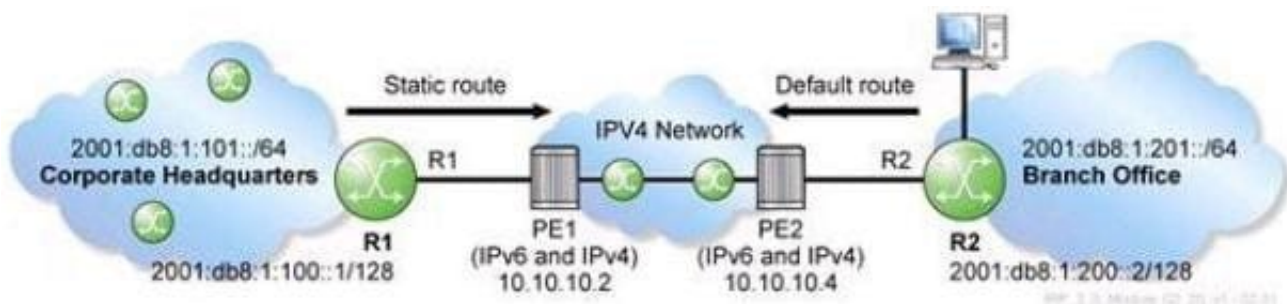
Which field of an IPv6 header indicates an upper layer protocol carried in the packet?



- A. Next Header
- B. Traffic Class
- C. Flow Label
- D. Payload Length
- E. Options

Correct Answer: A

QUESTION 4



A service provider is deploying a 6over4 tunnel to connect a customer's branch office IPv6 network to the corporate headquarters as shown in the exhibit. Which command is used to create a default route on PE2 for the branch office network?

- A. configure router static-route 0.0.0.0/0 indirect 10.10.10.2
- B. configure router static-route 0.0.0.0/0 indirect 2001:DB8:1:100::1
- C. configure router static-route ::/0 indirect 10.10.10.2
- D. configure router static-route ::/0 indirect 2001:DB8:1:100::1
- E. configure outer static-route ::/0 indirect 2001:DB8:1:101::1

Correct Answer: C

QUESTION 5

What is the default preference value for a static route in the Alcatel-Lucent 7750 SR router?

- A. 0
- B. 5
- C. 10
- D. 15



Correct Answer: B

[Latest 4A0-101 Dumps](#)

[4A0-101 VCE Dumps](#)

[4A0-101 Practice Test](#)