



300-175^{Q&As}

Cisco Data Center Unified Computing

Pass Cisco 300-175 Exam with 100% Guarantee

Free Download Real Questions & Answers **PDF** and **VCE** file from:

<https://www.passapply.com/300-175.html>

100% Passing Guarantee
100% Money Back Assurance

Following Questions and Answers are all new published by Cisco
Official Exam Center

-  **Instant Download** After Purchase
-  **100% Money Back** Guarantee
-  **365 Days** Free Update
-  **800,000+** Satisfied Customers





QUESTION 1

Scenario

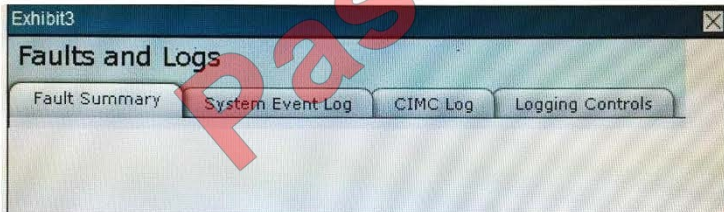
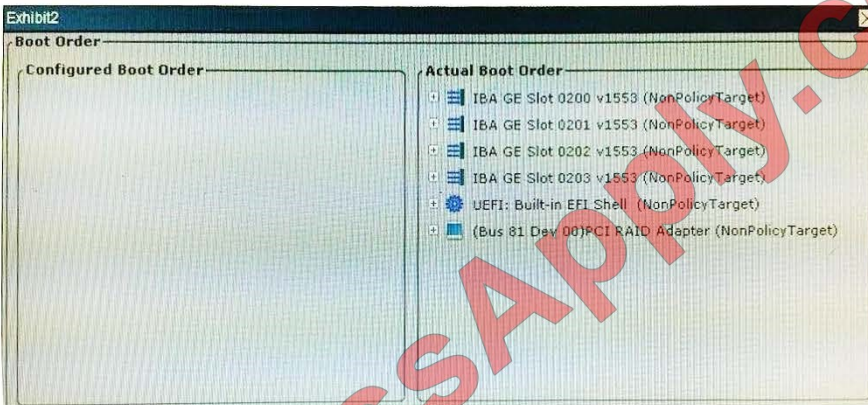
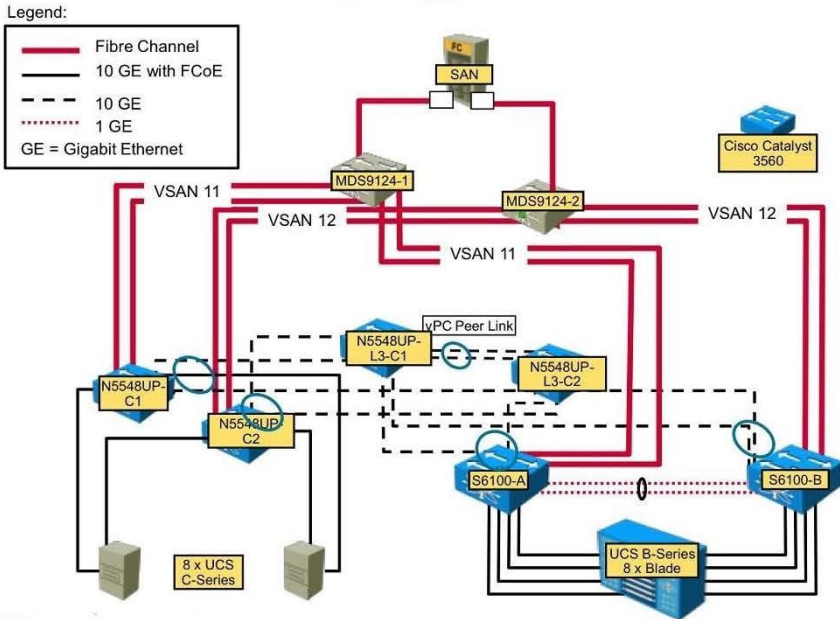
In this scenario, you will refer to screenshots about Cisco UCS B-Series servers and UCS Manager.

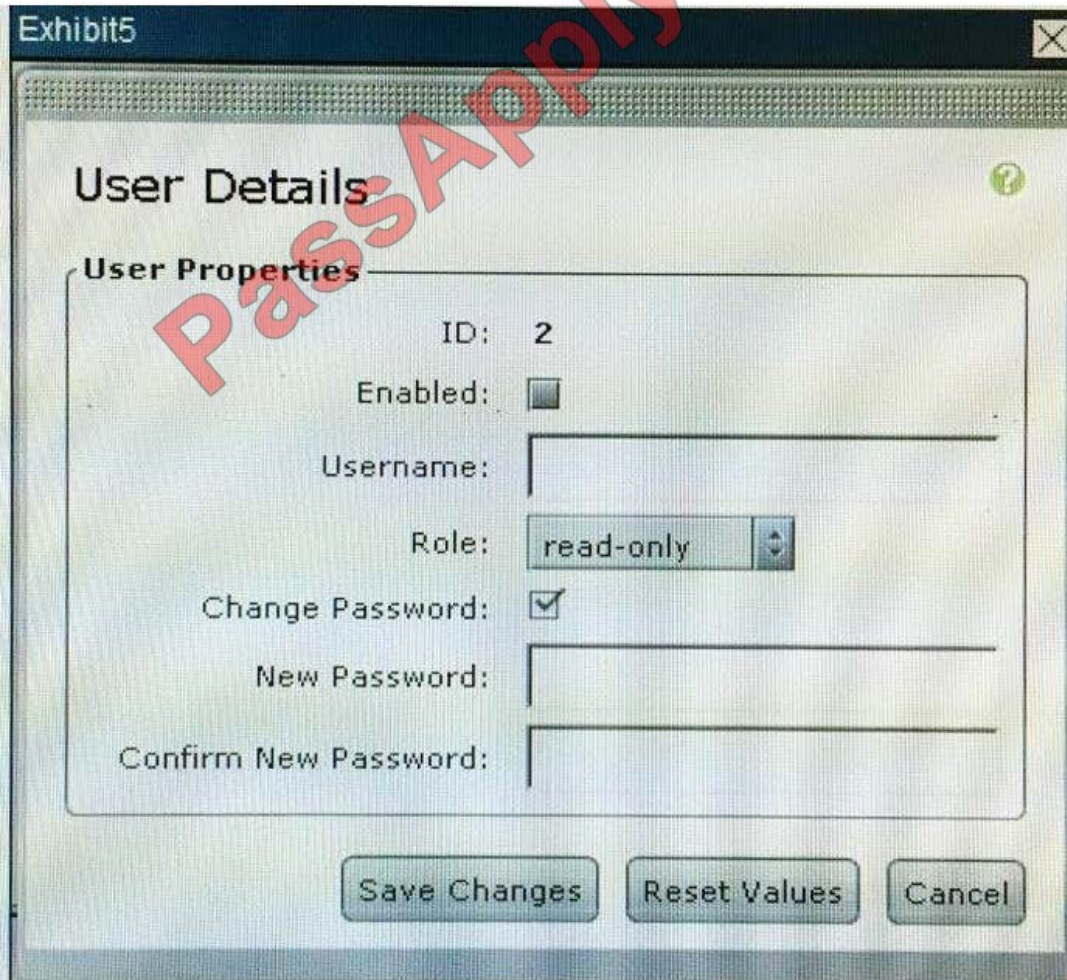
Instructions

To access the multiple-choice questions, click on the numbered boxes on the left of the top panel. There are four multiple-choice questions with this task. Be sure to answer all four questions before selecting the Next button.



TSR Watermark Image - Unregistered version - This line is removed when registered
DCUCI 5.0 Lab Topology—Backbone







Refer to the screenshot in Exhibit 4. Once you enable an SNMP Trap destination, which SNMP Version is required to configure the Inform Trap Type?

- A. 1
- B. 2
- C. 2c
- D. 3

Correct Answer: D

http://www.cisco.com/c/en/us/td/docs/switches/datacenter/sw/5_x/nx-os/system_management/configuration/guide/sm_nx_os_cg/sm_9snmp.html

QUESTION 2

Which drive combination prevents you from provisioning RAID on Cisco UCS C-Series servers?

- A. SAS HDD and SATA HDD
- B. SAS SSD and SATA SSD
- C. SATA HDD and SATA SSD
- D. SAS HDD only
- E. SATA HDD only

Correct Answer: C

https://www.cisco.com/c/en/us/td/docs/unified_computing/ucs/c/sw/raid/configuration/guide/RAID_GUIDE.pdf

TSP Watermark Image - Unregistered version - This line is removed when registered

Guidelines for all Local Disk Configuration Policies

Before you create a local disk configuration policy, consider the following guidelines:

- No Mixed HDDs and SSDs

Mixing HDD and SSDs in a single server or RAID configuration is not supported.

QUESTION 3

Scenario

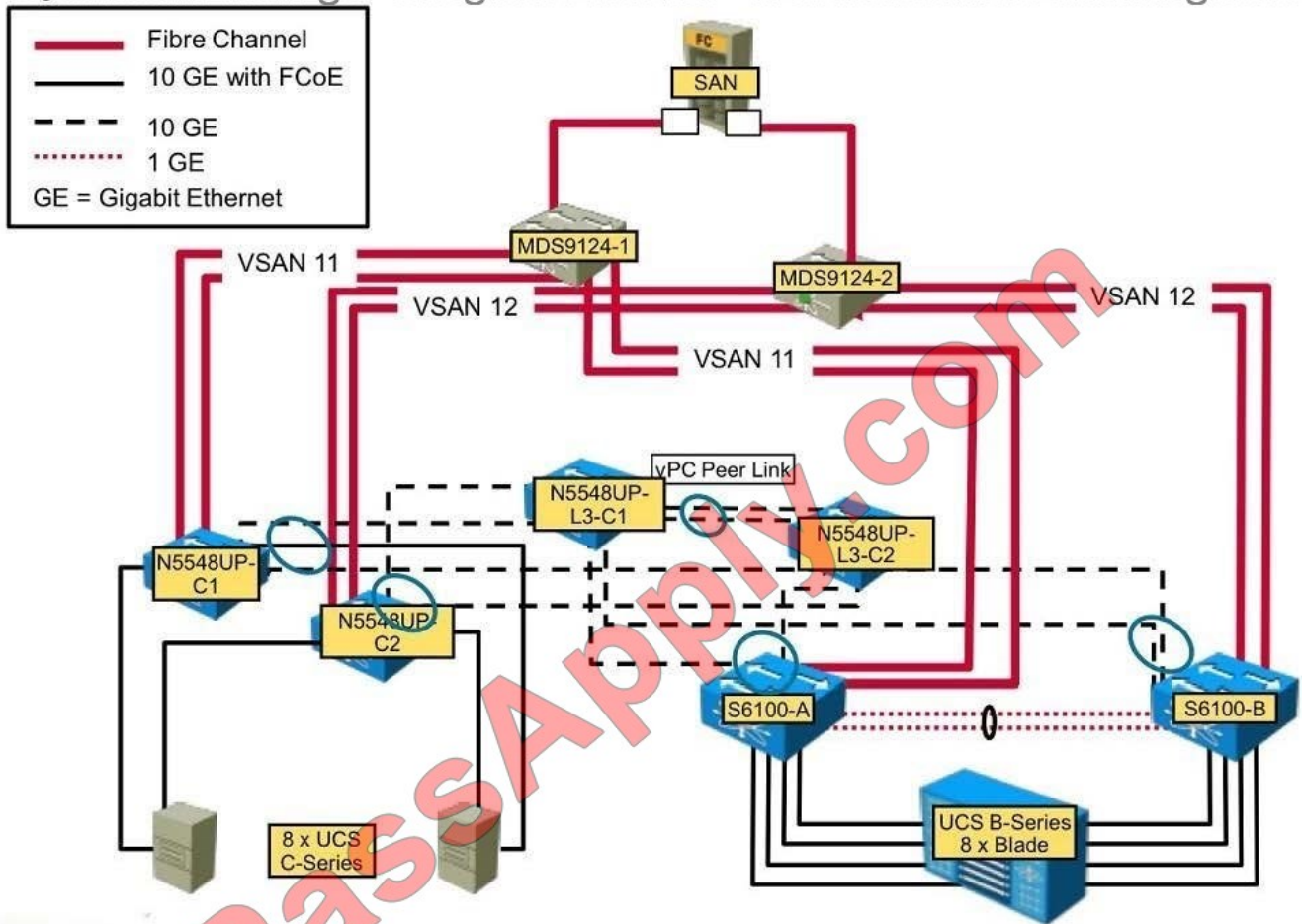
In this scenario, you will refer to screenshots about Cisco UCS B-Series servers and UCS Manager.

Instructions

To access the multiple-choice questions, click on the numbered boxes on the left of the top panel. There are four multiple-choice questions with this task. Be sure to answer all four questions before selecting the Next button.



TSP Watermark Image - Unregistered version - This line is removed when registered



```
Exhibit2
interface Vethernet749
description server 1/1, VNIC vNIC0
switchport mode trunk
untagged cos 4
no pinning server sticky
pinning server pinning-failure link-down
```



TSR Watermark Image - Unregistered version - This line is removed when registered





Which log would you view to determine which UCS Manager user modified a Service Profile?

- A. Events
- B. Audit
- C. Syslog
- D. SEL

Correct Answer: D

http://www.cisco.com/c/en/us/td/docs/unified_computing/ucs/sw/gui/config/guide/2-0/b_UCSM_GUI_Configuration_Guide_2_0_b_UCSM_GUI_Configuration_Guide_2_0_chapter_0101101.html

QUESTION 4

Which option can you secure by using a keyring certificate in Cisco UCS Manager?

- A. Console management Access
- B. Server link connections
- C. HTTPS management Access
- D. Uplink connections

Correct Answer: C

QUESTION 5

Which option lists the features that are needed to install VMware ESXi on a local drive from an image file?

- A. Virtual Media and VMFS
- B. Virtual Media and Virtual KVM
- C. Virtual Boot and VMFS
- D. Virtual KVM and Virtual Boot

Correct Answer: B

<http://www.techrepublic.com/blog/smb-technologist/installing-vsphere-on-cisco-ucs-c-series-servers/>

[Latest 300-175 Dumps](#)

[300-175 PDF Dumps](#)

[300-175 Brindumps](#)



To Read the [Whole Q&As](#), please purchase the [Complete Version](#) from [Our website](#).

Try our product !

100% Guaranteed Success
100% Money Back Guarantee
365 Days Free Update
Instant Download After Purchase
24x7 Customer Support
Average 99.9% Success Rate
More than 800,000 Satisfied Customers Worldwide
Multi-Platform capabilities - [Windows](#), [Mac](#), [Android](#), [iPhone](#), [iPod](#), [iPad](#), [Kindle](#)

We provide exam PDF and VCE of Cisco, Microsoft, IBM, CompTIA, Oracle and other IT Certifications. You can view Vendor list of All Certification Exams offered:

<https://www.passapply.com/allproducts>

Need Help

Please provide as much detail as possible so we can best assist you.
To update a previously submitted ticket:



 <p>One Year Free Update Free update is available within One Year after your purchase. After One Year, you will get 50% discounts for updating. And we are proud to boast a 24/7 efficient Customer Support system via Email.</p>	 <p>Money Back Guarantee To ensure that you are spending on quality products, we provide 100% money back guarantee for 30 days from the date of purchase.</p>	 <p>Security & Privacy We respect customer privacy. We use McAfee's security service to provide you with utmost security for your personal information & peace of mind.</p>
---------------------------------------------------------------------------------------------------------------------------------------------------------------------------------------------------------------------------------------------------------------------------------------------------------------------------------	-------------------------------------------------------------------------------------------------------------------------------------------------------------------------------------------------------------------------------------------------------------	------------------------------------------------------------------------------------------------------------------------------------------------------------------------------------------------------------------------------------------------------------------------------------

Any charges made through this site will appear as Global Simulators Limited.
All trademarks are the property of their respective owners.
Copyright © passapply, All Rights Reserved.