



2V0-21.19D^{Q&As}

Professional vSphere 6.7 Delta Exam 2019

Pass VMware 2V0-21.19D Exam with 100% Guarantee

Free Download Real Questions & Answers **PDF** and **VCE** file from:

<https://www.passapply.com/2v0-21-19d.html>

100% Passing Guarantee
100% Money Back Assurance

Following Questions and Answers are all new published by VMware
Official Exam Center

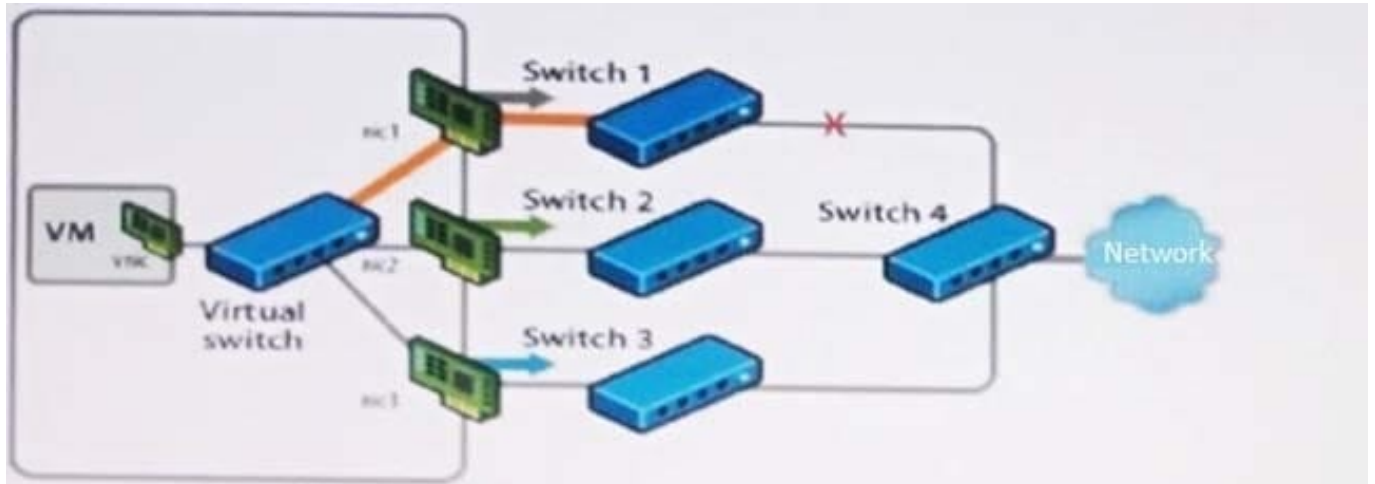
-  **Instant Download** After Purchase
-  **100% Money Back** Guarantee
-  **365 Days** Free Update
-  **800,000+** Satisfied Customers





QUESTION 1

Refer to the exhibit.



Each ESXi host has three NICs assigned to a virtual switch.

Which Network Failure Detection Policy will prevent network failover?

- A. Notify Switches Policy
- B. Link status only
- C. Failback Policy
- D. Beacon probing

Correct Answer: B

Reference: <https://docs.vmware.com/en/VMware-vSphere/6.5/com.vmware.vsphere.networking.doc/GUID-4D97C7491FFD-403D-B2AE-0CD0F1C70E2B.html>

QUESTION 2

What is a requirement when installing ESXi 6.7?

- A. NX/XD bit enabled for the CPU in the BIOS
- B. minimum of 8GB of physical RAM
- C. datastore for scratch partition
- D. minimum of four CPU cores

Correct Answer: A

Reference: <https://docs.vmware.com/en/VMware-vSphere/6.7/com.vmware.vsphere.install.doc/GUID-4D97C7491FFD-403D-B2AE-0CD0F1C70E2B.html>



[vSphere/6.7/com.vmware.esxi.install.doc/GUIDDEB8086A-306B-4239-BF76-E354679202FC.html](https://www.vmware.com/esxi/install/doc/GUIDDEB8086A-306B-4239-BF76-E354679202FC.html)

QUESTION 3

A vSphere administrator is working in a high security environment. The administrator wants to ensure unencrypted VMs can be migrated securely.

What should the vSphere administrator use to meet this requirement?

- A. vTPM
- B. UEFI Secure Boot
- C. KMS Server
- D. encrypted vSphere vMotion

Correct Answer: D

Reference: <https://docs.vmware.com/en/VMware-vSphere/6.7/com.vmware.vsphere.security.doc/GUID6865D84A-C286-49C4-A4D4-D62145150242.html>

QUESTION 4

A vSphere administrator configures log forwarding for remote syslog server in a vCenter Server Appliance (VCSA) through the vCenter Server Appliance Management Interface (VAMI).

What is the maximum number of remote syslog servers that can be configured?

- A. 1
- B. 2
- C. 3
- D. 4

Correct Answer: C

Reference: <https://docs.vmware.com/en/VMware-vSphere/6.7/com.vmware.vsphere.vcsa.doc/GUID9633A961-A5C3-4658-B099-B81E0512DC21.html>

QUESTION 5

What of RAM required by ESXi 6.7?

- A. 512MB
- B. 2GB
- C. 4GB



D. 8GB

Correct Answer: C

[Latest 2V0-21.19D Dumps](#)

[2V0-21.19D Study Guide](#)

[2V0-21.19D Braindumps](#)