



2V0-21.19^{Q&As}

Professional vSphere 6.7 Exam 2019

Pass VMware 2V0-21.19 Exam with 100% Guarantee

Free Download Real Questions & Answers **PDF** and **VCE** file from:

<https://www.passapply.com/2v0-21-19.html>

100% Passing Guarantee
100% Money Back Assurance

Following Questions and Answers are all new published by VMware
Official Exam Center

-  **Instant Download** After Purchase
-  **100% Money Back** Guarantee
-  **365 Days** Free Update
-  **800,000+** Satisfied Customers





QUESTION 1

What of RAM required by ESXi 6.7?

- A. 512MB
- B. 2GB
- C. 4GB
- D. 8GB

Correct Answer: C

QUESTION 2

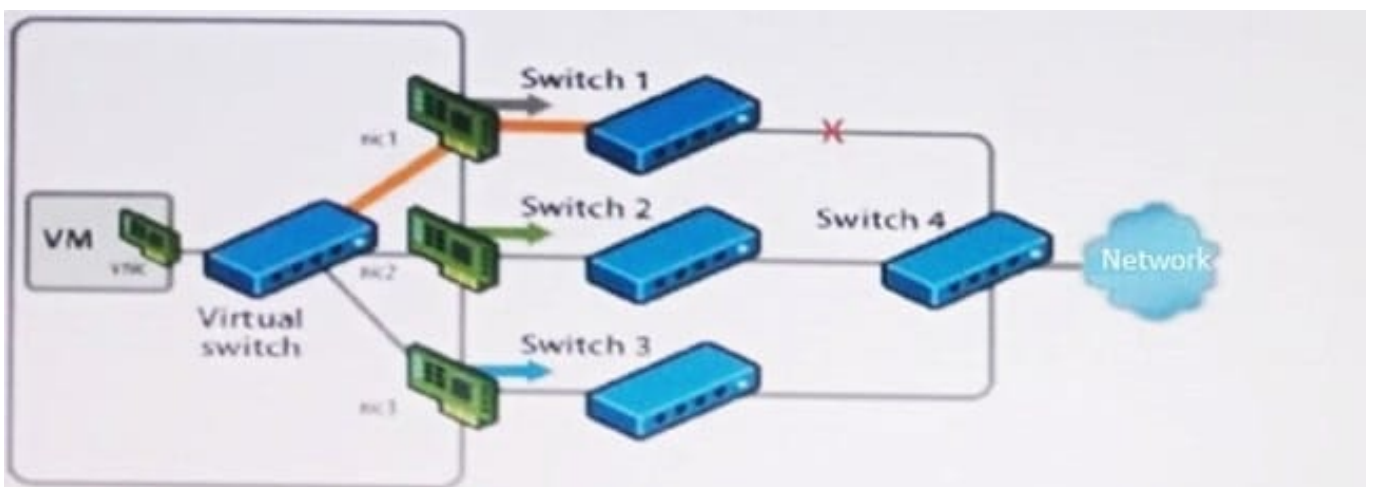
Which VM storage policy rule category ensures all VMs for a department are on the same datastore?

- A. Capability
- B. Data Service
- C. Host
- D. Tag

Correct Answer: D

QUESTION 3

Refer to the exhibit.



Each ESXi host has three NICs assigned to a virtual switch.



Which Network Failure Detection Policy will prevent network failover?

- A. Notify Switches Policy
- B. Link status only
- C. Failback Policy
- D. Beacon probing

Correct Answer: B

Reference: <https://docs.vmware.com/en/VMware-vSphere/6.5/com.vmware.vsphere.networking.doc/GUID4D97C749-1FFD-403D-B2AE-0CD0F1C70E2B.html>

QUESTION 4

Which action should be taken to secure ISCSI devices in a vSphere environment?

- A. Require Secure Remote Protocol.
- B. Require ESXi hosts to use ISCSI port binding.
- C. Require vCenter Enhanced Linked Mode.
- D. Require ESXi hosts to authenticate to the target.

Correct Answer: D

Reference: <https://docs.vmware.com/en/VMware-vSphere/6.7/com.vmware.vsphere.security.doc/GUIDDFC745FB-CDD6-4828-8948-4D0E0561EEF8.html>

QUESTION 5

Where is vSphere Client Service health viewed?

- A. VAMI
- B. ESXi DCUI
- C. Performance Charts
- D. Host Client

Correct Answer: D

[2V0-21.19 PDF Dumps](#)

[2V0-21.19 VCE Dumps](#)

[2V0-21.19 Practice Test](#)