



1Z0-432^{Q&As}

Oracle Real Application Clusters 12c Essentials

Pass Oracle 1Z0-432 Exam with 100% Guarantee

Free Download Real Questions & Answers **PDF** and **VCE** file from:

<https://www.passapply.com/1z0-432.html>

100% Passing Guarantee
100% Money Back Assurance

Following Questions and Answers are all new published by Oracle
Official Exam Center

-  **Instant Download** After Purchase
-  **100% Money Back** Guarantee
-  **365 Days** Free Update
-  **800,000+** Satisfied Customers





QUESTION 1

Which statement about multipathing is incorrect?

- A. Multipathing solutions provide failover by using redundant physical path components
- B. Multipathing is a software technology implemented at the operating system device level
- C. Multipathing improves system performance by distributing the I/O load across all available paths.
- D. Multipathing is automatically configured when Oracle ASM discovers multiple paths to the same disk space.

Correct Answer: D

QUESTION 2

Your organization needs a new Oracle 12cR1 RAC environment. The decision is made to done a sting RAC system to new servers using the clone.pl method. Which mandatory step must be performed before launching the clone procedure?

- A. Install an Oracle 12cR1 Database home to use as a seeded environment.
- B. Ensure that the server meets all of the prerequisite requirements because the perl clone.pl cloning method does not check that.
- C. Copy the clone.pl utility to each target node
- D. Restore a copy or the Oracle Cluster Registry to the target servers.
- E. Keep all target nodes network isolated until the cloning is finished on the first node and then join each to the cluster network.

Correct Answer: E

QUESTION 3

How many ASM Disk Group(s) do you need, if you want to have the redundancy level set to high (triple mirroring) for a FILE?

- A. 1
- B. 2
- C. 3
- D. It depends on the number of different disks in a Disk Group, not the number of Disk Groups.

Correct Answer: D



QUESTION 4

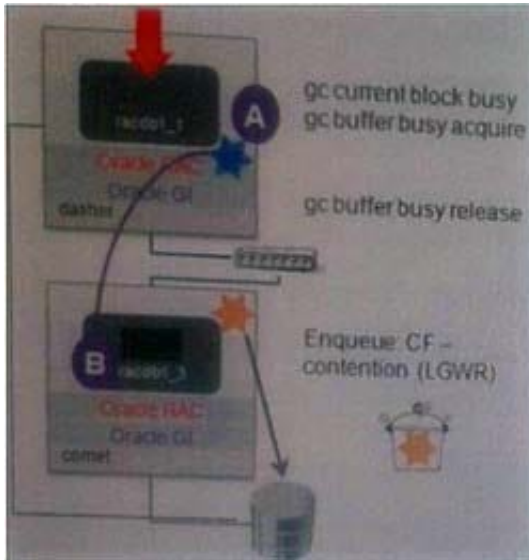
The ACFS volume that contains video data needs a snapshot before a bulk load. Which creates a snapshot?

- A. \$ acfsutil snap create snapshot_before_load/adsmount/ads_vol1
- B. \$ acfsutil create snap snapshot_before_load/adsmount/ads_voll
- C. \$ acfsutil-c -s snapshot_before_load /adsmount/ads_vol1
- D. \$ acfsutil-s -1 snapshot_before_load -v /adsmount/ads_vol1

Correct Answer: A

QUESTION 5

Identify the root cause of Enqueue: CF - Contention in this scenario.



- A. Root cause is a stalled LGWR due to LGWR waits Enqueue: CF contention is caused by the db file sequential reads
- B. Root cause is blocked LGWR due to LGWR waits LGWR waits ENQUEUE: CF contention is a symptom of the db file scattered reads and excessive ITL waits
- C. Root cause is a blocked LGWR due to LGWR waits for enqueue: CF - contention, which may be held by another background process. Background process may hold a CF enqueue while updating the control file
- D. Root cause is blocked LGWR due to SCAN_LISTENERS(s) dropping client connections during DoS event

Correct Answer: C