



1Y0-402^{Q&As}

Citrix XenApp and XenDesktop 7.15 Assessment, Design and Advanced Configurations





Pass Citrix 1Y0-402 Exam with 100% Guarantee

Free Download Real Questions & Answers **PDF** and **VCE** file from:

<https://www.passapply.com/1y0-402.html>

100% Passing Guarantee
100% Money Back Assurance

Following Questions and Answers are all new published by Citrix Official Exam Center

-  **Instant Download** After Purchase
-  **100% Money Back** Guarantee
-  **365 Days** Free Update
-  **800,000+** Satisfied Customers





QUESTION 1

Scenario: A Citrix Architect needs to implement XenApp and XenDesktop. Based on the assessment and early stages of the design, the architect has identified the requirements as shown in the Exhibit.

Click the Exhibit button to view the requirements.

Requirement	Detail
Number of users	50
Environment	Proof of Concept (POC)
Redundancy	NOT required
Administrative Team	One IT administrator
Level of Performance	High
Image Management	Provisioning Services, non-persistent
Additional considerations	Should NOT impact production infrastructure

Which tier of storage should the architect consider implementing, based on the requirements in the Exhibit?

- A. DAS
- B. Local
- C. SAN
- D. NAS

Correct Answer: A

QUESTION 2

Scenario: A Citrix Architect needs to design a new XenApp and XenDesktop environment. Currently, the environment is configured with two locations with identical XenDesktop Sites. Each Site has two Delivery Controllers, two StoreFront servers, and one NetScaler high availability pair. The same applications have been published from both Sites for all the users. Two Zones (Zone A and Zone B) are configured in each Site with one Controller in each zone. The Microsoft Exchange server is only accessible from Virtual Delivery Agent (VDA) machines in Zone A in each Site.

The following access requirements have been identified:

Users should have a single URL when accessing resources from different Sites.

Users should always connect to the datacenter closest to their location.



Applications added to Favorites within Citrix Receiver should be retained when accessed from different Sites.

Launched applications and desktops should always connect through a local NetScaler.

No duplication of applications published from different Sites.

Microsoft Outlook should always launch in Zone A.

How should the architect recommend configuring subscription sync to retain the applications added to Favorites?

- A. Between stores across the Sites
- B. Between server groups across the Sites
- C. Within server groups of each Site
- D. Within stores of each Site

Correct Answer: B

QUESTION 3

Scenario: A Citrix Architect needs to design a new XenApp and XenDesktop environment.

The table in the Exhibit lists details about the requirements of the current user groups and their Virtual Delivery Agent (VDA) machine workloads.

Click the Exhibit button to view the table.

User	Scaling Priority	VDA Type	Workload Weight	CPU Overcommit	Virtual CPUs per VIM	VMs per Host	Users per VM
User Group 1	Scalability	Desktop	Heavy	6:1	4	30	1
User Group 2	User experience	Server	Medium	1:5:1	16	18	20
User Group 3	Scalability	Desktop	Medium	6:1	2	40	1
User Group 4	Scalability	Server	Medium	1:5:1	6	27	20

At a minimum, the architect should scale the hardware used to host the VMs for User Group 1 _____ GB of RAM.

- A. 128
- B. 64
- C. 384



D. 512

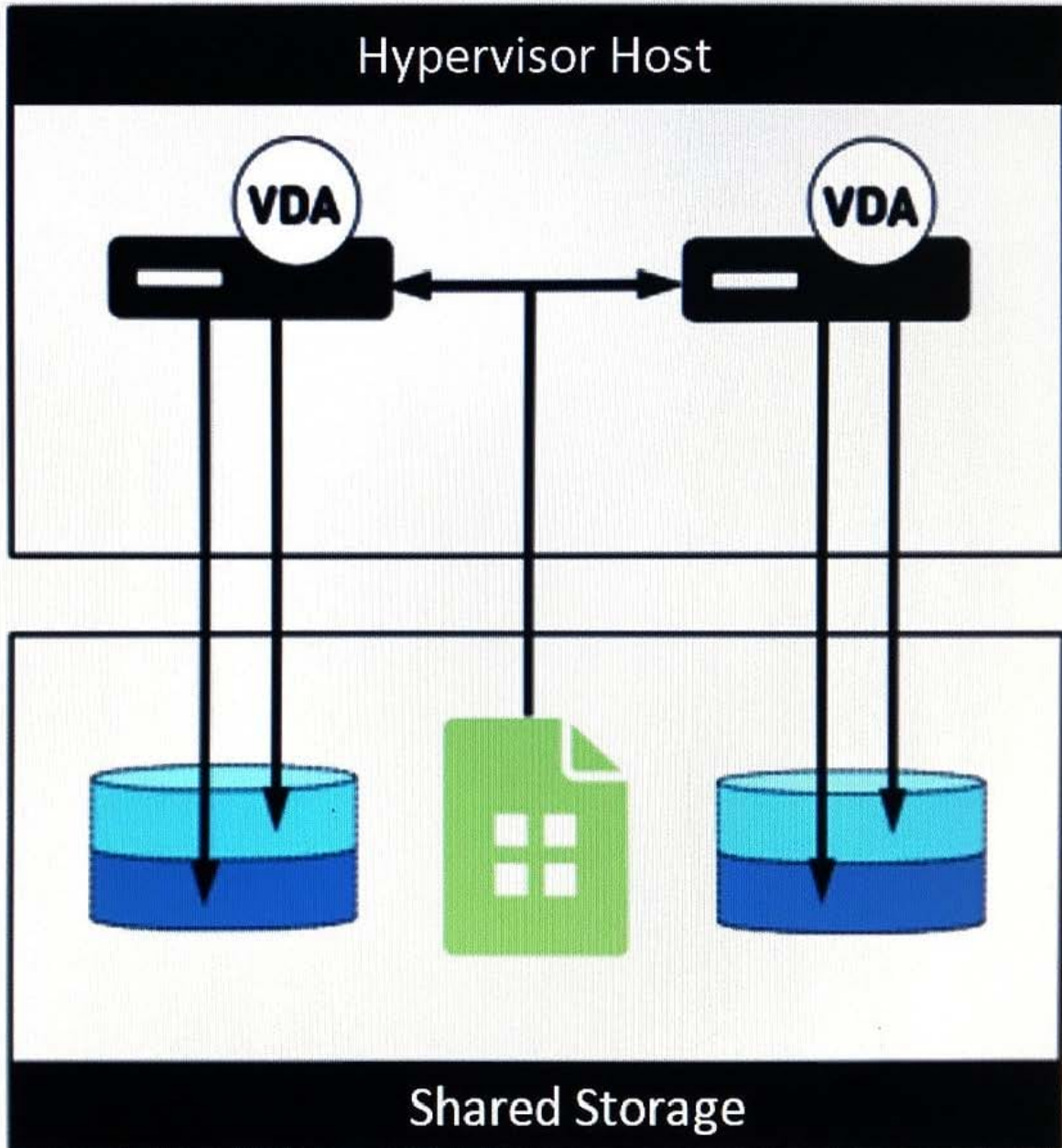
E. 256

Correct Answer: E

QUESTION 4

Scenario: A Citrix Architect needs to redesign an existing XenApp and XenDesktop environment to use Machine Creation Services (MCS). During the design discussions, the locations for the MCS-provisioned thin clone machine disks are proposed as shown in the Exhibit.

Click the Exhibit button to view the details.



Master Image

Identity Disk

Differencing Disk



Which potential concern should the architect address with the customer before proceeding with this configuration? (Choose two.)

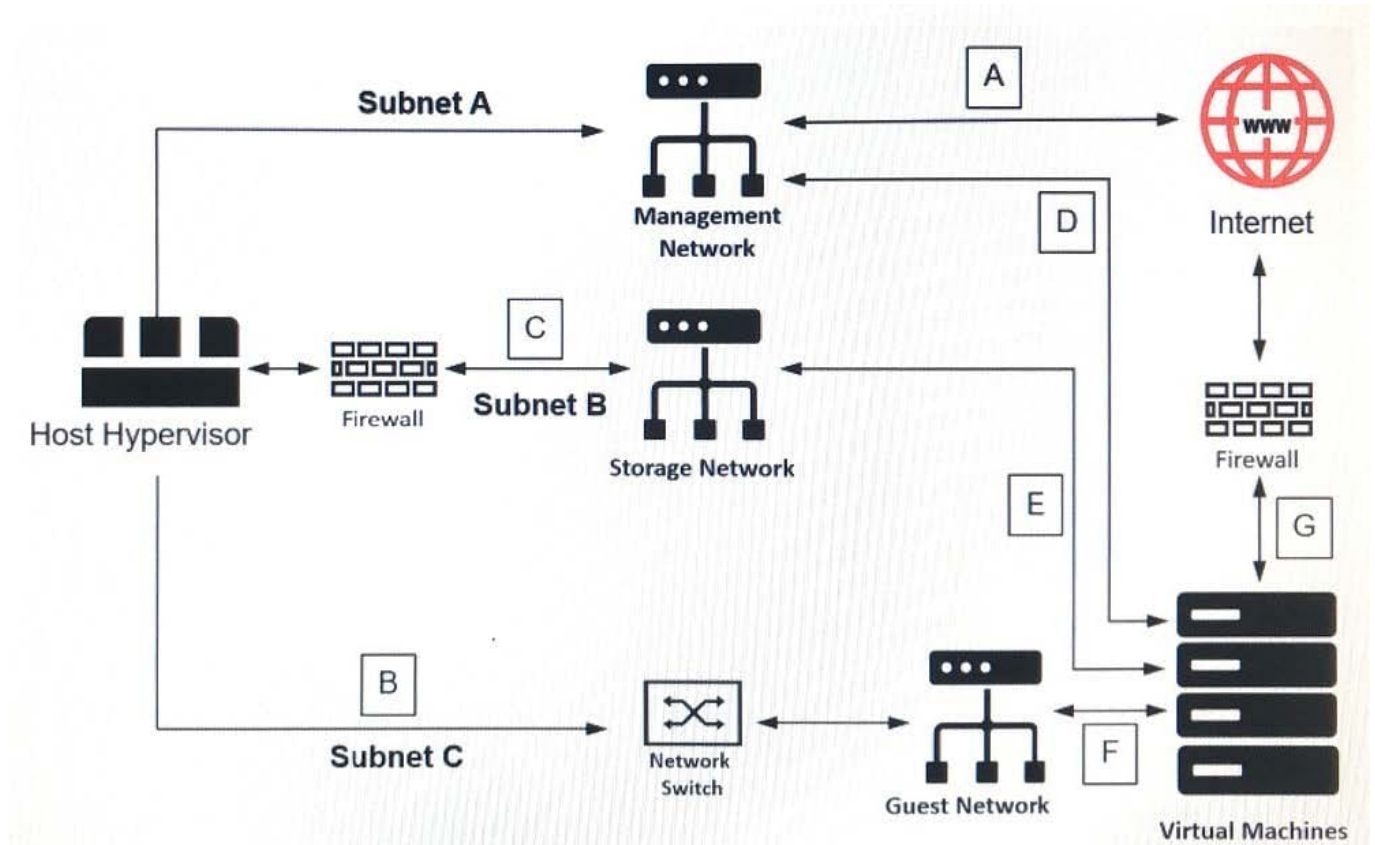
- A. It is limited to NFS shared storage.
- B. It will require substantial read IOPS from the shared storage location during machine creation and updates.
- C. It will require substantial write IOPS to the shared storage location as temporary data is written.
- D. It will require more storage to be allocated on the VM hosts compared with other options.
- E. It is limited to certain hypervisors.

Correct Answer: CE

QUESTION 5

Scenario: A Citrix Architect must complete a XenApp and XenDesktop security assessment. After examining the network topology for the hypervisor hosts supporting the Virtual Delivery Agent (VDA) machines, the architect finds that some of the network connections are NOT following leading security practices.

Click the Exhibit button to view a high-level diagram which shows the connectivity between various components.



Which three of the labeled areas of the diagram represent connections which are NOT following Citrix leading security practices? (Choose three.)

- A. G



B. B

C. A

D. E

E. F

F. D

G. C

Correct Answer: DEF

[Latest 1Y0-402 Dumps](#)

[1Y0-402 VCE Dumps](#)

[1Y0-402 Practice Test](#)