



1Y0-402^{Q&As}

Citrix XenApp and XenDesktop 7.15 Assessment, Design and Advanced Configurations

Pass Citrix 1Y0-402 Exam with 100% Guarantee

Free Download Real Questions & Answers **PDF** and **VCE** file from:

<https://www.passapply.com/1y0-402.html>

100% Passing Guarantee
100% Money Back Assurance

Following Questions and Answers are all new published by Citrix Official Exam Center

-  **Instant Download** After Purchase
-  **100% Money Back** Guarantee
-  **365 Days** Free Update
-  **800,000+** Satisfied Customers





QUESTION 1

Scenario: A Citrix Architect needs to design a new XenApp and XenDesktop environment. Currently, the environment is configured with two locations with identical XenDesktop Sites. Each Site has two Delivery Controllers, two StoreFront servers, and one NetScaler high availability pair. The same applications have been published from both Sites for all the users. Two Zones (Zone A and Zone B) are configured in each Site with one Controller in each zone. The Microsoft Exchange server is only accessible from Virtual Delivery Agent (VDA) machines in Zone A in each Site.

The following access requirements have been identified:

Users should have a single URL when accessing resources from different Sites.

Users should always connect to the datacenter closest to their location.

Applications added to Favorites within Citrix Receiver should be retained when accessed from different Sites.

Launched applications and desktops should always connect through a local NetScaler.

No duplication of applications published from different Sites.

Microsoft Outlook should always launch in Zone A.

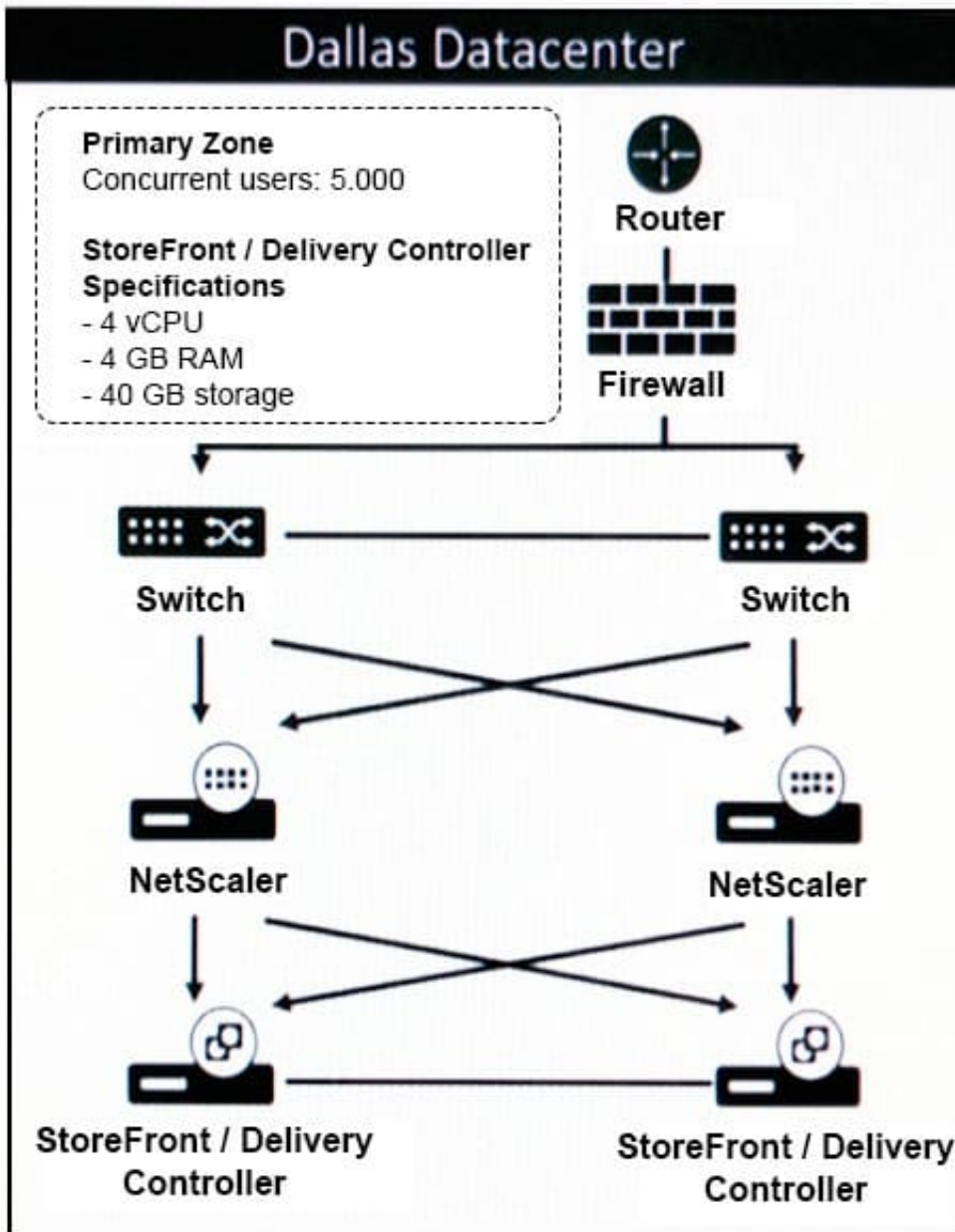
What should the architect recommend to ensure that Microsoft Outlook always launches from Zone A for every user?

- A. Configure zone preference based on user location.
- B. Configure Zone A as the application home zone for Microsoft Outlook.
- C. Move a Controller from Zone B to Zone A.
- D. Designate Zone A as the home zone for all users.

Correct Answer: B

QUESTION 2

Scenario: A Citrix Architect needs to design a single-Site XenApp and XenDesktop environment. Through earlier design discussions, the architect has determined the environment details listed in the Exhibit.



What should the architect change in the current environment to align with Citrix leading practices?

- A. A Delivery Controller should be removed from the Site.
- B. The Delivery Controller and StoreFront roles should NOT be co-located on the same server.
- C. The existing Delivery Controllers should be allocated with an additional 2 GB of RAM each.
- D. A Delivery Controller should be added to the Site.
- E. The existing Delivery Controllers should be allocated with an additional CPU each.

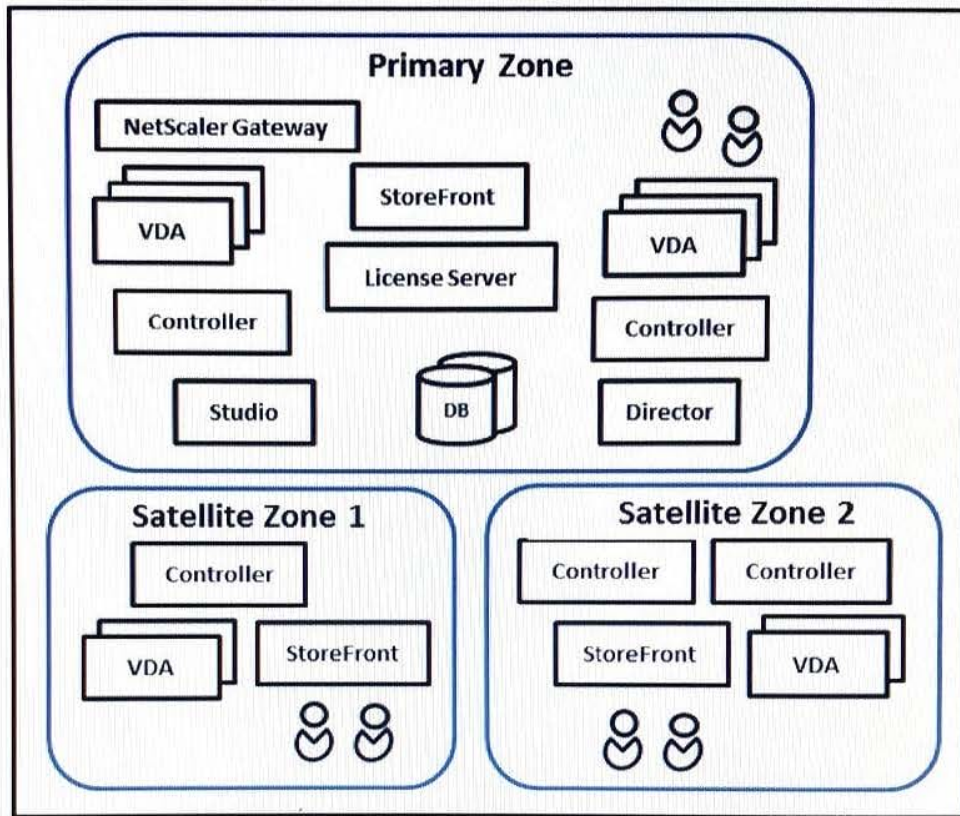
Correct Answer: D

QUESTION 3



Scenario: A Citrix Architect needs to assess a XenApp and XenDesktop environment. The XenApp and XenDesktop diagram in the Exhibit gives details about the current Site and Zone design.

Click the Exhibit button to view the diagram.



Zone	Location	# VDA	Network	Latency
Primary Zone	New York	6,000	Dublin	100ms
			Hong Kong	300ms
Satellite Zone 1	Dublin	1,000	New York	100ms
			Hong Kong	100ms
Satellite Zone 2	Hong Kong	4,000	Dublin	100ms
			New York	300ms



What should the architect recommend based on the current Site and Zone design?

- A. Add an additional Delivery Controller to the Primary Zone.
- B. Replace Satellite Zone 2 with a separate XenDesktop Site.
- C. Add additional StoreFront servers to Satellite Zone 2.
- D. Replicate the XenDesktop Site database to Satellite Zone 2.

Correct Answer: A

QUESTION 4

A Citrix Architect needs to conduct a capabilities assessment for an organization that wants to design and build a new XenApp and XenDesktop environment.

Which three capabilities will directly influence whether the existing Citrix administrative team will have the capacity to support the new environment? (Choose three.)

- A. Certificate Authority configuration
- B. Current backup solutions
- C. Users and applications
- D. Image management processes
- E. Training and certifications of support staff and users
- F. DNS infrastructure
- G. Image management processes

Correct Answer: CDF

QUESTION 5

Scenario: A Citrix Architect is designing a XenDesktop environment. The Graphic Designers group uses a graphic-intensive application. Graphic Designers will be provided with a Windows 10 Hosted Personal Desktop, with NVIDIA graphics hardware acceleration. HDX 3D Pro mode was selected during the installation of Virtual Delivery Agent (VDA).

What is the maximum number of monitors supported for the Graphic group?

- A. 6
- B. 2
- C. 8
- D. 4

Correct Answer: D



VCE & PDF

PassApply.com

<https://www.passapply.com/1y0-402.html>

2024 Latest passapply 1Y0-402 PDF and VCE dumps Download

[1Y0-402 Practice Test](#)

[1Y0-402 Exam Questions](#)

[1Y0-402 Braindumps](#)