



# 1Z0-822<sup>Q&As</sup>

Oracle Solaris 11 Advanced System Administration

**Pass Oracle 1Z0-822 Exam with 100% Guarantee**

Free Download Real Questions & Answers **PDF** and **VCE** file from:

<https://www.passapply.com/1z0-822.html>

100% Passing Guarantee  
100% Money Back Assurance

Following Questions and Answers are all new published by Oracle  
Official Exam Center

-  **Instant Download** After Purchase
-  **100% Money Back** Guarantee
-  **365 Days** Free Update
-  **800,000+** Satisfied Customers





### QUESTION 1

Which four configuration elements are managed by the dumpadm utility?

- A. the location of the dump device
- B. the location of the savecore directory
- C. the index number for the next core dump
- D. the reserved file system space that a core dump may not use
- E. the compression of the crash dump file
- F. the size of the dump device

Correct Answer: ABCD

---

### QUESTION 2

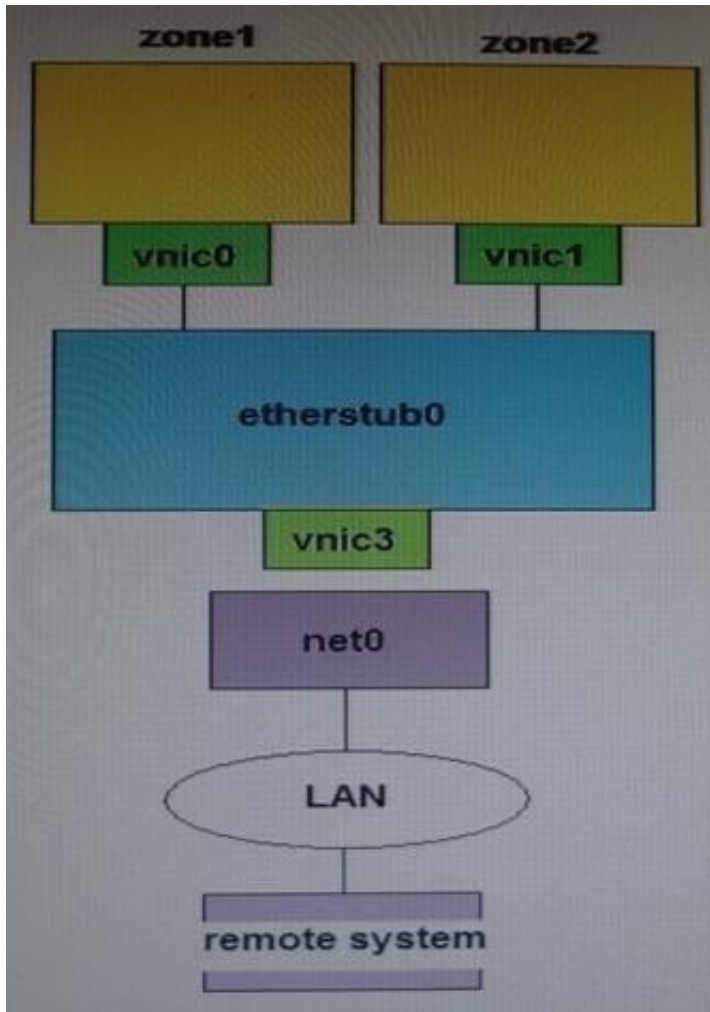
You must configure your server to use IPMP with probe based failure detection enabled. Which statement is a valid constraint or feature that applies to this requirement?

- A. Link-based detection is supported only on Genetic Land Driver version 2 (GLDv2)-complaint NICs.
- B. GLDv2 NICs are not supported in Oracle Solaris 11.
- C. GLDv3 NICs configured for link based detection by default.
- D. You must first disable link based detection before configuring probe-based failure detection.

Correct Answer: D

---

### QUESTION 3



Consider the following commands and output on the local server:

```
root@sol11-server:~# dladm show-phys
LINK          MEDIA        STATE SPEED  DUPLEX  DEVICE
net0          Ethernet    up    1000  full   nge0
net1          Ethernet    up    100   full   nge1

zone1/etherstub0 vnic0 - 192.168.2.210
zone2/etherstub0 vnic1 - 192.168.2.220
etherstub0 vnic3 - 192.168.2.200
net0 - 192.168.1.200
remote-system 192.168.1.1
```

Also, consider the following route table entry on a remote system:

```
192.168.2.0 192.168.1.200 UG 1 1
```

You must configure a virtual switch to connect over net0 to the remote system. Select two commands that complete the configuration.

A. `ipadm set-ifprop p forwarding=on net0`

B. `ipadm set-prop p forwarding=on vnic2`



- C. ipacim set-prop p forwarding=on ipv4
- D. ipadm set-prop p routing=on net0
- E. routeadm ue ipv4-forwarding
- F. routeadm ue ipv4-routing

Correct Answer: BF

---

#### QUESTION 4

You are the administrator of an Oracle Solaris 11 AI server. You added a client. Then you created a custom manifest, custom criteria, and a custom profile for the client. You made an error in the package path within the custom manifest. When will the error appear?

- A. when the manifest is checked during client preinstall
- B. when the manifest is used during client install
- C. when the manifest is updated on the AI server
- D. when the manifest is added to the AI server

Correct Answer: D

---

#### QUESTION 5

Your company requires all nonglobal zones to have a limit on the number of processes. The policy is designed to prevent runaway processes from impacting the global zone and other nonglobal zones. To set a limit on processes, you set the

following controls:

rctl:

name: zone.max-processes

value: (priv=privileged,limit=1000,action=none)

rctl:

name: zone.max-lwps

value: (priv=privileged,limit=5000,action=deny)

You must now enable system logging for the zone.max-processes resource control to record when the limit is exceeded. Which command enables system logging for a resource control?

- A. priocntl
- B. zonecfg



C. rctladm

D. prctl

Correct Answer: C

[1Z0-822 VCE Dumps](#)

[1Z0-822 Exam Questions](#)

[1Z0-822 Braindumps](#)