



# 1Z0-821<sup>Q&As</sup>

Oracle Solaris 11 System Administration

**Pass Oracle 1Z0-821 Exam with 100% Guarantee**

Free Download Real Questions & Answers **PDF** and **VCE** file from:

<https://www.passapply.com/1z0-821.html>

100% Passing Guarantee  
100% Money Back Assurance

Following Questions and Answers are all new published by Oracle  
Official Exam Center

-  **Instant Download** After Purchase
-  **100% Money Back** Guarantee
-  **365 Days** Free Update
-  **800,000+** Satisfied Customers





### QUESTION 1

In Oracle Solaris 11, where is the Oracle default repository located?

- A. /var/spool/pkg
- B. http://localhost/solaris
- C. http://pkg.oracle.com/solaris/release
- D. http://www.oracle.com/Solaris/download
- E. /cdrom/cdrom0

Correct Answer: C

### REPOSITORY DESCRIPTION

\*

<http://pkg.oracle.com/solaris/release> The default repository for new Oracle Solaris 11 users. This repository receives updates for each new release of Oracle Solaris. Significant bug fixes, security updates, and new software may be provided at any time for users to install at Oracle's discretion.

\*<https://pkg.oracle.com/solaris/support>

Provides bug fixes and updates. Accessible with a current support contract from Oracle.

\*

<https://pkg.oracle.com/solaris/dev> Provides the latest development updates. Accessible to users enrolled in the Oracle Solaris 11 Platinum Customer Program and approved Oracle Partners.

---

### QUESTION 2

You are the administrator of a system that a large number of developers work on. These developers crash the system, and their applications, on a regular basis.

What command would you use to configure where the core files are saved?

- A. savecore
- B. dumpadm
- C. svcadm
- D. proc
- E. coreadm

Correct Answer: E

The coreadm command is used to specify the name and location of core files produced by abnormally-terminating



processes.

---

### QUESTION 3

A datalink can best be described as\_\_\_\_\_.

- A. a driver for a Network Interface Card
- B. the software connecting the Internet Layer and the Physical Layer
- C. a device that provides Classless Inter-Domain Routing
- D. a logical object used for IP Multipathing

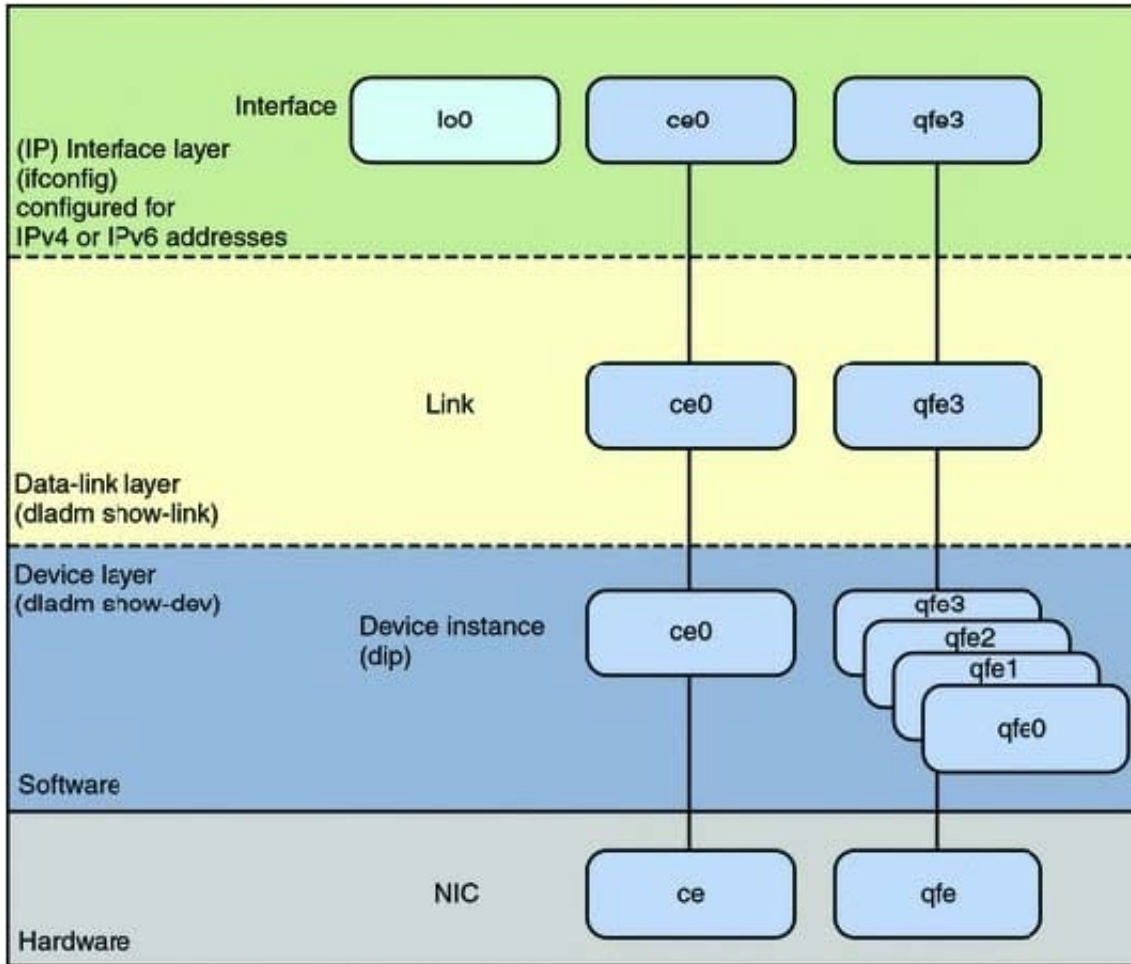
Correct Answer: D

The command dladm is used to configure data-link interfaces in Sun Solaris. A configured data-link is represented in the system as interface that can be used for TCP/IP. Each data-link relies on either a single network device or an link aggregation device to send and receive packets.

Network interfaces provide the connection between the system and the network. These interfaces are configured over data links, which in turn correspond to instances of hardware devices in the system.

In the current model of the network stack, interfaces and links on the software layer build on the devices in the hardware layer. More specifically, a hardware device instance in the hardware layer has a corresponding link on the data-link layer and a configured interface on the interface layer. This one-to-one relationship among the network device, its data link, and the IP interface is illustrated in the figure that follows.

Network Stack Showing Network Devices, Links, and Interfaces:



#### QUESTION 4

user1 has a disk quota of 0.5 MB. The user attempts to run the following command on a file called .bigfile that is 495 KB in size:

```
cp bigfile /tmp
```

Will the command execute successfully?

- A. Yes. Quotas do not include any of the system files such as /tmp /swap.
- B. Yes. The quota is set at the directory level, not the user level.
- C. No. The command will fail because it will cause him to exceed his user quota.
- D. No. A user cannot place files into the /tmp directory.

Correct Answer: A

UFS quotas enable system administrators to control the size of file systems. Quotas limit the amount of disk space and the number of inodes, which roughly corresponds to the number of files, that individual users can acquire. For this reason, quotas are especially useful on the file systems where user home directories reside. As a rule, the public and /tmp file systems usually do not benefit significantly by establishing quotas.



Note: The cp command copies files and directories.

---

### QUESTION 5

The /usr/bin/p7zip file that is part of the p7zip package has been overwritten. This server is critical to production and cannot be rebooted. Identify the command that would restore the file without requiring a reboot.

- A. pkg verify p7zip
- B. pkg fix p7zip
- C. pkg rebuild-index p7zip
- D. pkg revert p7zip
- E. pkg uninstll p7zip
- F. pkg install p7zip
- G. pkg install --no-backup-be p7zip
- H. pkg refresh p7zip

Correct Answer: D

Use the pkg revert command to restore files to their as-delivered condition.

[Latest 1Z0-821 Dumps](#)

[1Z0-821 VCE Dumps](#)

[1Z0-821 Exam Questions](#)