



1Z0-151^{Q&As}

Oracle Fusion Middleware 11g: Build Applications with Oracle Forms

Pass Oracle 1Z0-151 Exam with 100% Guarantee

Free Download Real Questions & Answers **PDF** and **VCE** file from:

<https://www.passapply.com/1z0-151.html>

100% Passing Guarantee
100% Money Back Assurance

Following Questions and Answers are all new published by Oracle
Official Exam Center

-  **Instant Download** After Purchase
-  **100% Money Back** Guarantee
-  **365 Days** Free Update
-  **800,000+** Satisfied Customers





QUESTION 1

To avoid overloading the database during busy times, you decide to restrict the queries that are executed on the Orders form so that users query by either Order ID or Customer ID during these times. Which trigger is most appropriate for the code to enforce this restriction?

- A. When-New-Form-instance
- B. When-New-Block-instance
- C. On-Query
- D. Pre-Query E. Post-Query

Correct Answer: D

About controlling queries with Pre-Query and Post-Query triggers

The Pre-Query and Post-Query triggers allow control over query processing. They can be defined at the form or block level. Most often, attach them to specific blocks to control the query functionality of those blocks.

The Pre-Query trigger fires just before Form Builder issues the SELECT statement to the database, after the operator has defined the example record by entering query criteria in Enter Query mode.

Inside a Pre-Query trigger, the example record defined by the query criteria is the current record. This means that trigger code can read and set the values of items in the example record using standard `:block_name.item_name` syntax.

A Pre-Query trigger can be used to disallow query conditions that might be invalid. When a form is in Enter Query mode, normal validation is suspended and no validation triggers fire as they do in Normal mode.

The Pre-Query trigger thus allows you to verify that any values entered by the operator are valid query conditions.

When invalid query conditions have been entered, you can abort the query by raising the `FORM_TRIGGER_FAILURE` built-in exception in the Pre-Query trigger.

You can also call `SET_BLOCK_PROPERTY` to modify the block's WHERE and ORDER BY clauses from within the Pre-Query trigger, to further restrict or order the records the query will retrieve.

QUESTION 2

The `Credit_Rating` item in the Customers block of an Order Entry form must be restricted to three possible values:



Good, Poor, or Null (the latter value indicates that the credit rating has not been determined). Order entry clerks must be able to update this item to any of the preceding three values.

You want to change the item to a check box labeled "Credit Risk" that should be selected if the customer has poor credit, the check box should not be selected if the customer's credit rating is good or undetermined.

Label	Credit Risk
Access Key	
Implementation Class	
Value when Checked	Bad
Value when Unchecked	Good
Check Box Mapping of Other Values	Unchecked
Popup Menu	<Null>
Navigation	
Keyboard Navigable	Yes
Mouse Navigate	Yes
Previous Navigation Item	<Null>
Next Navigation Item	<Null>
Data	
Data Type	Char
Data Length Semantics	BYTE
Maximum Length	4
Initial Value	

You change the item type to Checkbox, set other properties as shown in the Exhibit, and then run your form and insert three records: two with good credit and the check box deselected, and one with poor credit and the check box selected. You commit the data and query the records, with the following result set:

CUST_ID	FIRST_NAME	LAST_NAME	CREDIT_RATING
10001	Gamer	Pam	
1002	Wallace	Sheila	
1003	Maslen	Glenn	Poor

The first two records show an undetermined credit rating, although your intention was to set the value to Good for these customers. What change must you make in the properties of the Credit_Rating item to enable values of Good, Poor, and Null to be entered?

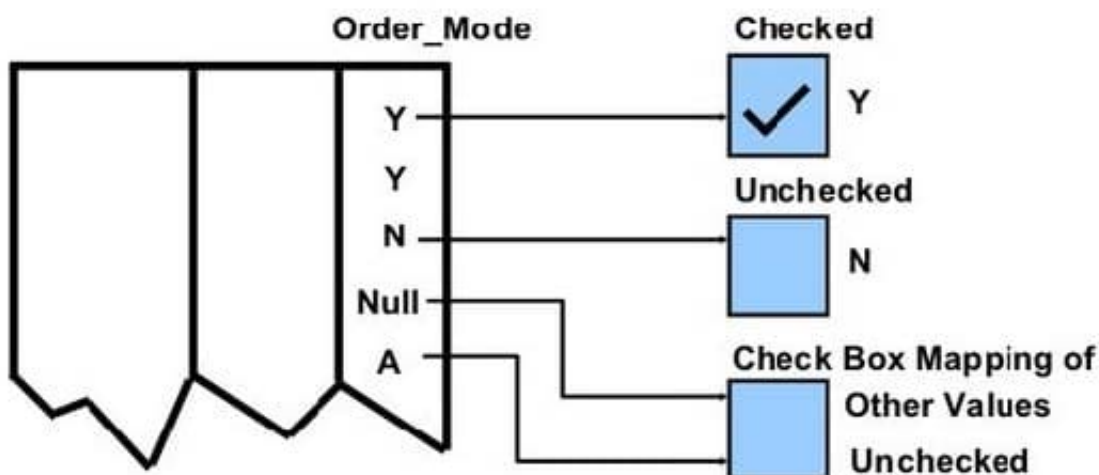
A. Change the initial Value property to Good.



- B. Change the Check Box Mapping of Other Values property to Not Allowed.
- C. Change the initial Value property to Good and the Value When Unchecked property to Null.
- D. Change the initial Value property to Good and the Check Box Mapping of Other Valued property to Null.
- E. Change the initial Value property to Good and the Check Box Mapping of Other Values property to checked.
- F. Change the item type. It is not appropriate to use a check box to enable entry and update of more than two values in an item.

Correct Answer: E

Check Box Mapping of Other Values



Incorrect answers:

F: A check box is not limited to two values.

QUESTION 3

When you plan to use a toolbar canvas, you should allow room for it on the content canvas so that items on the canvas are not obscured.

- A. True
- B. False



Correct Answer: B

Note: Toolbar canvases can contain buttons and other GUI elements, and allow you to provide a common interface for all canvases displayed within a window. You can associate the toolbar canvas with the window shared by the content canvases, and it will display. The location at which the toolbar displays can be controlled by the type of toolbar canvas used. A vertical toolbar canvas is used to display the toolbar along the left or right edge of the window.

QUESTION 4

The Orders form has three blocks: Orders, Orders_Items, and inventories. It also has a button labeled Next Block with a When-Pressed trigger.

```
IF :SYSTEM.cursor_block = '\\orders\\' THEN  
GO_BLOCK('\\order_items\\');  
ELSIF :SYSTEM.cursor_block = '\\order_items\\' THEN  
GO_BLOCK('\\inventories\\');  
ELSIF :SYSTEM.cursor_block = '\\inventories\\' THEN  
GO_BLOCK (\\orders\\);  
END IF;
```

The button is not functioning correctly; it does not cause navigation to occur. What must you do to fix the issue?

- A. Change all occurrences of :SYSTEM.cursor_block to :SYSTEM.trigger_block.
- B. Use system variables in the GO_BLOCK statements.
- C. Change the block names to uppercase in the GO_BLOCK statements.
- D. Change the block names to uppercase in the condition (IF ...THEN) statements.
- E. instead of naming the block to navigate to, replace the GO_BLOCK built-in with NEXT_BLOCK
- F. Move the code to a PL/SQL program unit.

Correct Answer: A

SYSTEM.trigger_block: The block that the input focus was in when the trigger initially fired.

Note: Uses for Trigger Focus Variables The variables for locating trigger focus are useful for navigating back to the initial block, record, and item after the trigger code completes. For example, the trigger code may navigate to other blocks, records, or items to perform actions upon them, but after the trigger fires, you may want the cursor to be in the same item instance that it was in originally. Because the navigation in the trigger occurs behind the scenes, the user will not even be aware of it.



QUESTION 5

The Orders form, you want to enable users to use Microsoft Excel to create and print an invoice for the customer. The file should be created on the user's computer so that it can be printed with the local printer.

Which WebUtil package would you use to implement this requirement?

- A. CLIENT_GET_FILE_NAME
- B. CLIENT_HOST
- C. CLIENT_OLE2
- D. CLIENT_TEXT_IO
- E. CLIENT_Win_API
- F. WEBUTIL_FILE
- G. WEBUTIL_UTIL

Correct Answer: C

Note: Performing OLE Automation on the Client You can use any OLE2 package on the client by prefixing it with CLIENT_. You can see the list of the OLE2 package procedures and functions in the Forms Builder ObjectNavigator under the Built-in Packages node.

Note 2: With WebUtil, you can do the following on the clientmachine: open a file dialog box, read and write image or text files, execute operating system commands, perform OLE automation, and obtain information about the client machine

[1Z0-151 PDF Dumps](#)

[1Z0-151 Practice Test](#)

[1Z0-151 Study Guide](#)