



050-696^{Q&As}

Foundations of Novell Open Enterprise Server NetWare

Pass Novell 050-696 Exam with 100% Guarantee

Free Download Real Questions & Answers **PDF** and **VCE** file from:

<https://www.passapply.com/050-696.html>

100% Passing Guarantee
100% Money Back Assurance

Following Questions and Answers are all new published by Novell
Official Exam Center

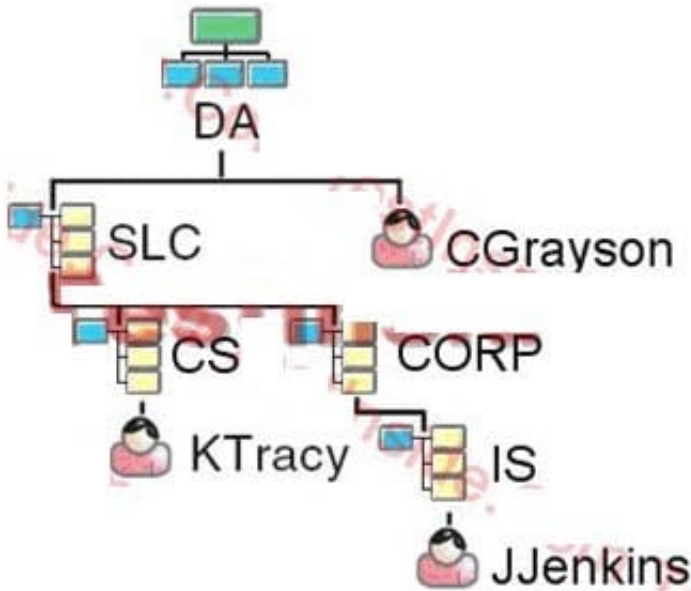
-  **Instant Download** After Purchase
-  **100% Money Back** Guarantee
-  **365 Days** Free Update
-  **800,000+** Satisfied Customers





QUESTION 1

Click the Exhibit button to begin.



Your current context is .CORP.SLC. D

- A. What is the relative distinguished name of the Jjenkins user object?
- B. Jjenkins
- C. Jjenkins.IS
- D. IS.Jjenkins
- E. Jjenkins.IS.CORP
- F. CORP.IS.Jjenkins
- G. Jjenkins.IS.CORP.SLC
- H. Jjenkins.IS.CORP.SLC. DA

Correct Answer: B

QUESTION 2

You're configuring location-based printing with iPrint. You've uploaded your map image files, now you need to use the iPrint Map Designer tool to create printer locations. If the IP address of your iPrint server is 10.200.200.1, which URL would you enter in your web browser to access this tool?



- A. <http://10.200.200.1/nps/iManager.html>
- B. <http://10.200.200.1:631/lppdocs/Maptool.htm>
- C. <http://10.200.200.1:8008/lppdocs/Maptool.htm>
- D. <http://10.200.200.1:631/lppdocs/MapDesigner.htm>

Correct Answer: B

QUESTION 3

Which command can be used to require a user to authenticate as an eDirectory user before allowing them to enter commands at the server console?

- A. LOCK CONSOLE
- B. SECURE CONSOLE
- C. LOAD SCRSAVER.NLM
- D. LOAD CONSOLELOCK.NLM -EDIR

Correct Answer: C

QUESTION 4

You're designing your company's eDirectory tree. You've named the tree WIDGETCORP-TREE. Below the tree root, you want to create six Organizational Units that represent each American state and Canadian province where your company has an office. Beneath those Organization Units, you want to create additional Organizational Units that represent each location's functional groups. Each office has its own network administrator. To ease administration, you want to create an Admin User object within each location's Organizational Unit. Will this design work?

- A. Yes, all eDirectory rules have been observed.
- B. No, hyphens aren't allowed in eDirectory tree names.
- C. No, User objects can't reside within Organization Units.
- D. No, Organizational Units can't reside directly below the tree root.
- E. No, you can't use Organizational Units to represent geographic locations.
- F. No, you can't create Organizational Units within other Organizational Units.
- G. No, you can't mix Organizational Units that represent geographic locations with Organization Units that represent functional groups.

Correct Answer: D



QUESTION 5

Click on the tab you would use to enable the Novell Client to send messages to other NetWare users.

Hot Area:

Item 47 of 66 Time Remaining: 1:04:51

Point and Click

Click the Point and Click button to begin.

Click on the tab you would use to enable the Novell Client to send messages to other NetWare users.

Point and Click

Novell Client Configuration

LDAP Contextless Login	Single Sign-on	DHCP Settings
Default Capture	Protocol Preferences	
DSCAT Contextless Login	Update Agent	
Service Location	Advanced Settings	Advanced Menu Settings
Client	Location Profiles	Advanced Login

First network drive:

Preferred server:

Preferred tree:

Client version:

Support pack:

Tree: Name context:

Click Next (or More) to continue.

Correct Answer:



Item 47 of 66 Time Remaining: 1:04:51

Point and Click

Click the Point and Click button to begin.

Click on the tab you would use to enable the Novell Client to send messages to other NetWare users.

Point and Click

Novell Client Configuration

LDAP Contextless Login	Single Sign-on	DHCP Settings
Default Capture	Protocol Preferences	
DSCAT Contextless Login	Update Agent	
Service Location	Advanced Settings	Advanced Menu Settings
Client	Location Profiles	Advanced Login

First network drive:

Preferred server:

Preferred tree:

Client version:

Support pack:

Tree: Name context:

Click Next (or More) to continue.

[Latest 050-696 Dumps](#)

[050-696 PDF Dumps](#)

[050-696 Study Guide](#)