



050-696^{Q&As}

Foundations of Novell Open Enterprise Server NetWare

Pass Novell 050-696 Exam with 100% Guarantee

Free Download Real Questions & Answers **PDF** and **VCE** file from:

<https://www.passapply.com/050-696.html>

100% Passing Guarantee
100% Money Back Assurance

Following Questions and Answers are all new published by Novell
Official Exam Center

-  **Instant Download** After Purchase
-  **100% Money Back** Guarantee
-  **365 Days** Free Update
-  **800,000+** Satisfied Customers





QUESTION 1

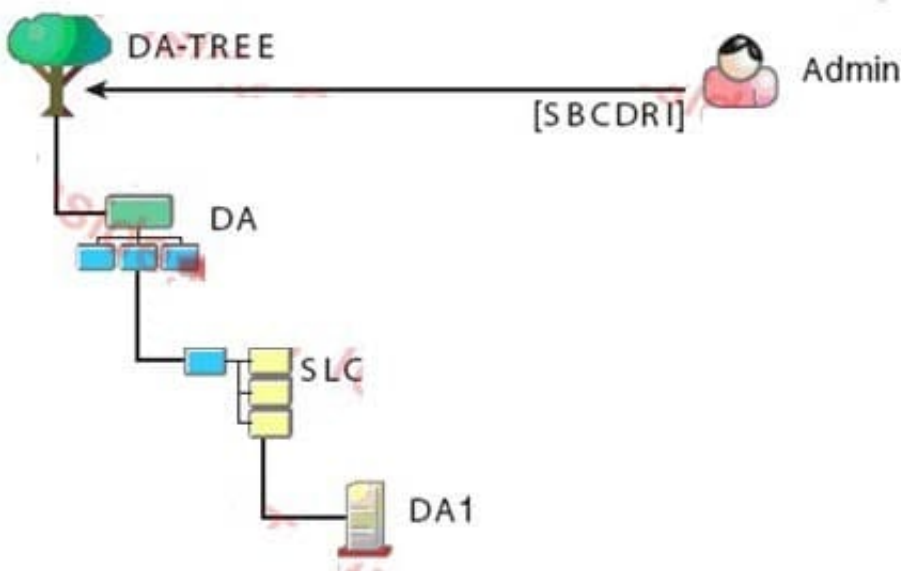
You've just created an NSS volume on your OES NetWare server named SHARED. Your server name is WIDGET1. What name will be automatically assigned to the object for this volume in the eDirectory tree?

- A. SHARED
- B. WIDGET1_SHARED
- C. WIDGET1~SHARED
- D. WIDGET1#SHARED
- E. WIDGET1-SHARED
- F. NSS volumes aren't represented by eDirectory objects.

Correct Answer: B

QUESTION 2

Click the Exhibit button to begin.



When you installed the eDirectory tree, your Admin user object was automatically assigned all entry rights to the tree root. What rights does Admin have to the DA1 server object?

- A. Browse
- B. Supervisor



- C. Supervisor, Browse, Delete, Rename
- D. Browse, Create, Delete, Rename
- E. Browse, Create, Delete, Rename, Inheritable
- F. Supervisor, Browse, Create, Delete, Rename, Inheritable
- G. Admin has no rights.

Correct Answer: C

QUESTION 3

You've just installed a NetWare 6.5 server named WIDGET1 into the WIDGETCORP-TREE. During installation, you created three server volumes:

SYS, DATA, and SHARED.

What is the default name that will be assigned to these volumes' associated Volume objects in the WIDGETCORP-TREE eDirectory tree?

- A. SYS, DATA, and SHARED
- B. SYS_1, DATA_1, and SHARED_1
- C. SYS_WIDGET1, DATA_WIDGET1, and SHARED_WIDGET1
- D. WIDGET1_SYS, WIDGET1_DATA, and WIDGET1_SHARED
- E. SYS_WIDGETCORP, DATA_WIDGETCORP, and SHARED_WIDGETCORP
- F. WIDGETCORP_SYS, WIDGETCORP_DATA, and WIDGETCORP_SHARED

Correct Answer: D

QUESTION 4

Due to some older applications that are still used by your company, you have configured your NetWare server to provide printing services using Queue-Based Printing. When you implemented your printing system, you configured your print queue to be the QUEUES directory on your DATA volume. After several months, you notice that volume DATA frequently runs out of disk space. You discover that print jobs, after they leave the print queue, remain in the file system as deleted files for some time until they are purged.

Which directory attribute could you assign to the QUEUES directory to force print job files to be immediately removed from the system as soon as they are printed?

- A. H



- B. P
- C. Dc
- D. Di
- E. Ic
- F. Sy

Correct Answer: B

QUESTION 5

Which term describes they the way rights granted to a container object flow down to all objects within the container?

- A. Filtering
- B. Inheritance
- C. Replication
- D. Partitioning
- E. Synchronization
- F. Distributed Administration

Correct Answer: B

[Latest 050-696 Dumps](#)

[050-696 VCE Dumps](#)

[050-696 Practice Test](#)