



000-188^{Q&As}

IBM WebSphere Lombardi Edition V7.2, BPM Program Management

Pass IBM 000-188 Exam with 100% Guarantee

Free Download Real Questions & Answers **PDF** and **VCE** file from:

<https://www.passapply.com/000-188.html>

100% Passing Guarantee
100% Money Back Assurance

Following Questions and Answers are all new published by IBM Official Exam Center

-  **Instant Download** After Purchase
-  **100% Money Back** Guarantee
-  **365 Days** Free Update
-  **800,000+** Satisfied Customers





QUESTION 1

The following is an example of a user story: s a hiring manager, I need a web form to enter results of my interview with the candidate. If I decided not to hire the candidate, I need to email the? s a hiring manager, I need a web form to enter results of my interview with the candidate. If I decided not to hire the candidate, I need to email the recruiter so that he/she can call the candidate. If I decided to hire the candidate, I need to open an MS Word template and draft an offer for employment? What feedback should the program manager give on the user story?

- A. It is a poorly written user story because it specifies implementation details.
- B. It is poorly written user story because it documents what the user needs to do.
- C. It is a good user story because it leaves out all implementation details as to how the work will actually get done.
- D. It is a good user story because it maintains a clear definition of what the hiring manager needs to accomplish and why.

Correct Answer: A

QUESTION 2

What is the purpose of Performance Data Warehouse?

- A. View reports
- B. Start new process instances
- C. Track process performance data
- D. Analyze process performance data

Correct Answer: C

QUESTION 3

What are the three interfaces provided by the Process Designer?

- A. Designer, Optimizer, Inspector
- B. Designer, Optimizer, Coach Designer
- C. Process Portal, Optimizer, Inspector
- D. Process Portal, Optimizer, Coach Designer

Correct Answer: A

QUESTION 4



A program manager is helping an organization optimize their BPM development practices. After talking with the development leads of a number of projects, the program manager suspects that there is a lot of duplication of effort between the projects. What is the first thing the program manager should recommend to reduce this duplication of efforts?

- A. Create an enterprise model.
- B. Create a catalog of service interfaces.
- C. Create a common taxonomy of BPM projects.
- D. Create a centralized repository for all BPM artifacts.

Correct Answer: C

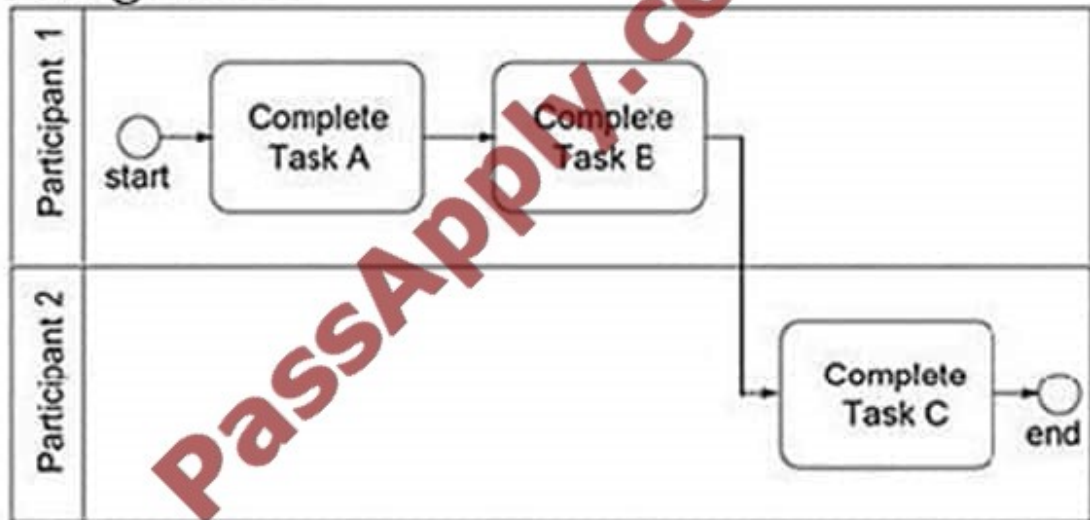
QUESTION 5

Early in process modeling, the process owner explains how a particular part of the process model diagram below should function. Both Task A and B should be accomplished prior to Task C. Task A and B do not have any specific order in which they must be accomplished. Task C is also completed by a different group than the participant assigned to Task A and

- A. Which of the following diagrams implement the scenario according to best practice?

C. A.

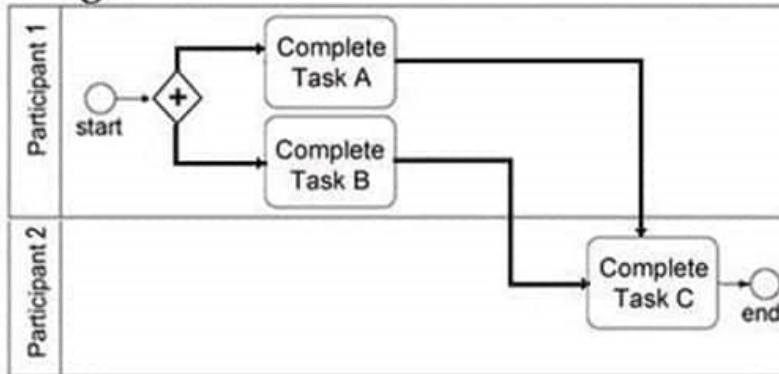
Diagram 1





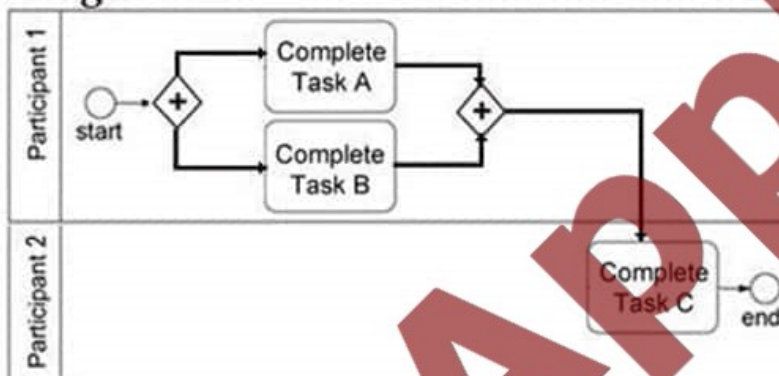
B.

Diagram 2



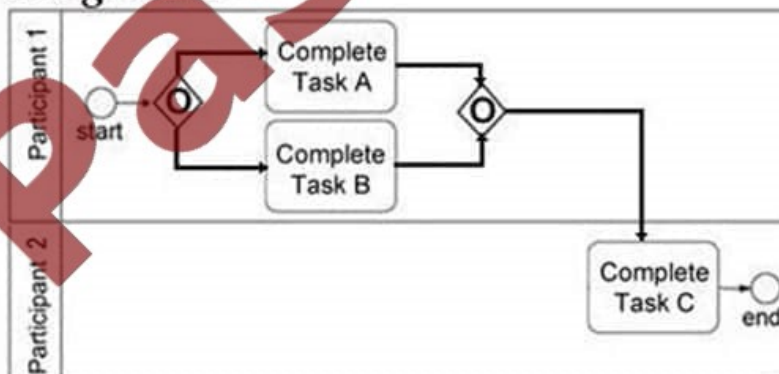
C.

Diagram 3



D.

Diagram 4





B. Exhibit A

C. Exhibit B

D. Exhibit C

E. ExhibitD

Correct Answer: C

[000-188 PDF Dumps](#)

[000-188 Practice Test](#)

[000-188 Braindumps](#)



To Read the [Whole Q&As](#), please purchase the [Complete Version](#) from [Our website](#).

Try our product !

100% Guaranteed Success
100% Money Back Guarantee
365 Days Free Update
Instant Download After Purchase
24x7 Customer Support
Average 99.9% Success Rate
More than 800,000 Satisfied Customers Worldwide
Multi-Platform capabilities - [Windows](#), [Mac](#), [Android](#), [iPhone](#), [iPod](#), [iPad](#), [Kindle](#)

We provide exam PDF and VCE of Cisco, Microsoft, IBM, CompTIA, Oracle and other IT Certifications. You can view Vendor list of All Certification Exams offered:

<https://www.passapply.com/allproducts>

Need Help

Please provide as much detail as possible so we can best assist you.
To update a previously submitted ticket:



 <p>One Year Free Update Free update is available within One Year after your purchase. After One Year, you will get 50% discounts for updating. And we are proud to boast a 24/7 efficient Customer Support system via Email.</p>	 <p>Money Back Guarantee To ensure that you are spending on quality products, we provide 100% money back guarantee for 30 days from the date of purchase.</p>	 <p>Security & Privacy We respect customer privacy. We use McAfee's security service to provide you with utmost security for your personal information & peace of mind.</p>
---	---	--

Any charges made through this site will appear as Global Simulators Limited.
All trademarks are the property of their respective owners.
Copyright © passapply, All Rights Reserved.