



2V0-642^{Q&As}

VMware Certified Professional 6 - Network Virtualization 6.2 Exam

Pass VMware 2V0-642 Exam with 100% Guarantee

Free Download Real Questions & Answers **PDF** and **VCE** file from:

<https://www.passapply.com/2v0-642.html>

100% Passing Guarantee
100% Money Back Assurance

Following Questions and Answers are all new published by VMware
Official Exam Center

-  **Instant Download** After Purchase
-  **100% Money Back** Guarantee
-  **365 Days** Free Update
-  **800,000+** Satisfied Customers





QUESTION 1

Your environment has two sites designated as Site A and Site B. Each site has its own vCenter Server instance with NSX installed and configured in standalone mode. You are migrating the environment to Cross vCenter and have already promoted Site A to the Primary role. What action must be taken before the NSX Manager at Site B can be changed to Secondary?

- A. Migrate the Site B Controllers to Site A.
- B. Convert the Site B Controllers to Universal Controllers.
- C. Remove any logical switches from the Site B NSX Controller.
- D. Delete the Controllers at Site B.

Correct Answer: D

QUESTION 2

Which is required to support unicast mode in NSX?

- A. Hardware VTEP
- B. Distributed Logical Router
- C. NSX Controller
- D. NSX Edge

Correct Answer: C

QUESTION 3

Which load balancing algorithm is only available on a vSphere Distributed Switch?

- A. Route Based on Source MAC Hash
- B. Route Based on Originating Virtual Port
- C. Route Based on IP Hash
- D. Route Based on Physical NIC Load

Correct Answer: D

QUESTION 4

A Service Provider is using VMware vCloud Director with VMware vCloud Networking and Security (VCNS) on vSphere. Which two products will be impacted by the upgrade of VCNS to VMware NSX? (Choose two.)



- A. ESXi hosts
- B. NSX Controller Cluster
- C. vShield Manager
- D. vCenter Server

Correct Answer: AC

QUESTION 5

A network administrator has been tasked with deploying a 3-tier application across two data centers. Tier-1 and tier-2 will be located in Datacenter-A and tier-3 will be located in Datacenter-B.

Which NSX components are needed to make this deployment functional?

- A. A universal transport zone deployed with a universal distributed logical router (UDLR), a universal logical switch and two local logical switches connected to the UDLR.
- B. A universal transport zone deployed with a universal distributed logical router (UDLR), two universal logical switches and a single logical switch connected to the UDLR.
- C. A universal transport zone deployed with a universal distributed logical router (UDLR) and three universal logical switches connected to the UDLR.
- D. A universal transport zone, a universal distributed logical router (UDLR) and three local switches in each data center connected to the UDLR.

Correct Answer: C

QUESTION 6

Which two functions are provided by VMkernel ports? (Choose two.)

- A. VXLAN Port Configuration
- B. vSphere vMotion
- C. ESXi Host Management
- D. 802.1Q VLAN tagging

Correct Answer: BC

QUESTION 7

Which highly available Edge design would provide high bandwidth and isolation to four application networks?

- A. Four Distributed Routers (standalone mode) with one Edge Services Gateway in Active/Standby mode.



- B. One Edge Services Gateway in ECMP mode.
- C. One distributed Router (in HA mode) with two Edge Services Gateways in ECMP mode.
- D. Four Distributed Routers (in HA mode) with one Edge Services Gateway in Active/Standby mode.

Correct Answer: C

QUESTION 8

An NSX administrator determines that routing adjacency a NSX Edge device and a Top Of Rack L3 switch CANNOT be established. Which two logs would be the most useful in resolving this issue? (Choose two.)

- A. NSX Manager Logs
- B. Edge Services Gateway logs
- C. Distributed Router Logs
- D. NSX Controller logs

Correct Answer: BD

QUESTION 9

Which three options are true about NSX logical bridges? (Choose three.)

- A. A logical bridge configured for HA uses a 15 second heartbeat by default to detect failure.
- B. A logical bridge configured for HA uses (BFD) Bi-Directional Forwarding to detect a failure in a minimum of one second.
- C. A logical bridge on the DLR supports VXLAN to VLAN bridging.
- D. A logical bridge forwards traffic through the control VM.
- E. A logical bridge forwards traffic through the hypervisor.

Correct Answer: ACE

QUESTION 10

Which NSX routing protocols offers the most flexible policy control when peering with the physical environment?

- A. BGP
- B. OSPF
- C. ISIS
- D. EIGRP



Correct Answer: A

QUESTION 11

What are two requirements of the network infrastructure to the access layer? (Choose two)

- A. IPv4 connectivity among ESXi hosts provided by a spine-leaf network design.
- B. IPv4 connectivity among ESXi hosts.
- C. Increased MTU if the virtual machines are using the default MTU size of 1500.
- D. A Redundant, Layer 3, Top-of-Rack network design to provide high availability to ESX hosts.

Correct Answer: BC

QUESTION 12

A user has configured a specific distributed firewall rule preventing VM-A (172.16.10.11) on the Web-Logical Switch to communicate to VM-B (172.16.20.11), running on the same switch. After the changes, the user is still able to communicate to VM-A from VM-B.

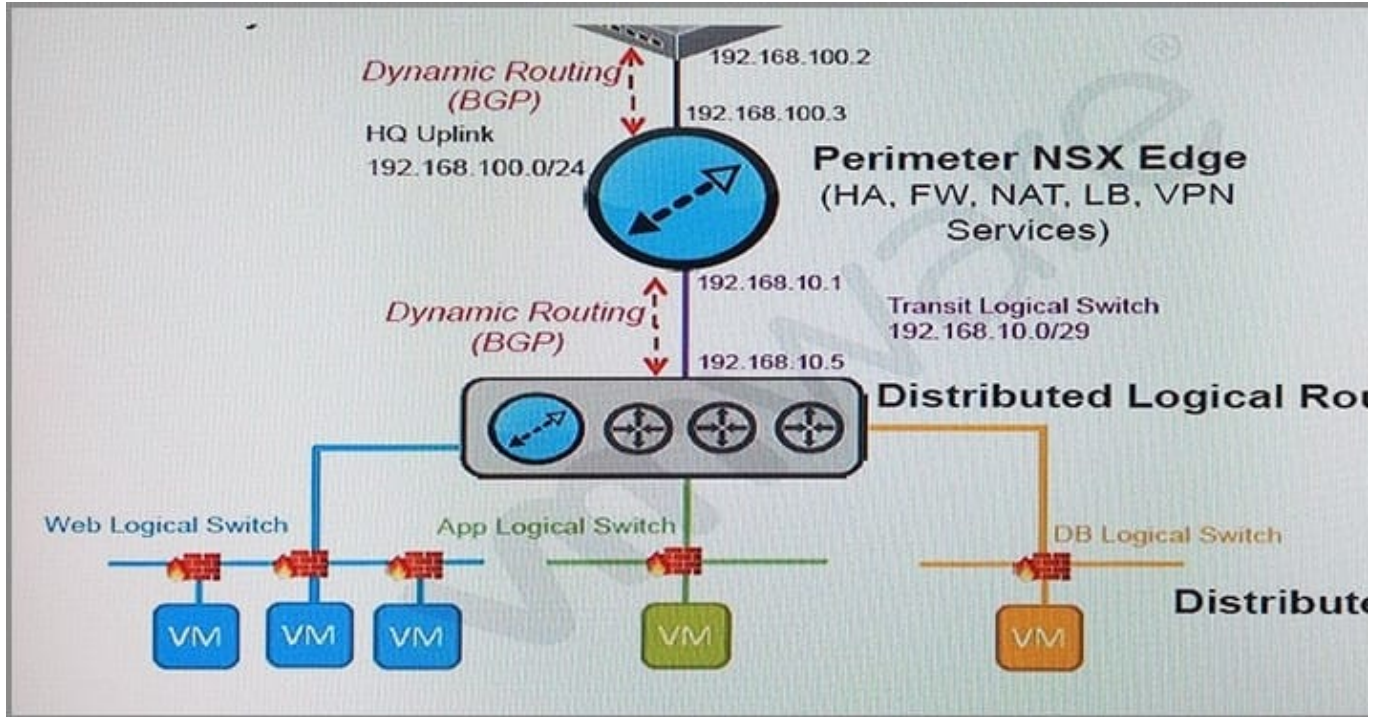
To debug this anomaly, the user will need to obtain logs from which component?

- A. The Distributed Logical Router
- B. The Edge Services Gateway
- C. The appropriate ESXi Hosts(s)
- D. The appropriate NSX Controller(s)

Correct Answer: C

QUESTION 13

An administrator is attempting to troubleshoot a routing issue between the Edge Services Gateway (ESG) and the Distributed Logical Router (DLR).



Based on the exhibit, which method CANNOT be used to troubleshoot the issue?

- A. SSH session into 192.168.100.3 on the ESG.
- B. Console session into the ESG.
- C. Console session into the DLR.
- D. SSH session into 192.168.10.5 on the DLR.

Correct Answer: D

QUESTION 14

How is high availability of the NSX Edge Gateway accomplished?

- A. HA Application Monitoring on the Edge Gateway sends a heartbeat to the ESXi host.
- B. VMware Tools on the Edge Gateway sends a heartbeat to the ESXi host.
- C. The Edge appliance sends a heartbeat through an uplink interface.
- D. The Edge appliance sends a heartbeat through an internal interface.

Correct Answer: D

QUESTION 15

What can be enabled on the vSphere Distributed Switch to monitor IP packets that are passing through a distributed



port group?

- A. Traffic Marking
- B. TraceFlow
- C. Traffic Filtering
- D. NetFlow

Correct Answer: D

[2V0-642 Practice Test](#)

[2V0-642 Study Guide](#)

[2V0-642 Exam Questions](#)